

## **Embouts Inox pour tuyaux**

Série standard, SAE J516 - ISO 12151

Série Interlock

## **Raccords à bague et adaptateurs inox**

## **Coupleurs inox**





Un groupe familial de PME complémentaires expertes dans les domaines de l'hydraulique.

Notre savoir-faire et nos expériences individuelles nous permettent de proposer une offre globale de qualité et de couvrir tous les métiers et marchés de l'hydraulique en France et à l'étranger.

## Les chiffres clés



**30M€**  
de CA en 2018



**200**  
Collaborateurs



**6**  
Sites de  
production



La fabrication



Le Négoce



Le dépannage  
au comptoir et  
sur site



Équipes conseil  
& technique



Stock  
permanent



Livraison  
rapide

## Nos activités

## Nos moyens



### LE NÉGOCE

Nos relations directes avec les usines nous permettent d'importer, au meilleur rapport qualité/prix, des composants que nous commercialisons aux professionnels du secteur.



### LIVRAISON RAPIDE

Départs du lundi au jeudi jusqu'à 17 h, le vendredi jusqu'à 16 h.  
Livraison sous 24/48 heures.



### LA FABRICATION

Conception et réalisation de centrales et systèmes hydrauliques et pneumatiques.  
Fabrication de :

- Réservoirs standards et suivant plan.
- Vérins simple et double effet standards et sur-mesure, hydrauliques et pneumatiques.
- Tubes cintrés et flexibles équipés.
- Flexibles, tuyaux et tubes PTFE et Inox.
- Systèmes de filtration et de dépollution.
- Equipements pour la formation en hydraulique.



### ÉQUIPES CONSEIL & TECHNIQUE

Des équipes de commerciaux à votre écoute pour vous conseiller dans le choix de vos composants.



### STOCK PERMANENT

Un stock permanent de plus de 5.000.000€ de composants les plus couramment utilisés dont 5.000 moteurs gerotor.

## Nos métiers, nos marques





**EMBOUS A SERTIR INOX POUR TUYAUX  
ISO 12151 - SAE J 516  
Page 3**



**RACCORDS ET ADAPTEURS INOX  
JIC SAE - Iso 8434-2  
Page 121**



**EMBOUS A SERTIR INOX POUR TUYAUX  
INTERLOCK  
Page 47**



**RACCORDS ET ADAPTEURS INOX  
BSP - BSI 5200 - Iso 8434-6  
Page 157**



**RACCORDS ET ADAPTEURS INOX  
DIN 2353 - Iso 8434-1  
Page 63**

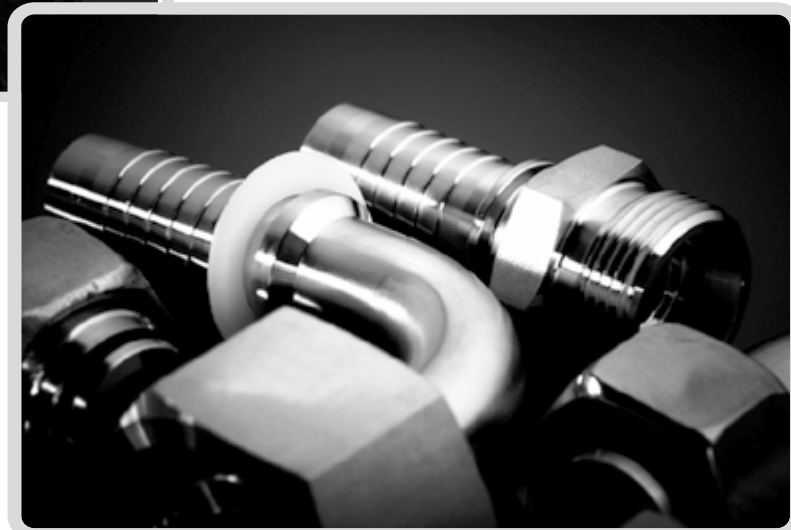


**COUPLEURS  
INOX  
Page 197**

# EMBOUTS A SERTIR INOX POUR TUYAUX

---

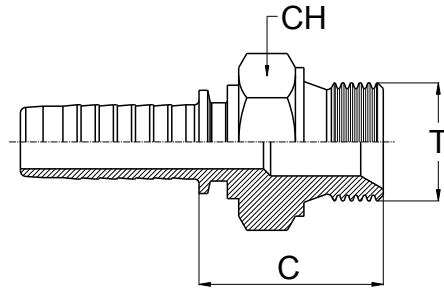
## ISO 12151 - SAE J 516





Banjo .....	41
Bride SAE .....	36
BSP (cône 60°) .....	6
BSP fond plat .....	25
Compact (BSP et JIC) .....	28
Bride SAE monobloc .....	40
Gaz cônica .....	32
JIC (cône 74°) .....	20
JIC double hexagone.....	24
JIS .....	24
Jonction .....	43
Jupe .....	44
DIN série L (cône 24°) .....	10
DIN série S (cône 24°) .....	14
Métrique (cône 60°).....	18
Nettoyeur Haute Pression (Kärcher) .....	43
NPT .....	33
ORFS .....	34
Demi-bride SAE monobloc .....	39
Tube lisse .....	29
Vis banjo.....	42

## EMBOUITS A SERTIR INOX POUR TUYAUX Embout à sertir mâle BSP (cône 60°)

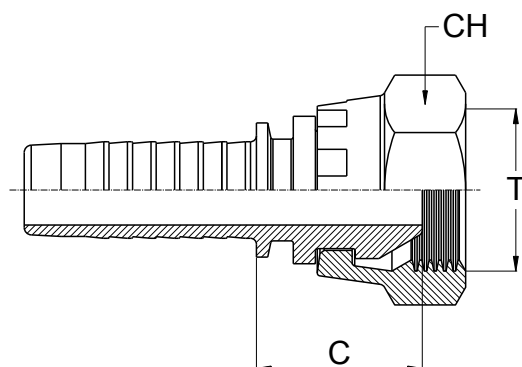


Pression de service (bar)	Code	Filetage T	Ø intérieur tuyau	C	CH
415	62.021.0202.034	1/8"	1/8"	24	14
	62.021.0302.034	1/8"	3/16"	24,5	14
	62.021.0402.034	1/8"	1/4"	23,5	14
	62.021.0502.034	1/8"	5/16"	24,5	14
	62.021.0602.034	1/8"	3/8"	25	17
450	62.021.0304.034	1/4"	3/16"	27	19
450	62.021.0404.034	1/4"	1/4"	27	19
350	62.021.0504.034	1/4"	5/16"	27	19
450	62.021.0604.034	1/4"	3/8"	27	19
415	62.021.0804.034	1/4"	1/2"	28	19
450	62.021.0406.034	3/8"	1/4"	29	22
350	62.021.0506.034	3/8"	5/16"	29	22
450	62.021.0606.034	3/8"	3/8"	29	22
415	62.021.0806.034	3/8"	1/2"	29,5	22
450	62.021.0408.034	1/2"	1/4"	32	27
350	62.021.0508.034	1/2"	5/16"	32	27
450	62.021.0608.034	1/2"	3/8"	32	27
415	62.021.0808.034	1/2"	1/2"	32,5	27
350	62.021.1008.034	1/2"	5/8"	34	27
	62.021.1208.034	1/2"	3/4"	33	27
415	62.021.0810.034	5/8"	1/2"	33,5	30
350	62.021.1010.034	5/8"	5/8"	35	30
415	62.021.0812.034	3/4"	1/2"	35,5	32
350	62.021.1012.034	3/4"	5/8"	37	32
	62.021.1212.034	3/4"	3/4"	36,5	32
280	62.021.1612.034	3/4"	1"	37,5	32
350	62.021.1216.034	1"	3/4"	40,5	38
280	62.021.1616.034	1"	1"	41,5	38
	62.021.1620.034	1"1/4	1"	45,5	50
210	62.021.2021.034	1"1/4	1"1/4	46	50
185	62.021.2420.034	1"1/4	1"1/2	46,5	50
210	62.021.2024.034	1"1/2	1"1/4	46	55
185	62.021.2424.034	1"1/2	1"1/2	46,5	55
165	62.021.3232.034	2"	2"	50	70
120	62.021.3240.034	2"1/2	2"	54	80
	62.021.4040.034	2"1/2	2"1/2	56,5	80
70	62.021.4848.034	3"	3"	57	100



# EMBOUTS A SERTIR INOX POUR TUYAUX

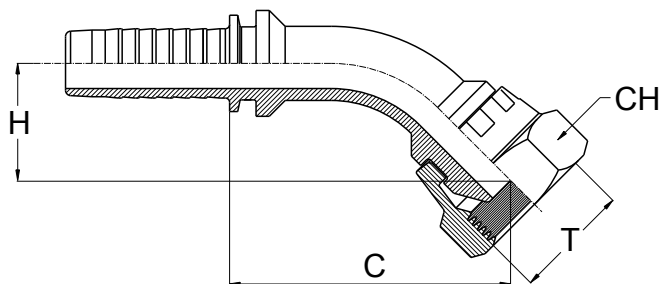
## Embout à sertir femelle BSP (cône 60°)



Pression de service (bar)	Code	Filetage T	Ø intérieur tuyau	C	CH
415	62.021.0202.035	1/8"	1/8"	17	17
	62.021.0302.035	1/8"	3/16"	17	17
	62.021.0402.035	1/8"	1/4"	17	17
	62.021.0204.035	1/4"	1/8"	17	19
	62.021.0304.035	1/4"	3/16"	17	19
450	62.021.0404.035	1/4"	1/4"	17	19
350	62.021.0504.035	1/4"	5/16"	17	19
450	62.021.0604.035	1/4"	3/8"	17	19
415	62.021.0306.035	3/8"	3/16"	19	22
450	62.021.0406.035	3/8"	1/4"	19	22
350	62.021.0506.035	3/8"	5/16"	20	22
450	62.021.0606.035	3/8"	3/8"	19	22
415	62.021.0806.035	3/8"	1/2"	19	22
450	62.021.0408.035	1/2"	1/4"	22	27
350	62.021.0508.035	1/2"	5/16"	23	27
450	62.021.0608.035	1/2"	3/8"	22	27
415	62.021.0808.035	1/2"	1/2"	23	27
350	62.021.1008.035	1/2"	5/8"	25	27
	62.021.1208.035	1/2"	3/4"	24	27
415	62.021.0810.035	5/8"	1/2"	25	30
350	62.021.1010.035	5/8"	5/8"	25	30
250	62.021.1201.035	5/8"	3/4"	24	30
415	62.021.0612.035	3/4"	3/8"	24	32
	62.021.0812.035	3/4"	1/2"	24	32
350	62.021.1012.035	3/4"	5/8"	27	32
	62.021.1212.035	3/4"	3/4"	25	32
280	62.021.1612.035	3/4"	1"	27	32
350	62.021.1216.035	1"	3/4"	26	38
280	62.021.1616.035	1"	1"	27	38
210	62.021.2016.035	1"	1"1/4	28	38
280	62.021.1620.035	1"1/4	1"	27	50
	62.021.2020.035	1"1/4	1"1/4	28	50
210	62.021.2024.035	1"1/2	1"1/4	32	55
	62.021.2424.035	1"1/2	1"1/2	33	55
185	62.021.2432.035	2"	1"1/2	31	70
	62.021.3232.035	2"	2"	31	70
120	62.021.4040.035	2"1/2	2"1/2	36	85
70	62.021.4848.035	3"	3"	38	100

EMBOUITS A SERTIR INOX POUR TUYAUX

**Embout à sertir femelle BSP coudé à 45° (Cône 60°)**

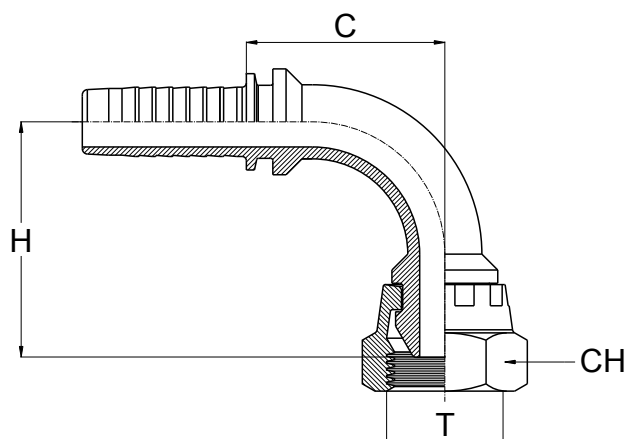


Pression de service (bar)	Code	Filetage T	Ø intérieur tuyau	C	H	CH
415	62.021.0202.037	1/8"	1/8"	39	17	17
	62.021.0204.037	1/4"	1/8"	39	17	19
	62.021.0302.037	1/8"	3/16"	39	15,5	17
	62.021.0402.037	1/8"	1/4"	39,5	16,5	17
	62.021.0304.037	1/4"	3/16"	39	15,5	19
450	62.021.0404.037	1/4"	1/4"	39,5	16,5	19
350	62.021.0504.037	1/4"	5/16"	37	16	19
450	62.021.0604.037	1/4"	3/8"	54	15,5	19
	62.021.0406.037	3/8"	1/4"	38,5	22,5	22
350	62.021.0506.037	3/8"	5/16"	58	30	22
450	62.021.0606.037	3/8"	3/8"	56	22	22
415	62.021.0806.037	3/8"	1/2"	-	-	22
350	62.021.0508.037	1/2"	5/16"	-	-	27
450	62.021.0608.037	1/2"	3/8"	57,5	22	27
415	62.021.0808.037	1/2"	1/2"	63,5	24	27
350	62.021.1008.037	1/2"	5/8"	76	26,5	27
	62.021.1208.037	1/2"	3/4"	87,4	27,5	27
415	62.021.0810.037	5/8"	1/2"	-	-	30
350	62.021.1010.037	5/8"	5/8"	72	21	30
415	62.021.0812.037	3/4"	1/2"	-	-	32
350	62.021.1012.037	3/4"	5/8"	76,5	27,5	32
	62.021.1212.037	3/4"	3/4"	86,5	32,5	32
	62.021.1216.037	1"	3/4"	89	34	38
280	62.021.1616.037	1"	1"	112,5	38,5	38
	62.021.1620.037	1"1/4	1"	-	-	50
150	62.021.2020.037	1"1/4	1"1/4	145,5	45	50
210	62.021.2024.037	1"1/2	1"1/4	-	-	55
185	62.021.2424.037	1"1/2	1"1/2	172,5	55,5	55
	62.021.2432.037*	2"	1"1/2	-	-	70
165	62.021.3232.037	2"	2"	187	50	70
	62.021.4040.037*	2"1/2	2"1/2	85,5	45	85

\* Soudé

# EMBOUITS A SERTIR INOX POUR TUYAUX

## Embout à sertir femelle BSP coudé 90° (cône 60°)

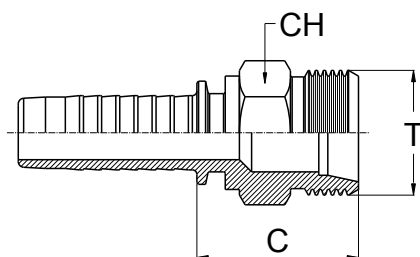


Pression de service (bar)	Code	Filetage T	Ø intérieur tuyau	C	H	CH
415	62.021.0202.036	1/8"	1/8"	23,5	26,5	17
	62.021.0204.036	1/4"	1/8"	23,5	26,5	19
	62.021.0302.036	1/8"	3/16"	28,5	29	17
	62.021.0402.036	1/8"	1/4"	23,5	26,5	17
	62.021.0304.036	1/4"	3/16"	28,5	28	19
450	62.021.0404.036	1/4"	1/4"	23,5	27,5	19
350	62.021.0504.036	1/4"	5/16"	25,5	25,5	19
450	62.021.0604.036	1/4"	3/8"	34,5	34,5	19
	62.021.0406.036	3/8"	1/4"	23,5	35,5	22
350	62.021.0506.036	3/8"	5/16"	25,5	36	22
450	62.021.0606.036	3/8"	3/8"	34,5	36,5	22
415	62.021.0806.036	3/8"	1/2"	37,5	44,5	22
350	62.021.0508.036	1/2"	5/16"	25,5	-	27
450	62.021.0608.036	1/2"	3/8"	34,5	37	27
415	62.021.0808.036	1/2"	1/2"	37,5	44,5	27
350	62.021.1008.036	1/2"	5/8"	44,5	52	27
	62.021.1208.036	1/2"	3/4"	52,5	59,5	27
415	62.021.0810.036	5/8"	1/2"	37,5	-	30
350	62.021.1010.036	5/8"	5/8"	44,5	52,5	30
415	62.021.0812.036	3/4"	1/2"	37,5	47	32
350	62.021.1012.036	3/4"	5/8"	44,5	52	32
	62.021.1212.036	3/4"	3/4"	52,5	59	32
	62.021.1216.036	1"	3/4"	52,5	62	38
280	62.021.1616.036	1"	1"	67,5	74,5	38
	62.021.1620.036	1"1/4	1"	67,5	-	50
150	62.021.2020.036	1"1/4	1"1/4	89	85,7	50
210	62.021.2024.036	1"1/2	1"1/4	85	103	55
185	62.021.2424.036	1"1/2	1"1/2	114	110	55
	62.021.2432.036*	2"	1"1/2	114	-	70
165	62.021.3232.036	2"	2"	126	122	70
70	62.021.4040.036*	2"1/2	2"1/2	102	122	85
50	62.021.4848.036	3"	3"	-	-	100

\* Soudé

EMBOUITS A SERTIR INOX POUR TUYAUX

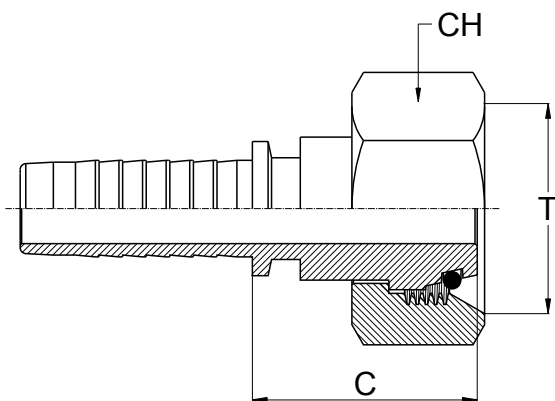
**Embout à sertir mâle DIN série L (cône 24°)**



Pression de service (bar)	Code	Filetage T	Ø intérieur tuyau	DIN 24°	C	CH
280	62.021.0306.005	12x1,5	3/16"	06L	25	14
	62.021.0406.005	12x1,5	1/4"	06L	25	14
	62.021.0308.005	14x1,5	3/16"	08L	25	14
	62.021.0408.005	14x1,5	1/4"	08L	25	14
	62.021.0410.005	16x1,5	1/4"	10L	27	17
	62.021.0510.005	16x1,5	5/16"	10L	27	17
	62.021.0610.005	16x1,5	3/8"	10L	27	17
	62.021.0412.005	18x1,5	1/4"	12L	27	19
	62.021.0512.005	18x1,5	5/16"	12L	27	19
	62.021.0612.005	18x1,5	3/8"	12L	27	19
	62.021.0812.005	18x1,5	1/2"	12L	27	19
	62.021.0615.005	22x1,5	3/8"	15L	28,5	22
62.021.0815.005	22x1,5	1/2"	15L	28,5	22	
210	62.021.0818.005	26x1,5	1/2"	18L	31	27
	62.021.1018.005	26x1,5	5/8"	18L	31	27
	62.021.1218.005	26x1,5	3/4"	18L	30,5	27
	62.021.1022.005	30x2	5/8"	22L	32,5	30
	62.021.1222.005	30x2	3/4"	22L	32,5	30
165	62.021.1628.005	36x2	1"	28L	35,5	36
125	62.021.2035.005	45x2	1"1/4	35L	39	46
100	62.021.2442.005	52x2	1"1/2	42L	40,5	55

# EMBOUITS A SERTIR INOX POUR TUYAUX

## Embout à sertir femelle DIN série L + O-Ring (Cône 24°)

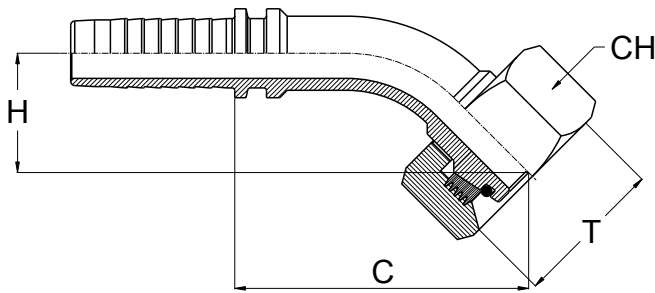


Pression de service (bar)	Code	Filetage T	Ø intérieur tuyau	DIN 24°	C	CH
280	62.021.0206.020	12x1,5	1/8"	06L	22,5	14
	62.021.0306.020	12x1,5	3/16"	06L	22,5	14
	62.021.0406.020	12x1,5	1/4"	06L	21,5	14
	62.021.0308.020	14x1,5	3/16"	08L	22,5	17
	62.021.0408.020	14x1,5	1/4"	08L	21,5	17
	62.021.0508.020	14x1,5	5/16"	08L	23	17
	62.021.0608.020*	14x1,5	3/8"	08L	21	17
	62.021.0310.020	16x1,5	3/16"	10L	26	19
	62.021.0410.020	16x1,5	1/4"	10L	26	19
	62.021.0510.020	16x1,5	5/16"	10L	26	19
	62.021.0610.020	16x1,5	3/8"	10L	26	19
	62.021.0412.020	18x1,5	1/4"	12L	24,5	22
	62.021.0512.020	18x1,5	5/16"	12L	26	22
	62.021.0612.020	18x1,5	3/8"	12L	26	22
	62.021.0812.020*	18x1,5	1/2"	12L	22,5	22
	62.021.0515.020	22x1,5	5/16"	15L	27	27
62.021.0615.020	22x1,5	3/8"	15L	27	27	
62.021.0815.020	22x1,5	1/2"	15L	27	27	
62.021.1015.020	22x1,5	5/8"	15L	27	27	
62.021.1215.020*	22x1,5	3/4"	15L	27,6	27	
62.021.0618.020	26x1,5	3/8"	18L	30,5	32	
62.021.0818.020	26x1,5	1/2"	18L	30,5	32	
62.021.1018.020	26x1,5	5/8"	18L	30,5	32	
62.021.1218.020*	26x1,5	3/4"	18L	31	32	
62.021.0822.020	30x2	1/2"	22L	36	36	
62.021.1022.020	30x2	5/8"	22L	36	36	
62.021.1222.020	30x2	3/4"	22L	36,5	36	
62.021.1622.020*	30x2	1"	22L	31	36	
62.021.1028.020	36x2	5/8"	28L	37	41	
62.021.1228.020	36x2	3/4"	28L	37	41	
62.021.1628.020	36x2	1"	28L	37	41	
62.021.2028.020*	36x2	1"1/4	28L	36,5	41	
125	62.021.2035.020	45x2	1"1/4	35L	36,5	50
100	62.021.2442.020	52x2	1"1/2	42L	36,5	60

\* Ecrou pré-serti

EMBOUITS A SERTIR INOX POUR TUYAUX

**Embout à sertir femelle DIN série L + O-Ring coudé à 45° (Cône 24°)**

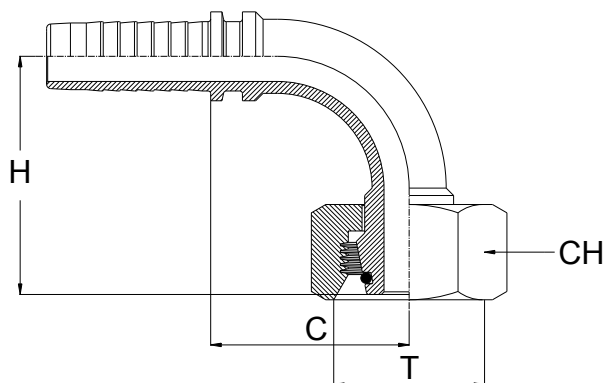


Pression de service (bar)	Code	Filetage T	Ø intérieur tuyau	DIN 24°	C	H	CH
280	62.021.0306.022	12x1,5	3/16"	06L	44	22	14
	62.021.0406.022	12x1,5	1/4"	06L	43,5	15,7	14
	62.021.0308.022	14x1,5	3/16"	08L	43,5	19,5	17
	62.021.0408.022	14x1,5	1/4"	08L	50	18	17
	62.021.0508.022	14x1,5	5/16"	08L	-	-	17
	62.021.0410.022	16x1,5	1/4"	10L	48	19	19
	62.021.0510.022	16x1,5	5/16"	10L	59	19,5	19
	62.021.0610.022	16x1,5	3/8"	10L	55	18	19
	62.021.0412.022	18x1,5	1/4"	12L	46	32	22
	62.021.0512.022	18x1,5	5/16"	12L	59	22	22
	62.021.0612.022	18x1,5	3/8"	12L	56,5	21	22
	62.021.0812.022*	18x1,5	1/2"	12L	62	20,5	22
	62.021.0615.022	22x1,5	3/8"	15L	-	-	27
62.021.0815.022	22x1,5	1/2"	15L	68	25,5	27	
210	62.021.0618.022	26x1,5	3/8"	18L	-	-	32
	62.021.0818.022	26x1,5	1/2"	18L	70,5	28,5	32
	62.021.1018.022	26x1,5	5/8"	18L	75,5	28	32
	62.021.1218.022	26x1,5	3/4"	18L	85	22,5	32
	62.021.1022.022	30x2	5/8"	22L	-	-	36
	62.021.1222.022	30x2	3/4"	22L	88,5	33	36
165	62.021.1228.022	36x2	3/4"	28L	86	27,5	41
	62.021.1628.022	36x2	1"	28L	108	37	41
125	62.021.2035.022	45x2	1"1/4	35L	132,5	32,5	50
100	62.021.2442.022	52x2	1"1/2	42L	-	-	60

\* Ecrou pré-serti

# EMBOUS A SERTIR INOX POUR TUYAUX

## Embout à sertir femelle DIN série L + O-Ring coudé à 90° (Cône 24°)

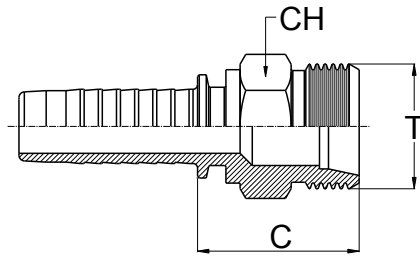


Pression de service (bar)	Code	Filetage T	Ø intérieur tuyau	DIN 24°	C	H	CH
280	62.021.0306.021	12x1,5	3/16"	06L	24,5	32	14
	62.021.0406.021	12x1,5	1/4"	06L	24	32	14
	62.021.0308.021	14x1,5	3/16"	08L	26,5	31	17
	62.021.0408.021	14x1,5	1/4"	08L	24	32	17
	62.021.0508.021	14x1,5	5/16"	08L	33,5	39,1	17
	62.021.0310.021	16x1,5	3/16"	10L	27,5	35	17
	62.021.0410.021	16x1,5	1/4"	10L	28	34,5	19
	62.021.0510.021	16x1,5	5/16"	10L	37	36,5	19
	62.021.0610.021	16x1,5	3/8"	10L	35	37,5	19
	62.021.0412.021	18x1,5	1/4"	12L	27	36,5	22
	62.021.0512.021	18x1,5	5/16"	12L	37	36,5	22
	62.021.0612.021	18x1,5	3/8"	12L	35,5	36,5	22
	62.021.0812.021*	18x1,5	1/2"	12L	36,5	36,5	22
	62.021.0615.021	22x1,5	3/8"	15L	40	38,5	27
62.021.0815.021	22x1,5	1/2"	15L	37,5	45	27	
210	62.021.0618.021	26x1,5	1/2"	18L	39	38,5	32
	62.021.0818.021	26x1,5	1/2"	18L	39	49	32
	62.021.1018.021	26x1,5	5/8"	18L	44	48,5	32
	62.021.1218.021	26x1,5	3/4"	18L	52	63	32
	62.021.1022.021	30x2	5/8"	22L	46	47,5	36
	62.021.1222.021	30x2	3/4"	22L	55,5	60,5	36
165	62.021.1228.021	36x2	3/4"	28L	56	61	41
	62.021.1628.021	36x2	1"	28L	62,5	79,5	41
125	62.021.2035.021	45x2	1"1/4	35L	85	102,5	50
100	62.021.2442.021	52x2	1"1/2	42L	107	111	60

\* Ecrou pré-serti

EMBOUTS A SERTIR INOX POUR TUYAUX

**Embout à sertir mâle DIN série S (cône 24°)**

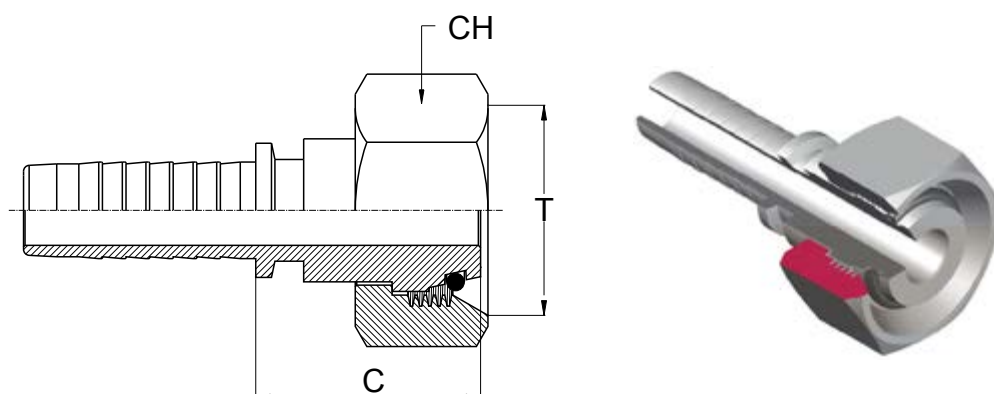


Pression de service (bar)	Code	Filetage T	Ø intérieur tuyau	DIN 24°	C	CH
450	62.021.0406.006	14x1,5	1/4"	06S	27,5	14
	62.021.0408.006	16x1,5	1/4"	08S	28	17
	62.021.0410.006	18x1,5	1/4"	10S	27	19
350	62.021.0510.006	18x1,5	5/16"	10S	27	19
450	62.021.0610.006	18x1,5	3/8"	10S	27	19
	62.021.0412.006	20x1,5	1/4"	12S	28	22
350	62.021.0512.006	20x1,5	5/16"	12S	28	22
450	62.021.0612.006	20x1,5	3/8"	12S	28	22
350	62.021.0514.006	22x1,5	5/16"	14S	29,5	22
450	62.021.0614.006	22x1,5	3/8"	14S	29,5	24
420	62.021.0616.006	24x1,5	3/8"	16S	31	24
	62.021.0816.006	24x1,5	1/2"	16S	31	24
350	62.021.1016.006	24x1,5	5/8"	16S	32,5	24
280	62.021.1616.006	24x1,5	1"	16S	32	36
350	62.021.0820.006	30x2	1/2"	20S	33,5	30
	62.021.1021.006	30x2	5/8"	20S	35	30
	62.021.1220.006	30x2	3/4"	20S	35	30
	62.021.1225.006	36x2	3/4"	25S	37,5	36
280	62.021.1625.006	36x2	1"	25S	38,5	36
350	62.021.0830.006	42x2	1/2"	30S	41,5	46
280	62.021.1630.006	42x2	1"	30S	42,5	46
210	62.021.2030.006	42x2	1"1/4	30S	43,5	46
280	62.021.1638.006	52x2	1"	38S	45	55
210	62.021.2438.006	52x2	1"1/4	38S	46	55



# EMBOUS A SERTIR INOX POUR TUYAUX

## Embout à sertir femelle DIN série S + O-Ring (Cône 24°)

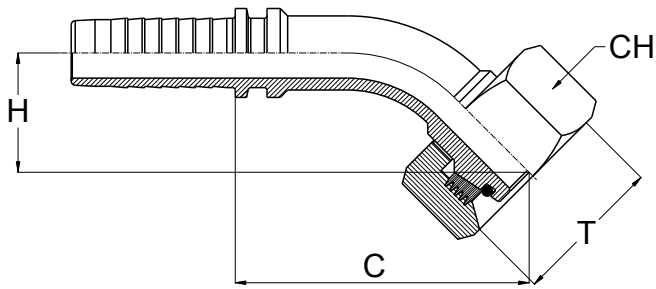


Pression de service (bar)	Code	Filetage T	Ø intérieur tuyau	DIN 24°	C	CH
420	62.021.0306.024	14x1,5	3/16"	06S	22,5	17
450	62.021.0406.024	14x1,5	1/4"	06S	22,5	17
420	62.021.0308.024	16x1,5	3/16"	08S	22,5	19
450	62.021.0408.024	16x1,5	1/4"	08S	22,5	19
350	62.021.0508.024	16x1,5	5/16"	08S	26	19
450	62.021.0608.024	16x1,5	3/8"	08S	26	19
	62.021.0410.024	18x1,5	1/4"	10S	26	22
350	62.021.0510.024	18x1,5	5/16"	10S	25,5	22
450	62.021.0610.024	18x1,5	3/8"	10S	26	22
	62.021.0412.024	20x1,5	1/4"	12S	26	24
350	62.021.0512.024	20x1,5	5/16"	12S	26	24
450	62.021.0612.024	20x1,5	3/8"	12S	26	24
420	62.021.0812.024	20x1,5	1/2"	12S	27	24
350	62.021.0514.024	22x1,5	5/16"	14S	27	27
450	62.021.0614.024	22x1,5	3/8"	14S	26,5	27
	62.021.0814.024	22x1,5	1/2"	14S	26	27
	62.021.0616.024	24x1,5	3/8"	16S	32	30
420	62.021.0816.024	24x1,5	1/2"	16S	32	30
	62.021.1016.024	24x1,5	5/8"	16S	36	30
	62.021.0820.024	30x2	1/2"	20S	36	36
350	62.021.1020.024	30x2	5/8"	20S	36	36
	62.021.1220.024	30x2	3/4"	20S	36,5	36
	62.021.1025.024	36x2	5/8"	25S	36,5	46
	62.021.1225.024	36x2	3/4"	25S	36,5	46
	62.021.1625.024	36x2	1"	25S	37	46
280	62.021.1230.024	42x2	3/4"	30S	36,5	50
	62.021.1630.024	42x2	1"	30S	37	50
	62.021.2030.024*	42x2	1"1/4	30S	36,5	50
210	62.021.1638.024	52x2	1"	38S	37	60
	62.021.2038.024	52x2	1"1/4	38S	42,5	60
185	62.021.2438.024	52x2	1"1/2	38S	42,5	60
	62.021.2450.024	68x2	1"1/2	50S	37	80

\* Ecrou pré-serti

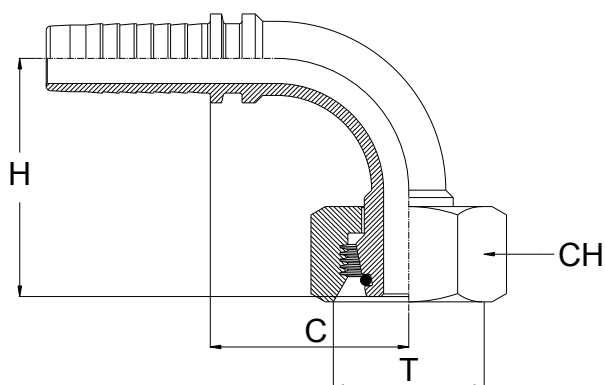
EMBOUITS A SERTIR INOX POUR TUYAUX

**Embout à sertir femelle DIN série S + O-Ring coudé à 45° (Cône 24°)**



Pression de service (bar)	Code	Filetage T	Ø intérieur tuyau	DIN 24°	C	H	CH
420	62.021.0306.028	14x1,5	3/16"	06S	-	--	17
450	62.021.0406.028	14x1,5	1/4"	06S	-	-	17
420	62.021.0308.028	16x1,5	3/16"	08S	-	-	19
450	62.021.0408.028	16x1,5	1/4"	08S	47	16,5	19
350	62.021.0508.028	16x1,5	5/16"	08S	-	-	19
450	62.021.0410.028	18x1,5	1/4"	10S	48,5	22,5	22
350	62.021.0510.028	18x1,5	5/16"	10S	-	-	22
450	62.021.0610.028	18x1,5	3/8"	10S	55	19	22
	62.021.0412.028	20x1,5	1/4"	12S	-	-	24
350	62.021.0512.028	20x1,5	5/16"	12S	55	18,5	24
450	62.021.0612.028	20x1,5	3/8"	12S	58,5	22,5	24
420	62.021.0812.028	20x1,5	1/2"	12S	-	-	24
450	62.021.0614.028	22x1,5	3/8"	14S	57	25,5	27
420	62.021.0814.028	22x1,5	1/2"	14S	-	-	27
	62.021.0616.028	24x1,5	3/8"	16S	-	-	30
	62.021.0816.028	24x1,5	1/2"	16S	67,5	28	30
350	62.021.1016.028	24x1,5	5/8"	16S	68	23	30
	62.021.0820.028	30x2	1/2"	20S	-	-	36
	62.021.1020.028	30x2	5/8"	20S	73,5	28,5	36
	62.021.1220.028	30x2	3/4"	20S	87	29,5	36
	62.021.1225.028	36x2	3/4"	25S	89,5	35	46
280	62.021.1625.028	36x2	1"	25S	110,5	35	46
	62.021.1230.028	42x2	3/4"	30S	89	30,5	50
	62.021.1638.028	42x2	1"	30S	110,5	35	50
210	62.021.2038.028	52x2	1"1/4	38S	138	62	60
185	62.021.2438.028	52x2	1"1/2	38S	-	-	60
	62.021.2450.028	68x2	1"1/2	50S	-	-	60

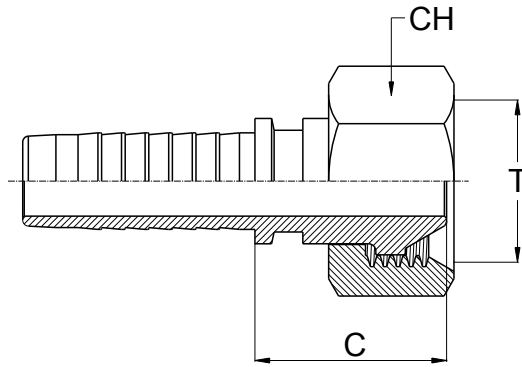
## Embout à sertir femelle DIN série S + O-Ring coudé à 90° (Cône 24°)



Pression de service (bar)	Code	Filetage T	Ø intérieur tuyau	DIN 24°	C	H	CH
420	62.021.0306.026	14x1,5	3/16"	06S	24,5	32	17
450	62.021.0406.026	14x1,5	1/4"	06S	27	32	17
420	62.021.0308.026	16x1,5	3/16"	08S	27	32	19
450	62.021.0408.026	16x1,5	1/4"	08S	22,5	33,5	19
350	62.021.0508.026	16x1,5	5/16"	08S	37	36,5	19
350	62.021.0608.026	16x1,5	3/8"	08S	35	37,5	19
450	62.021.0410.026	18x1,5	1/4"	10S	28	35,5	22
350	62.021.0510.026	18x1,5	5/16"	10S	37	36,5	22
450	62.021.0610.026	18x1,5	3/8"	10S	37	37,5	22
	62.021.0412.026	20x1,5	1/4"	12S	27	36,5	24
350	62.021.0512.026	20x1,5	5/16"	12S	37	37	24
450	62.021.0612.026	20x1,5	3/8"	12S	35,5	36,5	24
420	62.021.0812.026	20x1,5	1/2"	12S	37	47,5	24
450	62.021.0614.026	22x1,5	3/8"	14S	39,5	38,5	27
420	62.021.0814.026	22x1,5	1/2"	14S	40	46,5	27
	62.021.0616.026	24x1,5	3/8"	16S	35,4	43	30
	62.021.0816.026	24x1,5	1/2"	16S	36,5	45,5	30
350	62.021.1016.026	24x1,5	5/8"	16S	42	50	30
	62.021.0820.026	30x2	1/2"	20S	40	48	36
	62.021.1020.026	30x2	5/8"	20S	42	50	36
	62.021.1220.026	30x2	3/4"	20S	47,5	65,5	36
	62.021.1225.026	36x2	3/4"	25S	55,5	60,5	46
280	62.021.1625.026	36x2	1"	25S	69,5	74,5	46
	62.021.1230.026	42x2	3/4"	30S	53	65	50
	62.021.1630.026	42x2	1"	30S	68	78,5	50
210	62.021.2038.026	52x2	1"1/4	38S	84	93	60
185	62.021.2438.026	52x2	1"1/2	38S	108	112	60
	62.021.2450.026	68x2	1"1/2	50S	-	-	80

EMBOUTS A SERTIR INOX POUR TUYAUX

**Embout à sertir femelle métrique (Cône 60°)**

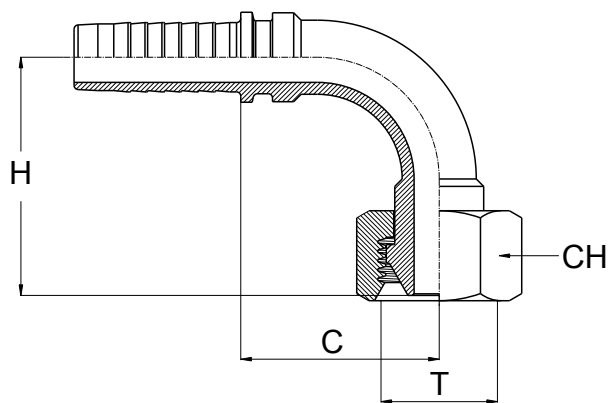


Pression de service (bar)	Code	Filetage T	Ø intérieur tuyau	C	CH
350	62.021.0312.057	12x1,5	3/16"	22	14
	62.021.0412.057	12x1,5	1/4"	21,5	14
	62.021.0414.057	14x1,5	1/4"	21,5	17
	62.021.0514.057*	14x1,5	5/16"	21	17
	62.021.0416.057	16x1,5	1/4"	21,5	19
	62.021.0516.057	16x1,5	5/16"	26	19
315	62.021.0616.057	16x1,5	3/8"	26	19
	62.021.0816.057	16x1,5	1/2"	26	19
350	62.021.0418.057	18x1,5	1/4"	26	22
	62.021.0518.057	18x1,5	5/16"	26	22
	62.021.0618.057	18x1,5	3/8"	26	22
315	62.021.0620.057	20x1,5	3/8"	26	24
	62.021.0820.057	20x1,5	1/2"	27	24
	62.021.0622.057	22x1,5	3/8"	24,2	27
	62.021.0822.057	22x1,5	1/2"	26	27
250	62.021.0826.057	26x1,5	1/2"	31	32
	62.021.1026.057	26x1,5	5/8"	30,5	32
210	62.021.1230.057	30x1,5	3/4"	36,5	36
165	62.021.1638.057	38x1,5	1"	37	46
125	62.021.2445.057	45x1,5	1"1/4	36,5	50

\* Ecrou pré-serti

# EMBOUS A SERTIR INOX POUR TUYAUX

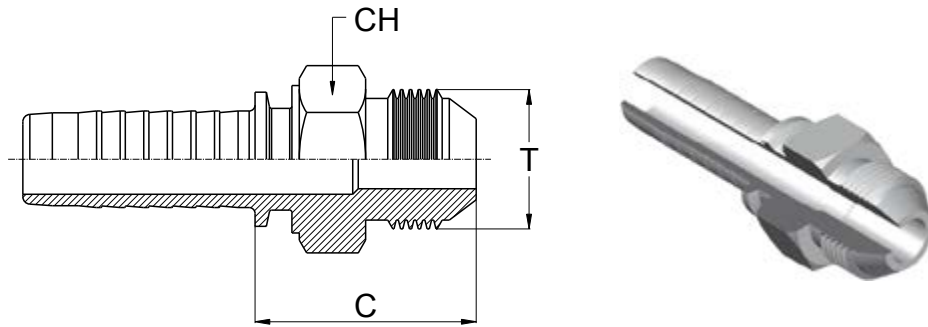
## Embout à sertir femelle métrique (Cône 60°) coudé à 90°



Pression de service (bar)	Code	Filetage T	Ø intérieur tuyau	C	H	CH
350	62.021.0312.059	12x1,5	3/16"	24	32	14
	62.021.0412.059	12x1,5	1/4"	24	32	14
	62.021.0414.059	14x1,5	1/4"	24	32	17
	62.021.0416.059	16x1,5	1/4"	28	34,5	19
	62.021.0516.059	16x1,5	5/16"	37	36,5	19
	62.021.0616.059	16x1,5	3/8"	35	37,5	19
	62.021.0518.059	18x1,5	5/16"	37	36,5	22
315	62.021.0618.059	18x1,5	3/8"	35,5	36,5	22
	62.021.0620.059	20x1,5	3/8"	35,5	36,5	24
250	62.021.0822.059	22x1,5	1/2"	37,5	45	27
	62.021.0826.059	26x1,5	1/2"	39	49	32
210	62.021.1026.059	26x1,5	5/8"	44	48,5	32
	62.021.1230.059	30x1,5	3/4"	55,5	59,5	36
165	62.021.1638.059	38x1,5	1"	70,5	75	46

Egalement disponible en version coudée à 45°

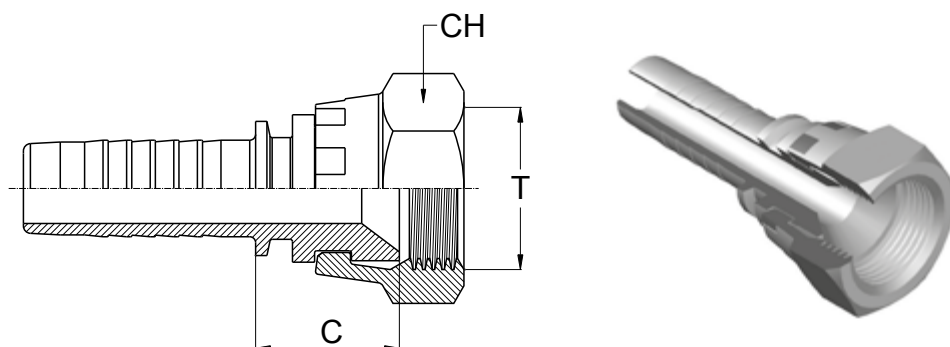
## EMBOUITS A SERTIR INOX POUR TUYAUX Embout à sertir mâle JIC (Cône 74°)



Pression de service (bar)	Code	Filetage	Ø intérieur tuyau	C	CH
415	62.021.0304.038	7/16"	3/16"	28,1	14
450	62.021.0404.038	7/16"	1/4"	27,5	14
	62.021.0405.038	12"	1/4"	28,5	14
	62.021.0406.038	9/16"	1/4"	28	17
350	62.021.0506.038	9/16"	5/16"	27,9	17
450	62.021.0606.038	9/16"	3/8"	28,3	17
415	62.021.0608.038	3/4"	3/8"	30,5	22
	62.021.0808.038	3/4"	1/2"	30	22
350	62.021.0610.038	7/8"	3/8"	35,3	24
	62.021.0810.038	7/8"	1/2"	35	24
	62.021.1010.038	7/8"	5/8"	37,7	24
	62.021.1210.038	7/8"	3/4"	36,5	27
	62.021.0812.038	1"1/16	1/2"	38	27
	62.021.1012.038	1"1/16	5/8"	39	27
	62.021.1212.038	1"1/16	3/4"	39,5	27
280	62.021.1612.038	1"1/16	1"	42,5	32
	62.021.1216.038	1"5/16	3/4"	41	36
	62.021.1616.038	1"5/16	1"	43,8	36
	62.021.1620.038	1"5/8	1"	45,5	46
210	62.021.2020.038	1"5/8	1"1/4	46,5	46
	62.021.1624.038	1"7/8	1"	50	50
	62.021.2024.038	1"7/8	1"1/4	51	50
140	62.021.2424.038	1"7/8	1"1/2	51	50
105	62.021.3232.038	2"1/2	2"	-	65

# EMBOUS A SERTIR INOX POUR TUYAUX

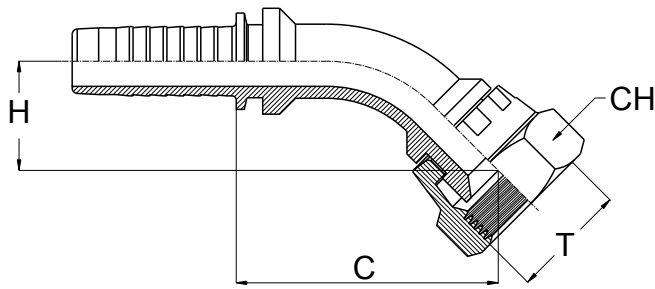
## Embout à sertir femelle JIC (Cône 74°)



Pression de service (bar)	Code	Filetage T	Ø intérieur tuyau	C	CH
350	62.021.0304.039	7/16"	3/16"	15,5	17
	62.021.0404.039	7/16"	1/4"	15,5	17
	62.021.0504.039	7/16"	5/16"	15,5	17
	62.021.0604.039	7/16"	3/8"	15,5	17
	62.021.0305.039	1/2"	3/16"	15,5	17
	62.021.0405.039	1/2"	1/4"	15,5	17
250	62.021.0505.039	1/2"	5/16"	15,5	17
	62.021.0605.039	1/2"	3/8"	15,5	17
	62.021.0406.039	9/16"	1/4"	15,5	19
	62.021.0506.039	9/16"	5/16"	15,5	19
	62.021.0606.039	9/16"	3/8"	15,5	19
	62.021.0806.039	9/16"	1/2"	16,5	19
	62.021.0607.039	5/8"	3/8"	15,5	22
	62.021.0408.039	3/4"	1/4"	19	24
	62.021.0508.039	3/4"	5/16"	19	24
	62.021.0608.039	3/4"	3/8"	19	24
200	62.021.0808.039	3/4"	1/2"	19,5	24
	62.021.1008.039	3/4"	5/8"	20	24
	62.021.1208.039	3/4"	3/4"	20,5	24
	62.021.0610.039	7/8"	3/8"	19	27
	62.021.0810.039	7/8"	1/2"	19,5	27
	62.021.1010.039	7/8"	5/8"	20	27
	62.021.1210.039	7/8"	3/4"	20,5	27
	62.021.0812.039	1"1/16	1/2"	23	32
	62.021.1012.039	1"1/16	5/8"	23	32
	62.021.1212.039	1"1/16	3/4"	23	32
160	62.021.1612.039	1"1/16	1"	23,5	32
	62.021.1216.039	1"5/16	3/4"	23,5	38
100	62.021.1616.039	1"5/16	1"	24,5	38
	62.021.2016.039	1"5/16	1"1/4	25,5	38
125	62.021.1620.039	1"5/8	1"	27	50
	62.021.2020.039	1"5/8	1"1/4	28	50
100	62.021.2024.039	1"7/8	1"1/4	28	55
	62.021.2424.039	1"7/8	1"1/2	28	55
80	62.021.3232.039	2"1/2	2"	31	70

EMBOUITS A SERTIR INOX POUR TUYAUX

**Embout à sertir femelle JIC (Cône 74°) coudé à 45°**

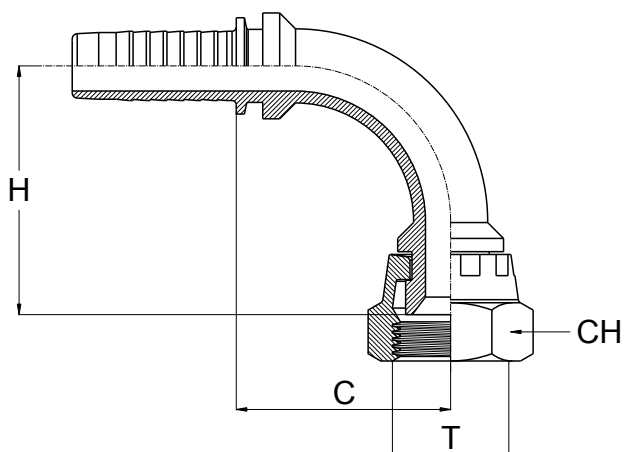


Pression de service (bar)	Code	Filetage T	Ø intérieur tuyau	C	H	CH
350	62.021.0304.041	7/16"	3/16"	39	14,5	17
	62.021.0404.041	7/16"	1/4"	41,5	18,5	17
	62.021.0504.041	7/16"	5/16"	-	-	17
	62.021.0305.041	1/2"	3/16"	-	-	17
	62.021.0405.041	1/2"	1/4"	42,5	19,5	17
	62.021.0505.041	1/2"	5/16"	38,3	12	17
250	62.021.0605.041	1/2"	3/8"	59	20,5	17
	62.021.0406.041	9/16"	3/8"	61,5	23	19
	62.021.0506.041	9/16"	5/16"	68,5	26	19
	62.021.0606.041	9/16"	3/8"	52,5	16,5	19
	62.021.0408.041	3/4"	1/4"	46	11,5	24
	62.021.0608.041	3/4"	3/8"	56	16	24
200	62.021.0808.041	3/4"	1/2"	64	20	24
	62.021.1008.041	3/4"	5/8"	-	-	24
	62.021.1208.041	3/4"	3/4"	-	-	24
	62.021.0610.041	7/8"	3/8"	58	23,5	27
	62.021.0810.041	7/8"	1/2"	70,5	36	27
	62.021.1010.041	7/8"	5/8"	70	41	27
	62.021.0812.041	1"1/16	1/2"	-	-	32
	62.021.1012.041	1"1/16	5/8"	79	26,5	32
160	62.021.1212.041	1"1/16	3/4"	98,5	35	32
	62.021.1612.041	1"1/16	1"	-	-	32
125	62.021.1216.041	1"5/16	3/4"	86	26	38
	62.021.1616.041	1"5/16	1"	109	37	38
100	62.021.1620.041	1"5/8	1"	-	-	50
	62.021.2020.041	1"5/8	1"1/4	134	43	50
80	62.021.2024.041	1"7/8	1"1/4	135	46,3	55
	62.021.2424.041	1"7/8	1"1/2	172,5	53,5	55
80	62.021.3232.041	2"1/2	2"	-	-	70



# EMBOUITS A SERTIR INOX POUR TUYAUX

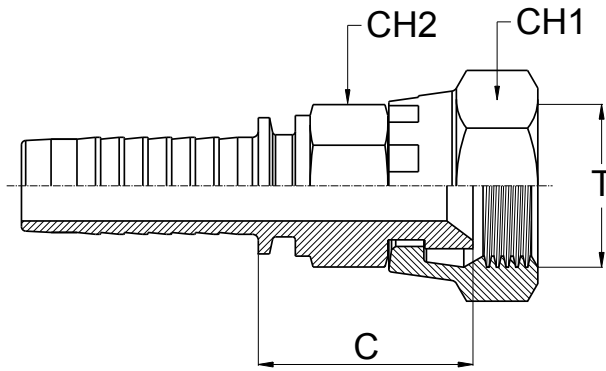
## Embout à sertir femelle JIC (Cône 74°) coudé à 90°



Pression de service (bar)	Code	Filetage T	Ø intérieur tuyau	C	H	CH
350	62.021.0304.040	7/16"	3/16"	24,5	26,5	17
	62.021.0404.040	7/16"	1/4"	23,5	30,5	17
	62.021.0504.040	7/16"	5/16"	25	28	17
	62.021.0604.040	7/16"	3/8"	36,5	34	17
	62.021.0305.040	1/2"	3/16"	24	24,5	17
	62.021.0405.040	1/2"	1/4"	23,5	30,5	17
	62.021.0505.040	1/2"	5/16"	24,5	27	17
250	62.021.0605.040	1/2"	3/8"	36,5	33	17
	62.021.0406.040	9/16"	1/4"	22	35	19
	62.021.0506.040	9/16"	5/16"	38,5	37,5	19
	62.021.0606.040	9/16"	3/8"	35	36	19
	62.021.0408.040	3/4"	1/4"	24	34	24
	62.021.0508.040	3/4"	5/16"	-	-	24
	62.021.0608.040	3/4"	3/8"	40	46,5	24
200	62.021.0808.040	3/4"	1/2"	36,5	45	24
	62.021.1008.040	3/4"	5/8"	-	-	24
	62.021.1208.040	3/4"	3/4"	-	-	24
	62.021.0610.040	7/8"	3/8"	40	38,5	27
	62.021.0810.040	7/8"	1/2"	40	47	27
	62.021.1010.040	7/8"	5/8"	43,1	52,6	27
	62.021.0812.040	1"1/16	1/2"	37	48	32
	62.021.1012.040	1"1/16	5/8"	43,5	57	32
160	62.021.1212.040	1"1/16	3/4"	55	68	32
	62.021.1612.040	1"1/16	1"	-	-	32
125	62.021.1216.040	1"5/16	3/4"	53,5	70,5	38
	62.021.1616.040	1"5/16	1"	70,5	88	38
100	62.021.1620.040	1"5/8	1"	64	81	50
	62.021.2020.040	1"5/8	1"1/4	83,5	89,5	50
80	62.021.2024.040	1"7/8	1"1/4	88	89	55
	62.021.2424.040	1"7/8	1"1/2	113,5	110,5	55
80	62.021.3232.040	2"1/2	2"	-	-	70

EMBOUITS A SERTIR INOX POUR TUYAUX

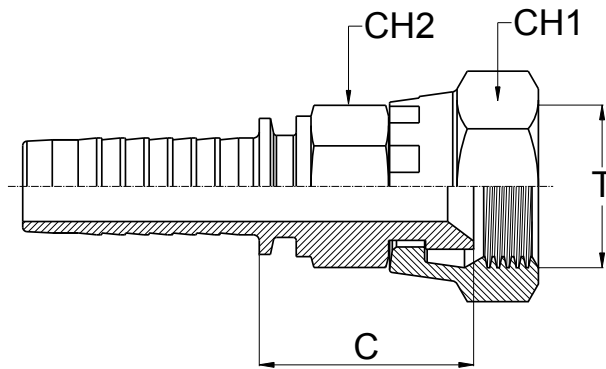
**Embout à sertir femelle JIC (Cône 74°) / JIS (Cône 60°) double hexagone**



**JIC cône 74° double hexagone**

Pression de service (bar)	Code	Filetage T	Ø intérieur tuyau	C	CH1	CH2
350	62.021.0404.039H	7/16"	1/4"	25,5	17	14
	62.021.0405.039H	1/2"	1/4"	25,5	17	14
250	62.021.0505.039H	1/2"	5/16"	-	17	14
	62.021.0406.039H	9/16"	1/4"	25,5	19	14
200	62.021.0506.039H	9/16"	5/16"	25,5	19	14
	62.021.0606.039H	9/16"	3/8"	25,8	19	17
	62.021.0608.039H	3/4"	3/8"	28,8	24	19
	62.021.0808.039H	3/4"	1/2"	29,5	24	19
	62.021.0810.039H	7/8"	1/2"	29,5	27	22
	62.021.1010.039H	7/8"	5/8"	31	27	22
160	62.021.1012.039H	1"1/16	5/8"	-	32	27
	62.021.1212.039H	1"1/16	3/4"	34	32	27
	62.021.1616.039H	1"5/16	1"	35,5	38	32

24



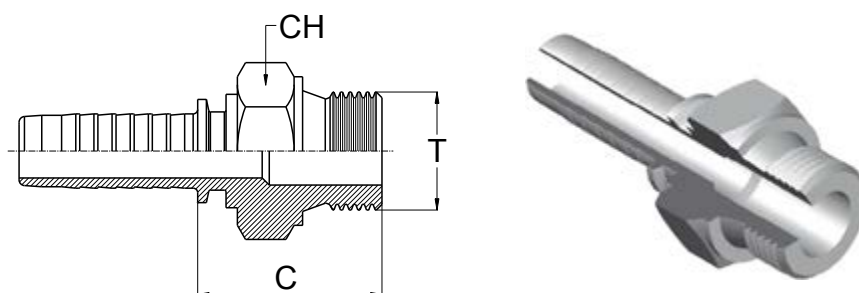
**JIS (TOYOTA) cône 60° double hexagone**

Pression de service (bar)	Code	Filetage T	Ø intérieur tuyau	C	CH1	CH2
350	62.021.0404.042	1/4"	1/4"	25,5	19	17
250	62.021.0606.042	3/8"	3/8"	26,5	22	19
	62.021.0808.042	1/2"	1/2"	28,5	27	22
200	62.021.1212.042	3/4"	3/4"	34	32	30
160	62.021.1616.042	1"	1"	35,5	38	36
100	62.021.2020.042	1"1/4	1"1/4	-	50	46
	62.021.2424.042	1"1/2	1"1/2	-	55	50

Disponible également en version coudée à 90°

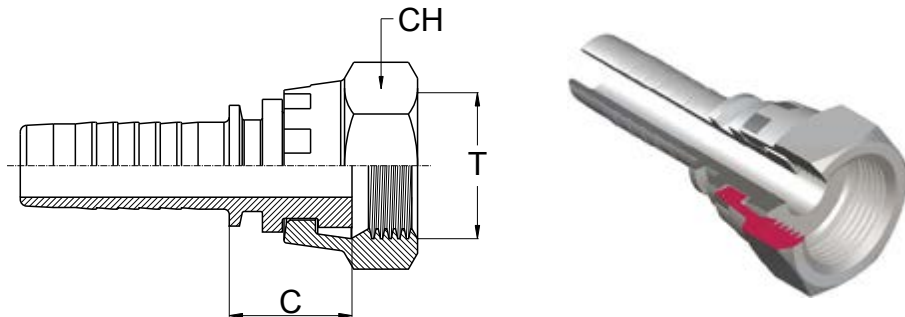
# EMBOUS A SERTIR INOX POUR TUYAUX

## Embout à sertir mâle BSP à fond plat



Pression de service (bar)	Code	Filetage T	Ø intérieur tuyau	C	CH
450	62.021.0404.025	1/4"	1/4"	27	19
350	62.021.0506.025	3/8"	5/16"	29	22
450	62.021.0606.025	3/8"	3/8"	29	22
	62.021.0608.025	1/2"	3/8"	32	27
415	62.021.0808.025	1/2"	1/2"	32,5	27
	62.021.0810.025	5/8"	1/2"	33	30
350	62.021.1010.025	5/8"	5/8"	35	30
415	62.021.0812.025	3/4"	1/2"	35,5	32
	62.021.1012.025	3/4"	5/8"	37	32
350	62.021.1212.025	3/4"	3/4"	36,5	32
	62.021.1216.025	1"	3/4"	40,5	38
280	62.021.1616.025	1"	1"	41,5	38
210	62.021.1620.025	1"1/4"	1"	45,5	50
	62.021.2020.025	1"1/4"	1"1/4"	46	50
184	62.021.2024.025	1"1/2"	1"1/4"	46	55
	62.021.2424.025	1"1/2"	1"1/2"	46,5	55
165	62.021.3232.025	2"	2"	50	70

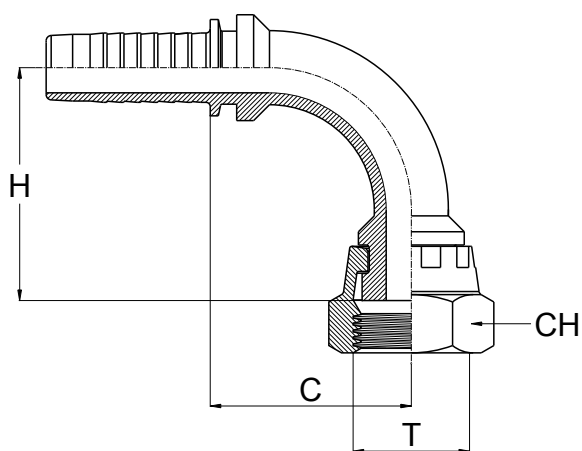
EMBOUTS A SERTIR INOX POUR TUYAUX  
**Embout à sertir femelle BSP à fond plat**



Pression de service (bar)	Code	Filetage T	Ø intérieur tuyau	C	CH
450	62.021.0404.032	1/4"	1/4"	15,5	19
	62.021.0504.032	1/4"	5/16"	16	19
	62.021.0406.032	3/8"	1/4"	16	22
350	62.021.0506.032	3/8"	5/16"	16	22
450	62.021.0606.032	3/8"	3/8"	16	22
	62.021.0608.032	1/2"	3/8"	18	27
415	62.021.0808.032	1/2"	1/2"	18,5	27
350	62.021.1008.032	1/2"	5/8"	20,5	27
415	62.021.0810.032	5/8"	1/2"	18,5	30
350	62.021.1010.032	5/8"	5/8"	20	30
415	62.021.0812.032	3/4"	1/2"	21	32
350	62.021.1012.032	3/4"	5/8"	24	32
	62.021.1212.032	3/4"	3/4"	22	32
	62.021.1216.032	1"	3/4"	23	38
280	62.021.1616.032	1"	1"	24	38
210	62.021.2016.032	1"	1"1/4	25	38
	62.021.1620.032	1"1/4	1"	24,5	50
	62.021.2020.032	1"1/4	1"1/4	25,5	50
185	62.021.2424.032	1"1/2	1"1/2	27	55
165	62.021.3232.032	2"	2"	28	70

# EMBOUS A SERTIR INOX POUR TUYAUX

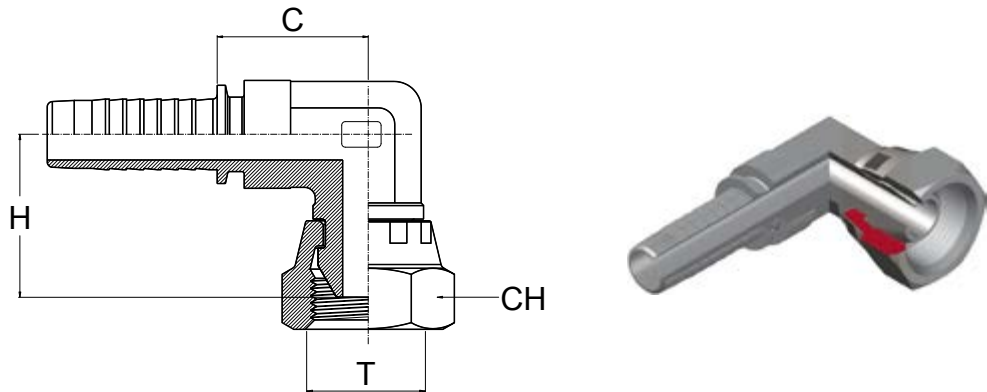
## Embout à sertir femelle BSP à fond plat coudé à 90°



Pression de service (bar)	Code	Filetage T	Ø intérieur tuyau	C	H	CH
450	62.021.0404.033	1/4"	1/4"	23,5	26,4	19
350	62.021.0504.033	1/4"	5/16"	25,5	24,4	19
450	62.021.0406.033	3/8"	1/4"	-	-	22
350	62.021.0506.033	3/8"	5/16"	25,5	33	22
450	62.021.0606.033	3/8"	3/8"	34,5	33	22
	62.021.0608.033	1/2"	3/8"	34,5	33	27
415	62.021.0808.033	1/2"	1/2"	37,5	40,5	27
350	62.021.1008.033	1/2"	5/8"	-	-	27
415	62.021.0810.033	5/8"	1/2"	-	-	30
350	62.021.1010.033	5/8"	5/8"	44,5	48,5	30
415	62.021.0612.033	3/4"	3/8"	35,5	44	32
	62.021.0812.033	3/4"	1/2"	37,5	44	32
350	62.021.1012.033	3/4"	5/8"	44,5	49	32
	62.021.1212.033	3/4"	3/4"	52,5	56	32
280	62.021.1616.033	1"	1"	52,5	71,5	38
210	62.021.2020.033	1"1/4	1"1/4	67,5	83	50
185	62.021.2424.033	1"1/2	1"1/2	-	-	55
165	62.021.3232.033	2"	2"	126	119	70

Disponible également en version coudée à 45°

**BSP (cône 60°) coudé à 90°**

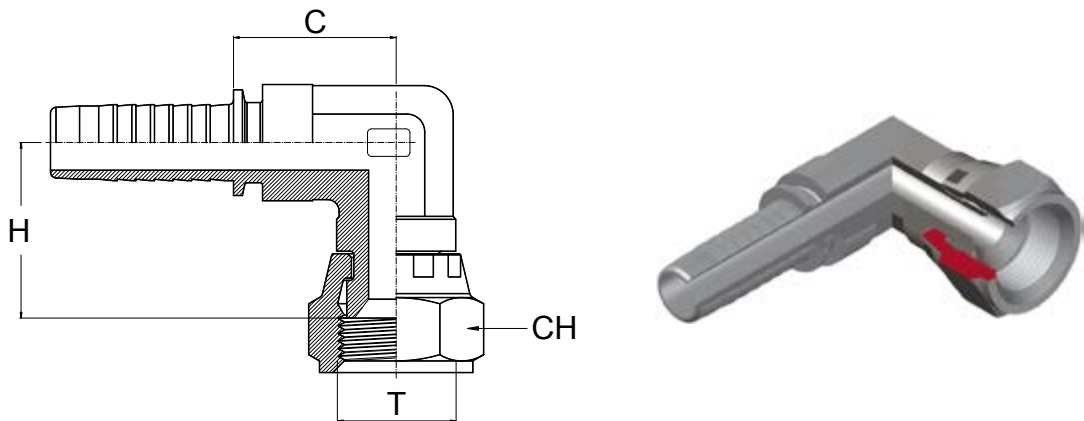


**BSP Cône 60° coudé à 90°**

Pression de service (bar)	Code	Filetage T	Ø intérieur tuyau	C	H	CH
480	62.021.0404.027	1/4"	1/4"	27	25	19
	62.021.0606.027	3/8"	3/8"	25	28,2	22
430	62.021.0808.027	1/2"	1/2"	28	30,2	27
380	62.021.1212.027	3/4"	3/4"	25	37	32
	62.021.1612.027	3/4"	1"	31	40	32
290	62.021.1616.027	1"	1"	31,5	43,5	38

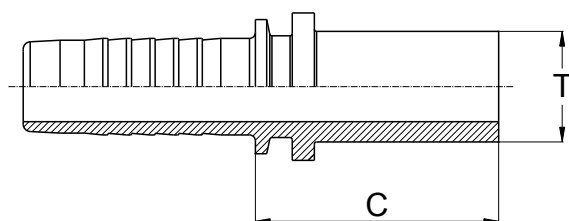
**JIC (cône 74°) coudé à 90°**

28



**JIC Cône 74° coudé à 90°**

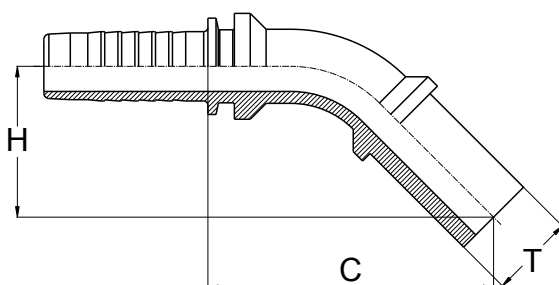
Pression de service (bar)	Code	Filetage T	Ø intérieur tuyau	C	H	CH
480	62.021.0404.056	7/16"	1/4"	27	25	17
	62.021.0606.056	9/16"	3/8"	25	28,2	19
430	62.021.0808.056	3/4"	1/2"	28	30,2	24
380	62.021.1212.056	1"1/16	3/4"	25	37	32
290	62.021.1616.056	1"5/16	1"	31,5	43,5	38



Pression de service (bar)	Code	Ø Tube T	Ø intérieur tuyau	C
415	62.021.0306.007	06 L/S	3/16"	29,5
320	62.021.0406.007	06 L/S	1/4"	29,5
415	62.021.0308.007	08 L/S	3/16"	29,5
450	62.021.0408.007	08 L/S	1/4"	29,5
320	62.021.0508.007	08 L/S	5/16"	29,5
350	62.021.0608.007	08 L/S	3/8"	32
	62.021.0310.007	10 L/S	3/16"	29,5
450	62.021.0410.007	10 L/S	1/4"	29,5
350	62.021.0510.007	10 L/S	5/16"	29,5
330	62.021.0610.007	10 L/S	3/8"	32
450	62.021.0412.007	12 L/S	1/4"	29,5
350	62.021.0512.007	12 L/S	5/16"	32
445	62.021.0612.007	12 L/S	3/8"	32
250	62.021.0812.007	12 L/S	1/2"	33
445	62.021.0414.007	14 S	1/4"	32
	62.021.0614.007	14 S	3/8"	32
415	62.021.0814.007	14 S	1/2"	33
	62.021.0816.007	16 S	1/2"	33
215	62.021.1216.007	16 S	3/4"	36
350	62.021.0820.007	20 S	1/2"	33
	62.021.1020.007	20 S	5/8"	35,5
215	62.021.1220.007	20 S	3/4"	36
350	62.021.1225.007	25 S	3/4"	39
165	62.021.1625.007	25 S	1"	50
250	62.021.1630.007	30 S	1"	50
210	62.021.2030.007	30 S	1"1/4	57,5
	62.021.2038.007	38 S	1"1/4	57,5
250	62.021.0615.007	15 L	3/8"	32
	62.021.0815.007	15 L	1/2"	33
160	62.021.0818.007	18 L	1/2"	33
	62.021.1018.007	18 L	5/8"	35,5
	62.021.1218.007	18 L	3/4"	36
	62.021.1022.007	22 L	5/8"	36
100	62.021.1222.007	22 L	3/4"	36
	62.021.1628.007	28 L	1"	40
	62.021.2035.007	35 L	1"1/4	47,5
	62.021.2442.007	42L	1"1/2	48

EMBOUITS A SERTIR INOX POUR TUYAUX

**Embout à sertir lisse séries L et S coudé à 45°**

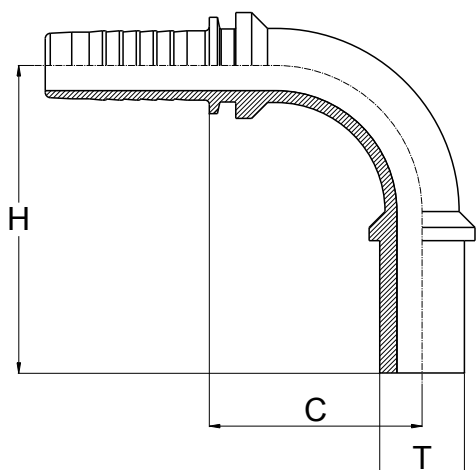


Pression de service (bar)	Code	Ø Tube T	Ø intérieur tuyau	C	CH
415	62.021.0306.063	06 L/S	3/16"	48	27,5
320	62.021.0406.063	06 L/S	1/4"	48,5	23
415	62.021.0308.063	08 L/S	3/16"	-	-
450	62.021.0408.063	08 L/S	1/4"	-	-
320	62.021.0508.063	08 L/S	5/16"	-	-
350	62.021.0310.063	10 L/S	3/16"	-	-
450	62.021.0410.063	10 L/S	1/4"	46	23
350	62.021.0510.063	10 L/S	5/16"	-	-
330	62.021.0610.063	10 L/S	3/8"	63	26
450	62.021.0412.063	12 L/S	1/4"	48,5	22
350	62.021.0512.063	12 L/S	5/16"	-	-
445	62.021.0612.063	12 L/S	3/8"	63	26,5
250	62.021.0812.063	12 L/S	1/2"	74	26,5
445	62.021.0614.063	14 S	3/8"	-	-
415	62.021.0816.063	16 S	1/2"	74,5	26,5
350	62.021.1020.063	20 S	5/8"	73,5	33,5
215	62.021.1220.063	20 S	3/4"	-	-
350	62.021.1225.063	25 S	3/4"	-	-
165	62.021.1625.063	25 S	1"	118,2	48,5
250	62.021.1630.063	30 S	1"	-	-
210	62.021.2038.063	38 S	1"1/4	-	-
250	62.021.0815.063	15 L	1/2"	72	31,5
160	62.021.0818.063	18 L	1/2"	-	-
	62.021.1018.063	18 L	5/8"	-	-
	62.021.1222.063	22 L	3/4"	-	-
100	62.021.1628.063	28 L	1"	-	-
	62.021.2035.063	35 L	1"1/4	-	-
	62.021.2442.063	42L	1"1/2	176,5	55,5



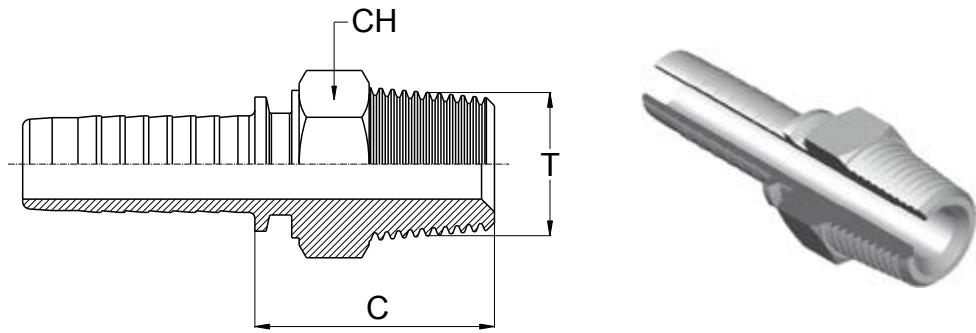
# EMBOUTS A SERTIR INOX POUR TUYAUX

## Embout à sertir lisse séries L et S coudé à 90°



Pression de service (bar)	Code	Ø Tube T	Ø intérieur tuyau	C	CH
415	62.021.0306.008	06 L/S	3/16"	23	39
320	62.021.0406.008	06 L/S	1/4"	25	40,5
415	62.021.0308.008	08 L/S	3/16"	25,7	40
450	62.021.0408.008	08 L/S	1/4"	25	40,5
320	62.021.0508.008	08 L/S	5/16"	22,5	40,5
350	62.021.0310.008	10 L/S	3/16"	23	3
450	62.021.0410.008	10 L/S	1/4"	24	39
350	62.021.0510.008	10 L/S	5/16"	23,5	40,5
330	62.021.0610.008	10 L/S	3/8"	34,5	47,5
450	62.021.0412.008	12 L/S	1/4"	23	39,5
350	62.021.0512.008	12 L/S	5/16"	25,5	39,5
445	62.021.0612.008	12 L/S	3/8"	34,5	46,5
250	62.021.0812.008	12 L/S	1/2"	37,5	58
445	62.021.0614.008	14 S	3/8"	34,5	46,5
415	62.021.0816.008	16 S	1/2"	40	56,5
350	62.021.1020.008	20 S	5/8"	38	60
215	62.021.1220.008	20 S	3/4"	53	74,5
350	62.021.1225.008	25 S	3/4"	55,5	70,5
165	62.021.1625.008	25 S	1"	64,5	87
250	62.021.1630.008	30 S	1"	66	92
210	62.021.2038.008	38 S	1"1/4	-	-
250	62.021.0815.008	15 L	1/2"	40,2	58,1
160	62.021.0818.008	18 L	1/2"	39,5	56,5
	62.021.1018.008	18 L	5/8"	43,5	60,5
	62.021.1222.008	22 L	3/4"	53,5	71
100	62.021.1628.008	28 L	1"	90	90,5
	62.021.2035.008	35 L	1"1/4	89	111,5
	62.021.2442.008	42L	1"1/2	106,5	122,5

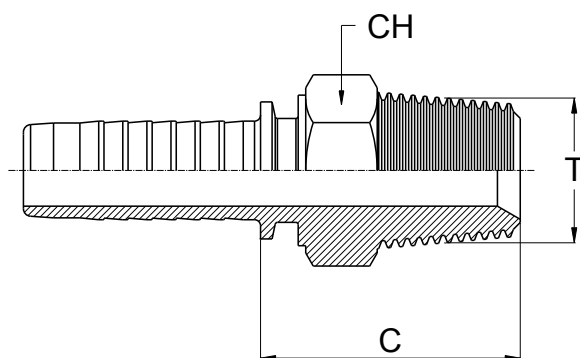
## EMBOUITS A SERTIR INOX POUR TUYAUX Embout à sertir mâle Gaz cône



Pression de service (bar)	Code	Filetage T	Ø intérieur tuyau	C	CH
415	62.021.0302.031	1/8"	3/16"	22,5	14
450	62.021.0402.031	1/8"	1/4"	22,5	14
415	62.021.0304.031	1/4"	3/16"	26,7	14
450	62.021.0404.031	1/4"	1/4"	27	14
350	62.021.0504.031	1/4"	5/16"	27,5	14
450	62.021.0604.031	1/4"	3/8"	27,3	17
	62.021.0406.031	3/8"	1/4"	28,6	19
350	62.021.0506.031	3/8"	5/16"	29	19
450	62.021.0606.031	3/8"	3/8"	29,5	19
415	62.021.0806.031	3/8"	1/2"	29	19
350	62.021.1006.031	3/8"	5/8"	29,5	22
415	62.021.0804.031	1/2"	1/4"	32	22
	62.021.0608.031	1/2"	3/8"	33	22
	62.021.0808.031	1/2"	1/2"	32,5	22
350	62.021.1008.031	1/2"	5/8"	28,5	22
	62.021.1208.031	1/2"	3/4"	36,5	27
	62.021.0812.031	3/4"	1/2"	35	27
	62.021.1012.031	3/4"	5/8"	36,3	27
	62.021.1212.031	3/4"	3/4"	36,5	27
280	62.021.1612.031	3/4"	1"	37,5	32
	62.021.1216.031	1"	3/4"	43,5	36
	62.021.1616.031	1"	1"	44,5	36
210	62.021.2016.031	1"	1"1/4	47	41
	62.021.1620.031	1"14	1"	47	46
	62.021.2020.031	1"14	1"1/4	48	46
185	62.021.2424.031	1"12	1"1/2	46	50
165	62.021.3232.031	2"	2"	49	65

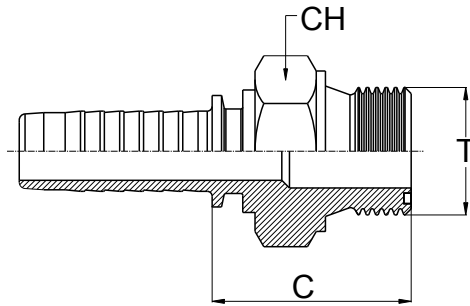
# EMBOUS A SERTIR INOX POUR TUYAUX

## Embout à sertir NPT (Cône 60°)

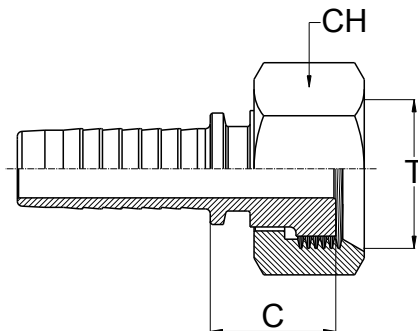


Pression de service (bar)	Code	Filetage T	Ø intérieur tuyau	C	CH
415	62.021.0302.030	1/8"	3/16"	24,5	14
450	62.021.0402.030	1/8"	1/4"	24,5	14
415	62.021.0304.030	1/4"	3/16"	29,1	14
450	62.021.0404.030	1/4"	1/4"	27,5	14
350	62.021.0504.030	1/4"	5/16"	28,5	14
450	62.021.0604.030	1/4"	3/8"	29,3	17
	62.021.0406.030	3/8"	1/4"	29	19
350	62.021.0506.030	3/8"	5/16"	29,3	19
450	62.021.0606.030	3/8"	3/8"	29,3	19
415	62.021.0806.030	3/8"	1/2"	29	19
350	62.021.1006.030	3/8"	5/8"	34,3	22
415	62.021.0408.030	1/2"	1/4"	34,6	22
	62.021.0608.030	1/2"	3/8"	35,1	22
	62.021.0808.030	1/2"	1/2"	34,5	22
350	62.021.1008.030	1/2"	5/8"	28,5	22
	62.021.1208.030	1/2"	3/4"	36,5	27
	62.021.0812.030	3/4"	1/2"	35	27
	62.021.1012.030	3/4"	5/8"	36,3	27
	62.021.1212.030	3/4"	3/4"	36,5	27
280	62.021.1612.030	3/4"	1"	37,5	32
	62.021.1216.030	1"	3/4"	43,5	36
	62.021.1616.030	1"	1"	44,5	36
210	62.021.2016.030	1"	1"1/4	47	41
	62.021.1620.030	1"1/4	1"	47	46
	62.021.2020.030	1"1/4	1"1/4	48	46
185	62.021.2424.030	1"1/2	1"1/2	46	50
165	62.021.3232.030	2"	2"	49	65

## EMBOUTS A SERTIR INOX POUR TUYAUX Embout à sertir mâle et femelle ORFS



Pression de service (bar)	Code	Filetage T	Ø intérieur tuyau	C	CH
450	62.021.0406.043	9/16"	1/4"	23,5	17
350	62.021.0509.043	11/16"	5/16"	27	19
445	62.021.0609.043	11/16"	3/8"	27	19
415	62.021.0811.043	13/16"	1/2"	29	22
350	62.021.1013.043	1"	5/8"	32,5	27
	62.021.1214.043	1"3/16	3/4"	36,5	32
280	62.021.1615.043	1"7/16	1"	40,5	41
210	62.021.2021.043	1"11/16	1"1/4	41,5	46
185	62.021.2432.043	2"	1"1/2	9	55

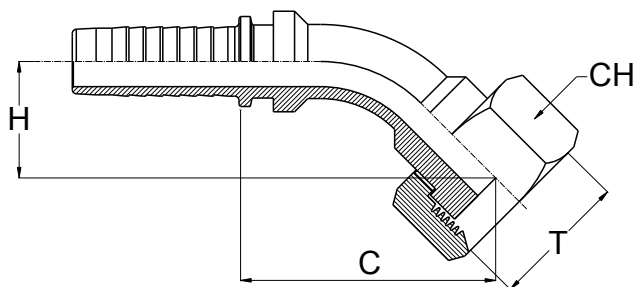


34

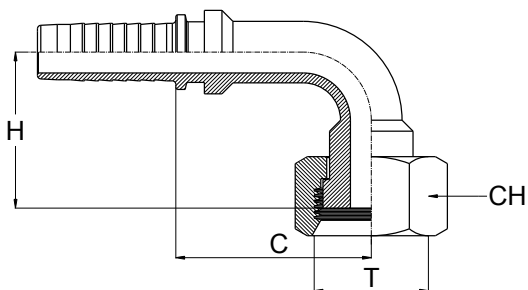
Pression de service (bar)	Code	Filetage T	Ø intérieur tuyau	C	CH
450	62.021.0406.044	9/16"	1/4"	16,7	19
350	62.021.0506.044	9/16"	5/16"	16,7	19
450	62.021.0409.044	11/16"	1/4"	19,3	22
350	62.021.0509.044	11/16"	5/16"	19,3	22
445	62.021.0609.044	11/16"	3/8"	19,3	22
	62.021.0611.044	13/16"	3/8"	19,3	24
415	62.021.0811.044	13/16"	1/2"	31,5	24
	62.021.0813.044	1"	1/2"	-	30
350	62.021.1013.044	1"	5/8"	20,5	30
	62.021.1213.044	1"	3/4"	30,5	30
415	62.021.0814.044	1"3/16	1/2"	30,5	36
350	62.021.1214.044	1"3/16	3/4"	36	36
	62.021.1215.044	1"7/16	3/4"	36	41
280	62.021.1615.044	1"7/16	1"	37	41
210	62.021.2021.044	1"11/16	1"1/4	37	50
185	62.021.2432.044	2"	1"1/2	36,5	60

# EMBOUS A SERTIR INOX POUR TUYAUX

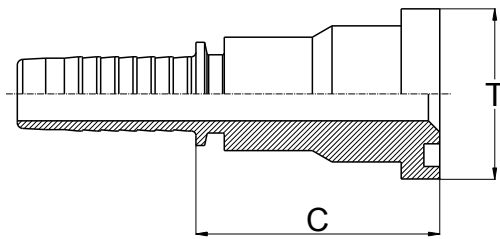
## Embout à sertir femelle ORFS coudé 45 et 90°



Pression de service (bar)	Code	Filetage T	Ø intérieur tuyau	C	H	CH
450	62.021.0406.046	9/16"	1/4"	39,5	18,5	19
	62.021.0409.046	11/16"	1/4"	-	-	22
350	62.021.0509.046	11/16"	5/16"	-	-	22
445	62.021.0609.046	11/16"	3/8"	52,5	22	22
	62.021.0611.046	13/16"	3/8"	-	-	24
415	62.021.0811.046	13/16"	1/2"	-	-	24
	62.021.0813.046	1"	1/2"	-	-	30
350	62.021.1013.046	1"	5/8"	-	-	30
	62.021.1214.046	1"3/16	3/4"	86	32,5	36
	62.021.1215.046	1"7/16	3/4"	-	-	41
280	62.021.1615.046	1"7/16	1"	108	42	41
210	62.021.2021.046	1"11/16	1"1/4	-	-	50
185	62.021.2432.046	2"	1"1/2	-	-	60



Pression de service (bar)	Code	Filetage T	Ø intérieur tuyau	C	H	CH
450	62.021.0406.045	9/16"	1/4"	21,5	28,5	19
350	62.021.0506.045	9/16"	5/16"	24,5	25,5	19
450	62.021.0409.045	11/16"	1/4"	37	36,8	22
350	62.021.0509.045	11/16"	5/16"	-	-	22
445	62.021.0609.045	11/16"	3/8"	34	37,7	22
	62.021.0611.045	13/16"	3/8"	-	-	24
415	62.021.0811.045	13/16"	1/2"	-	-	24
	62.021.0813.045	1"	1/2"	-	-	30
350	62.021.1013.045	1"	5/8"	46	49,5	30
	62.021.1014.045	1"3/16	5/8"	-	-	36
	62.021.1214.045	1"3/16	3/4"	53,5	60,5	36
	62.021.1215.045	1"7/16	3/4"	-	-	41
280	62.021.1615.045	1"7/16	1"	64,5	83	41
210	62.021.2021.045	1"11/16	1"1/4	81	97,5	50
185	62.021.2432.045	2"	1"1/2	-	-	60



**3000 PSI**

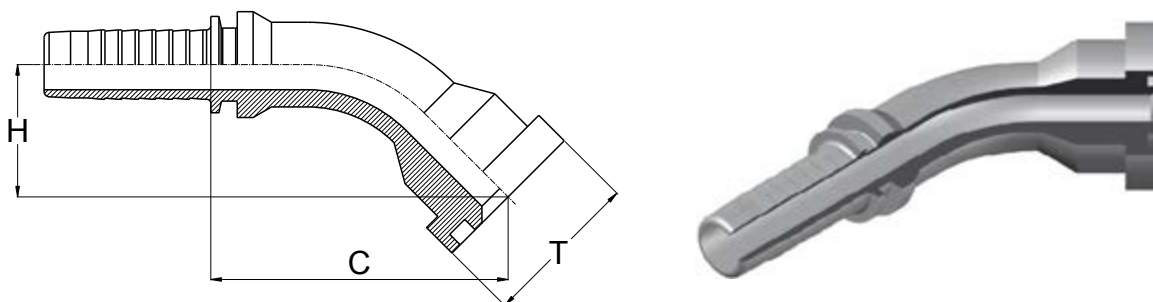
Pression de service (bar)	Code	Bride	Ø intérieur tuyau	T	H
350	62.021.0808.050	1/2"	1/2"	30,2	43
	62.021.0812.050	3/4"	1/2"	38,1	47
	62.021.1012.050	3/4"	5/8"	38,1	48,5
	62.021.1212.050	3/4"	3/4"	38,1	47,5
	62.021.1016.050	1"	5/8"	44,5	54,5
	62.021.1216.050	1"	3/4"	44,5	53,5
280	62.021.1616.050	1"	1"	44,5	54,5
	62.021.1620.050	1"1/4	1"	50,8	56,5
210	62.021.2020.050	1"1/4	1"1/4	50,8	57,5
280	62.021.1624.050	1"1/2	1"	60,3	56,5
210	62.021.2024.050	1"1/2	1"1/4	60,3	62,5
185	62.021.2424.050	1"1/2	1"1/2	60,3	63
-	62.021.2432.050*	2"	1"1/2	71,4	50,5
170	62.021.3232.050	2"	2"	71,4	63
-	62.021.3240.050*	2"1/2	2"	84,1	58
140	62.021.4040.050	2"1/2	2"1/2	84,1	60
90	62.021.4848.050	3"	3"	101,5	132

\* Soudé

**6000 PSI**

Pression de service (bar)	Code	Bride	Ø intérieur tuyau	T	C
415	62.021.0808.053	1/2"	1/2"	31,7	43
	62.021.0812.053	3/4"	1/2"	41,3	53
350	62.021.1012.053	3/4"	5/8"	41,3	54,5
	62.021.1212.053	3/4"	3/4"	41,3	53,5
	62.021.1016.053	1"	5/8"	47,6	59,5
	62.021.1216.053	1"	3/4"	47,6	58,5
280	62.021.1616.053	1"	1"	47,6	59,5
	62.021.1620.053	1"1/4	1"	54	66,5
210	62.021.2020.053	1"1/4	1"1/4	54	67,5
280	62.021.1624.053	1"1/2	1"	-	72,5
210	62.021.2024.053	1"1/2	1"1/4	63,5	72,5
185	62.021.2424.053	1"1/2	1"1/2	63,5	73
172	62.021.2432.053*	2"	1"1/2	79,4	-
	62.021.3232.053	2"	2"	79,4	68
* Soudé					

EMBOUS A SERTIR INOX POUR TUYAUX  
**Embout à sertir coudé 45° Bride SAE 3000 et 6000 PSI**



**3000 PSI**

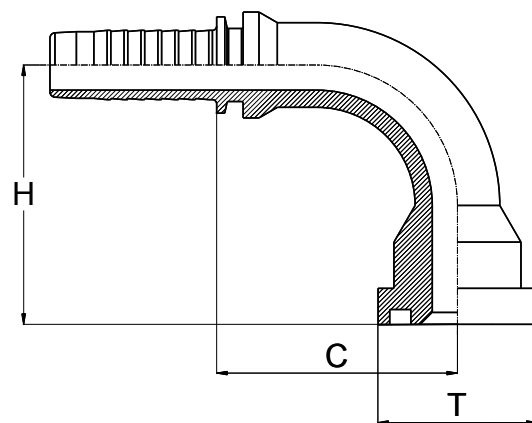
Pression de service (bar)	Code	Bride	Ø intérieur tuyau	T	C	H
350	62.021.0808.052	1/2"	1/2"	30,2	63,5	23
	62.021.0812.052	3/4"	1/2"	38,1	65,7	24
	62.021.1012.052	3/4"	5/8"	38,1	69	37
	62.021.1212.052	3/4"	3/4"	38,1	81	31
280	62.021.1216.052	1"	3/4"	44,5	81,5	31,5
	62.021.1616.052	1"	1"	44,5	102,5	32
210	62.021.1620.052	1"1/4	1"	50,8	-	-
	62.021.2020.052	1"1/4	1"1/4	50,8	132,5	39
185	62.021.2024.052	1"1/2	1"1/4	60,3	-	-
-	62.021.2424.052	1"1/2	1"1/2	60,3	171	46
-	62.021.2432.052	2"	1"1/2	71,4	-	-
170	62.021.3232.052	2"	2"	71,4	-	-
90	62.021.4040.052	2"1/2	2"1/2	84,1	-	-

\* Soudé

**6000 PSI**

Pression de service (bar)	Code	Bride	Ø intérieur tuyau	T	C	H
415	62.021.0808.055	1/2"	1/2"	31,7	67	25
	62.021.0812.055	3/4"	1/2"	41,3	-	-
350	62.021.1212.055	3/4"	3/4"	41,3	83,5	31
	62.021.1216.055	1"	3/4"	47,6	-	-
280	62.021.1616.055	1"	1"	47,6	-	-
	62.021.1620.055	1"1/4	1"	54	-	-
210	62.021.2020.055	1"1/4	1"1/4	54	128,5	36
	62.021.2024.055	1"1/2	1"1/4	63,5	-	-
185	62.021.2424.055	1"1/2	1"1/2	63,5	-	-
-	62.021.2432.055*	2"	1"1/2	79,4	-	-
172	62.021.3232.055	2"	2"	79,4	-	-

\* Soudé



**3000 PSI**

Pression de service (bar)	Code	Bride	Ø intérieur tuyau	T	C	H
350	62.021.0808.051	1/2"	1/2"	30,2	41	50,5
	62.021.0812.051	3/4"	1/2"	38,1	-	-
	62.021.1012.051	3/4"	5/8"	38,1	58	52
	62.021.1212.051	3/4"	3/4"	38,1	51	61,5
280	62.021.1216.051	1"	3/4"	44,5	50	65
	62.021.1616.051	1"	1"	44,5	65	70,5
210	62.021.1620.051	1"1/4	1"	50,8	69,8	86,2
	62.021.2020.051	1"1/4	1"1/4	50,8	83	95
185	62.021.2024.051	1"1/2	1"1/4	60,3	84,2	99
	62.021.2424.051	1"1/2	1"1/2	60,3	113	110
-	62.021.2432.051	2"	1"1/2	71,4	116,5	124
170	62.021.3232.051	2"	2"	71,4	-	-
90	62.021.4040.051	2"1/2	2"1/2	84,1	90	110
	62.021.4848.051	3"	3"	101,5	108	130,5

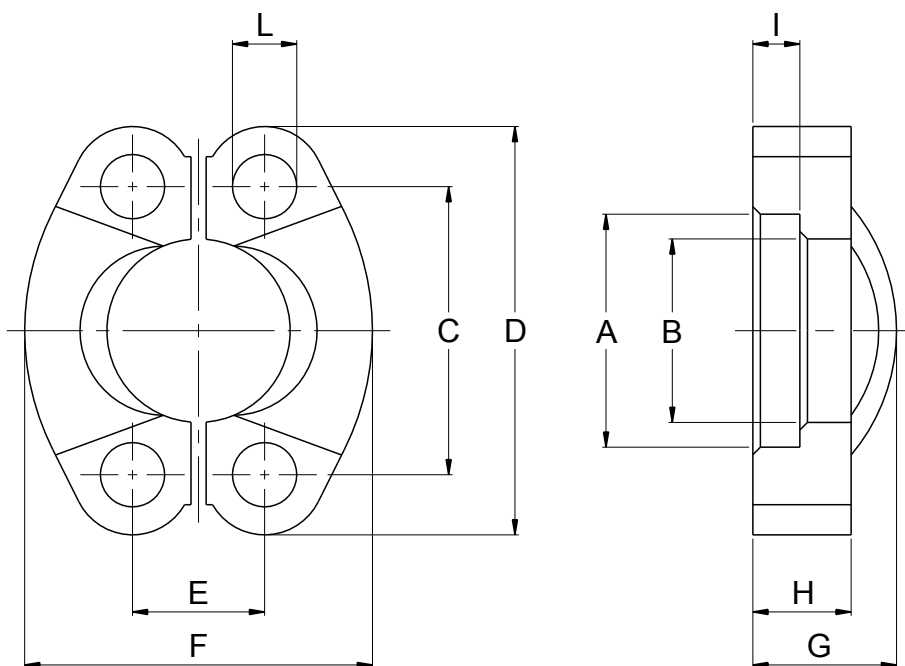
\* Soudé

**6000 PSI**

Pression de service (bar)	Code	Bride	Ø intérieur tuyau	T	C	H
415	62.021.0808.054	1/2"	1/2"	31,7	38,5	50
	62.021.0812.054	3/4"	1/2"	41,3	39,0	47,5
350	62.021.1212.054	3/4"	3/4"	41,3	49,0	63,0
	62.021.1216.054	1"	3/4"	47,6	51,5	59,5
280	62.021.1616.054	1"	1"	47,6	62,0	76,0
	62.021.1620.054	1"1/4	1"	54,0	71,5	86,0
210	62.021.2020.054	1"1/4	1"1/4	54,0	82,0	95,0
	62.021.2024.054	1"1/2	1"1/4	63,5	-	-
185	62.021.2424.054	1"1/2	1"1/2	63,5	111,0	118,0
-	62.021.2432.054*	2"	1"1/2	79,4	-	-
172	62.021.3232.054	2"	2"	79,4	121,0	128,0

\* Soudé





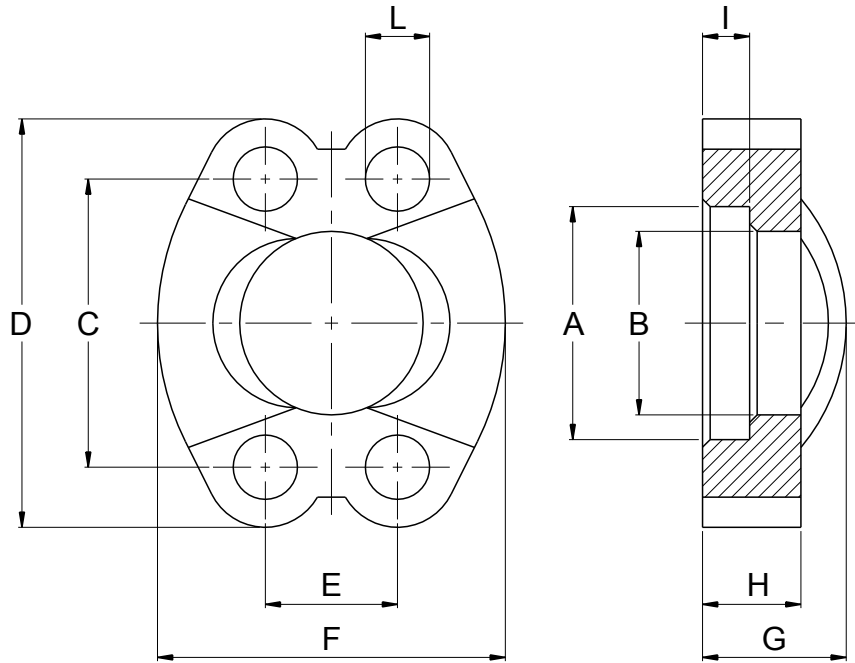
### 3000 PSI

Pression de service (bar)	Code	Pour bride	Dimensions en millimètre									
			A	B	C	D	E	F	G	H	I	L
345	200.203.87001I	1/2"	30,96	24,26	38,10	54,0	17,48	45,6	19	13	6,22	8,75
345	200.203.87002I	3/4"	38,89	32,13	47,63	65,0	22,23	51,8	22	14	6,22	10,75
345	200.203.87003I	1"	45,24	38,48	52,37	70,0	26,19	58,4	24	16	7,49	10,75
276	200.203.87004I	1"1/4	51,59	43,69	58,72	79,0	30,18	72,6	22	14	7,49	12
207	200.203.87005I	1"1/2	61,09	50,80	69,85	94,0	35,71	82,2	25	16	7,49	13,5
207	200.203.87006I	2"	72,24	62,74	77,77	102,0	42,88	96,4	26	16	9,02	13,5

### 6000 PSI

Pression de service (bar)	Code	Pour bride	Dimensions en millimètre									
			A	B	C	D	E	F	G	H	I	L
414	200.203.88001I	1/2"	32,54	24,64	40,49	56	18,24	47,2	22	16	7,24	8,75
	200.203.88002I	3/4"	42,06	32,51	50,80	71	23,80	60	28	19	8,26	11
	200.203.88003I	1"	48,41	38,86	57,15	81	27,76	69,6	33	24	9,02	13
	200.203.88004I	1"1/4	54,76	44,45	66,68	95	31,75	77,2	38	27	9,78	15
	200.203.88005I	1"1/2	64,29	51,56	79,38	113	36,50	95	43	30	12,07	17
	200.203.88006I	2"	80,16	67,56	96,82	133	44,45	113,8	52	37	12,07	21

## EMBOUTS A SERTIR INOX POUR TUYAUX Bride monobloc SAE 3000 et 6000 PSI



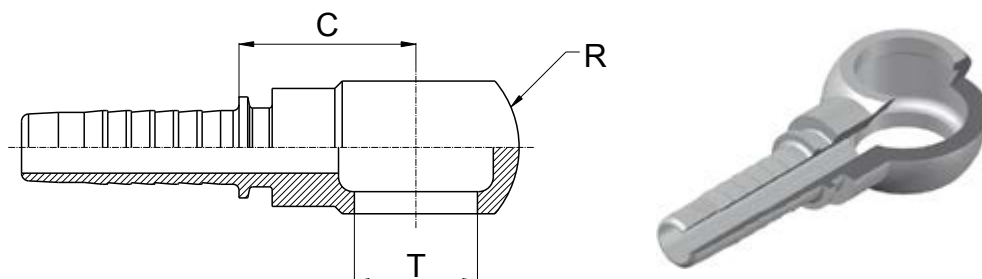
40

### 3000 PSI

Pression de service (bar)	Code	Pour bride	Dimensions en millimètre									
			A	B	C	D	E	F	G	H	I	L
345	200.203.I3012MI	1/2"	30,96	24,26	38,10	54,0	17,48	45,6	19	13	6,22	8,75
345	200.203.I3034MI	3/4"	38,89	32,13	47,63	65,0	22,23	51,8	22	14	6,22	10,75
345	200.203.I3100MI	1"	45,24	38,48	52,37	70,0	26,19	58,4	24	16	7,49	10,75
276	200.203.I3114MI	1"1/4	51,59	43,69	58,72	79,0	30,18	72,6	22	14	7,49	12
207	200.203.I3112MI	1"1/2	61,09	50,80	69,85	94,0	35,71	82,2	25	16	7,49	13,5
207	200.203.I3200MI	2"	72,24	62,74	77,77	102,0	42,88	96,4	26	16	9,02	13,5

### 6000 PSI

Pression de service (bar)	Code	Pour bride	Dimensions en millimètre									
			A	B	C	D	E	F	G	H	I	L
414	200.203.I6012MI	1/2"	32,54	24,64	40,49	56	18,24	47,2	22	16	7,24	8,75
	200.203.I6034MI	3/4"	42,06	32,51	50,80	71	23,80	60	28	19	8,26	11
	200.203.I6100MI	1"	48,41	38,86	57,15	81	27,76	69,6	33	24	9,02	13
	200.203.I6114MI	1"1/4	54,76	44,45	66,68	95	31,75	77,2	38	27	9,78	15
	200.203.I6112MI	1"1/2	64,29	51,56	79,38	113	36,50	95	43	30	12,07	17
	200.203.I6200MI	2"	80,16	67,56	96,82	133	44,45	113,8	52	37	12,07	21

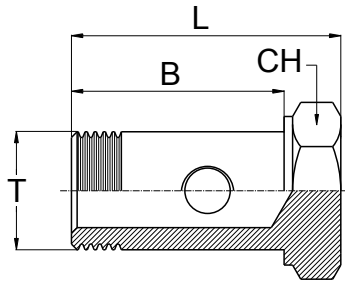


**pour vis série gaz**

Pression de service (bar)	Code	Filetage T	Ø intérieur tuyau	R	C
300	62.021.0304.048	1/4"	3/16"	24	24
	62.021.0404.048	1/4"	1/4"	24	24
	62.021.0406.048	3/8"	1/4"	28	24
	62.021.0506.048	3/8"	5/16"	28	24,5
280	62.021.0606.048	3/8"	3/8"	28	24
	62.021.0408.048	1/2"	1/4"	38	27,5
	62.021.0608.048	1/2"	3/8"	38	27,5
200	62.021.0808.048	1/2"	1/2"	38	28
	62.021.1212.048	3/4"	3/4"	45	38,5
120	62.021.1616.048	1"	1"	58	51,5

**pour vis série métrique**

Pression de service (bar)	Code	Filetage T	Ø intérieur tuyau	R	C
300	62.021.0412.018	12x1,5	1/4"	20	24
	62.021.0414.018	14x1,5	1/4"	24	24
	62.021.0514.018	14x1,5	5/16"	24	24
280	62.021.0614.018	14x1,5	3/8"	24	24
300	62.021.0516.018	16x1,5	5/16"	28	24,5
280	62.021.0616.018	16x1,5	3/8"	28	24
	62.021.0618.018	18x1,5	3/8"	32	24
250	62.021.0818.018	18x1,5	1/2"	32	28
200	62.021.0822.018	22x1,5	1/2"	36	28
	62.021.1226.018	26x1,5	3/4"	45	38,5
120	62.021.1230.018	30x1,5	3/4"	54	38,5

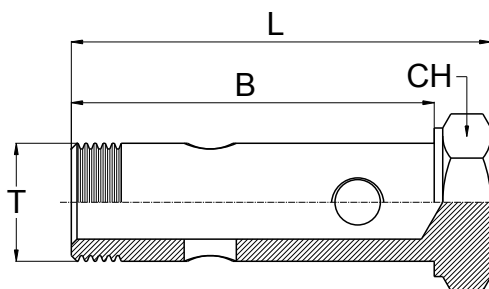


**Série gaz**

Pression de service (bar)	Code	Filetage T	B	L	CH
300	561.018.R1345I	1/8"	23	30	14
	561.014.R1345I	1/4"	27,5	34,5	19
	561.038.R1345I	3/8"	31	40	22
	561.012.R1345I	1/2"	37,5	47,5	27
280	561.034.R1345I	3/4"	47	59	32
	561.100.R1345I	1"	58	70	41
120	561.114.R1345I	1"1/4	-	-	50

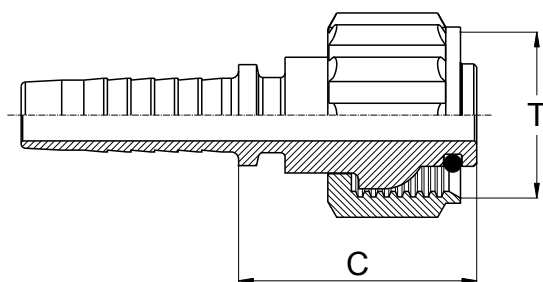
**Série métrique**

Pression de service (bar)	Code	Filetage T	B	L	CH
300	561.1215.R1390I	12x1,5	24	31	17
	561.1415.R1390I	14x1,5	31	40	19
	561.1615.R1390I	16x1,5	31	40	22
	561.1815.R1390I	18x1,5	36	45	24
280	561.2215.R1390I	22x1,5	-	-	27
	561.2615.R1390I	26x1,5	-	-	32
120	561.3015.R1390I	30x1,5	-	-	36

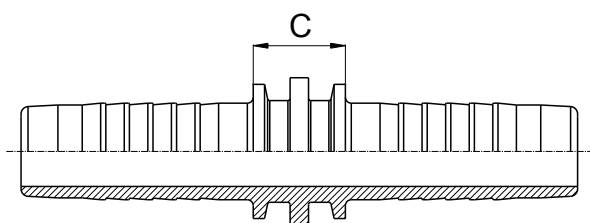


**Vis double Série gaz**

Pression de service (bar)	Code	Filetage T	B	L	CH
300	561.014.R2390I	1/4"	42	52	19
280	561.038.R2390I	3/8"	50	59	22
200	561.012.R2390I	1/2"	64	74	27
	561.034.R2390I	3/4"	-	-	32
120	561.100.R2390I	1"	-	-	41

**Embout à sertir femelle 22x150 pour nettoyeur haute pression / Jonction**

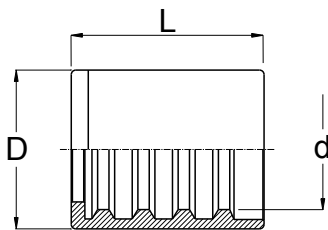
Pression de service (bar)	Code	Filetage T	Ø intérieur tuyau	C
450	62.021.0422.047	22x1,5	1/4"	34,5
350	62.021.0522.047	22x1,5	5/16"	35,5
315	62.021.0622.047	22x1,5	3/8"	35,5
	62.021.0822.047	22x1,5	1/2"	35,5

**Embout à sertir - jonction**

Pression de service (bar)	Code	Ø intérieur tuyau	C
450	62.021.0404.001	1/4"	12,5
350	62.021.0505.001	5/16"	12,5
445	62.021.0606.001	3/8"	12,5
415	62.021.0808.001	1/2"	12,5
350	62.021.1010.001	5/8"	17
	62.021.1212.001	3/4"	14,5
280	62.021.1616.001	1"	17
210	62.021.2020.001	1"1/4	19
185	62.021.2424.001	1"1/2	20
165	62.021.3232.001	2"	21
120	62.021.4040.001	2"1/2	24
70	62.021.4848.001	3"	28

EMBOUTS A SERTIR INOX POUR TUYAUX

**Jupe pour 1SN, 1SC et 2TE / Jupe universelle**



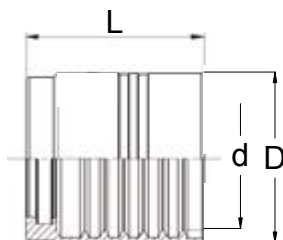
Code	Ø intérieur tuyau	D	d	L
62.011.003.03	3/16"	19	12,8	29,5
62.011.003.04	1/4"	20	14	30
62.011.003.05	5/16"	22	16	30
62.011.003.06	3/8"	24	17,6	32,5
62.011.003.08	1/2"	28	21,2	34
62.011.003.10	5/8"	32	24,9	40
62.011.003.12	3/4"	35	28,7	42
62.011.003.16	1"	45	37	48
62.011.003.20	1"1/4	55	44,6	56
62.011.003.24	1"1/2	60	51,2	63
62.011.003.32	2"	76,2	64,6	76
62.011.003.40*	2"1/2	87	77,8	76
62.011.003.48*	3"	102	92	76

Type de tuyau	Dénudage
R1AT	Non
1SC	Non
2TE	Non
R1A	Oui

Seulement pour 1SC et 2SC

**Jupe universelle**

44



Code	Ø intérieur tuyau	D	d	L
62.011.001.03	3/16"	20	14,4	29,5
62.011.001.04	1/4"	22	16	30
62.011.001.05	5/16"	24	17,5	32
62.011.001.06	3/8"	26	19,6	32
62.011.001.08	1/2"	30	23	34
62.011.001.10	5/8"	33	26,1	38
62.011.001.12	3/4"	38	30,2	42
62.011.001.16	1"	46	38,7	48
62.011.001.20	1"1/4	60	49	56
62.011.001.24	1"1/2	65	55,5	63
62.011.001.32	2"	80	68,5	74

Seulement pour 2SN et 2SC

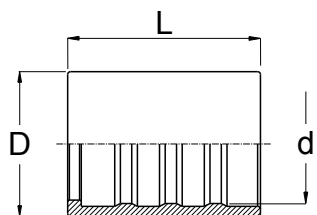
Type de tuyau	Dénudage
R1AT	Non
R2AT	Non
1SC	Non
2SC	Non
4SP	Oui
4SH	Oui
R12	Oui
R13	Oui
R15	Oui
Alfabiotech	Oui

Nouvelles jupes universelles :

Une jupe par diamètre quelque soit le type de tuyaux utilisé.

Fiables : Leur profil interne assure toujours une étanchéité parfaite en particulier lors de l'utilisation avec les tuyaux 4SP et 4SH.

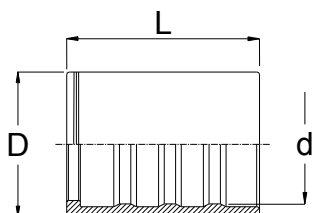
Economiques : Diminution du stock, une seule référence pour une taille de tuyaux.



Jupe pour tuyaux :

- SAE 100 R7 (EN855 R7)
- SAE 100 R 8 (EN 855 R8)
- SAE 100 R 6 (EN 854 1TE)
- SAE 100 R 1 (MHT1)

Code	Ø intérieur tuyau	D	d	L
62.011.006.02	1/8"	12	9	24
62.011.006.03	3/16"	14	10,7	26
62.011.006.04	1/4"	17	13,6	29,5
62.011.006.05	5/16"	19	15,2	30
62.011.006.06	3/8"	21	16,8	31
62.011.006.08	1/2"	25,5	21	34
62.011.006.10	5/8"	28,5	24	37
62.011.006.12	3/4"	32	27,5	42
62.011.006.16	1"	43,5	36	48

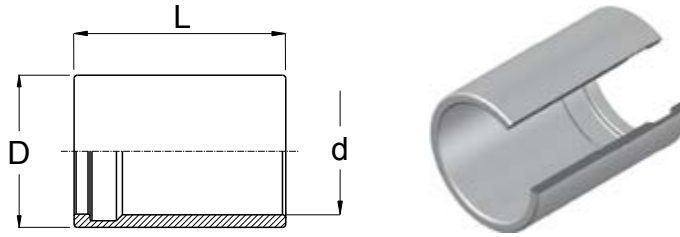


Jupe pour tuyaux :

- SAE 100 R 3 (EN 854 R3)
- SAE 100 R 4 (EN 854 3TE)

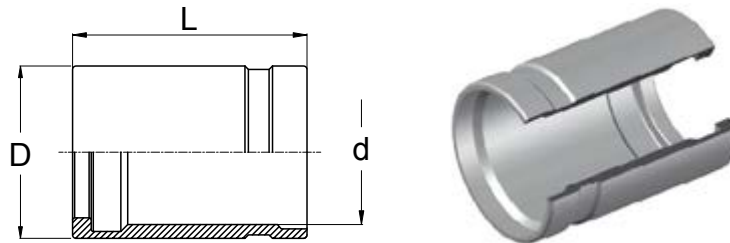
Code	Ø intérieur tuyau	D	d	L
62.011.023.03	3/16"	*	*	*
62.011.023.04	1/4"	19	15,3	29,5
62.011.023.05	5/16"	22	18,5	30
62.011.023.06	3/8"	24	19,9	31
62.011.023.08	1/2"	28,5	25	34
62.011.023.10	5/8"	32	28	37
62.011.023.12	3/4"	38	32,6	42
62.011.023.16	1"	46	39,5	48
62.011.023.20	1"1/4	52	46	56
62.011.023.24	1"1/2	60	53	63
62.011.023.32	2"	76	65	76

**Jupe pour PTFE lisse**



Code	Ø intérieur tuyau	D	d	L
62.071.014.04	1/8"	12	8	24
62.071.014.05	3/16"	12	9,1	25,5
62.071.014.06	1/4"	14	11,3	29,5
62.071.014.08	5/16"	17	13,5	32
62.071.014.10	3/8"	19	15,7	32
62.071.014.13	1/2"	23	19,2	32
62.071.014.16	5/8"	27	21,6	37
62.071.014.19	3/4"	30	25,2	43
62.071.014.25	1"	37	32	48

**Jupe pour PTFE convoluté**



Code	Ø intérieur tuyau	D	d	L
62.071.023.03	1/4"	16	12,5	29,5
62.071.023.04	5/16"	17	13	30
62.071.023.05	3/8"	21,5	17,8	31
62.071.023.06	1/2"	25	21	34
62.071.023.10	5/8"	29	24,5	37
62.071.023.12	3/4"	34	29	42
62.071.023.16	1"	40	34,8	48
62.071.023.20	1"1/4	48	42	56
62.071.023.24	1"1/2	55	49	63
62.071.023.32	2"	69	63	74

Pour les tuyaux convolutés, nous vous suggérons d'enrouler le raccord sur sa longueur avec 2 tours de ruban PTFE avant l'insertion dans le tuyau.



# EMBOUTS A SERTIR INOX POUR TUYAUX

---

## INTERLOCK

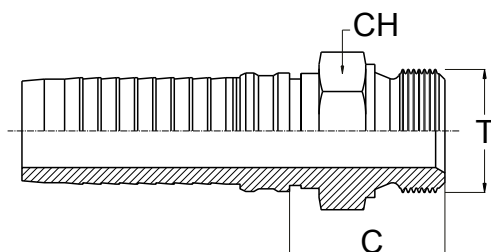




Bride SAE .....	58
BSP (cône 60°) .....	50
JIC (cône 74°) .....	52
Jupe .....	61
DIN série L (cône 24°) .....	54
DIN série S (cône 24°) .....	56
NPT .....	54

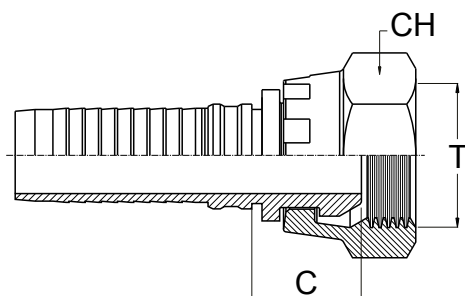
## EMBOUTS INTERLOCK INOX POUR TUYAUX

## Embout à sertir interlock BSP (cône 60°) Mâle et femelle



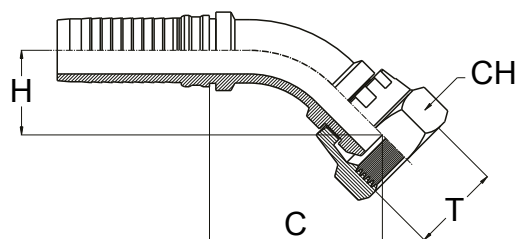
Pression de service (bar)	Code	Filetage T	Ø intérieur tuyau	C	CH
420	62.061.1212.034	3/4"	3/4"	34	32
414	62.061.1616.034	1"	1"	39	38
	62.061.2020.034	1"1/4	1"1/4	44	50
345	62.061.2424.034	1"1/2	1"1/2	44	55
	62.061.3232.034	2"	2"	49	70

50



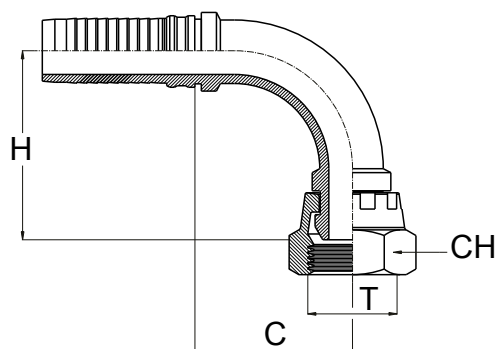
Pression de service (bar)	Code	Filetage T	Ø intérieur tuyau	C	CH
420	62.061.1212.035	3/4"	3/4"	34	32
414	62.061.1616.035	1"	1"	39	38
	62.061.2020.035	1"1/4	1"1/4	44	50
345	62.061.2424.035	1"1/2	1"1/2	44	55
	62.061.3232.035	2"	2"	49	70

EMBOUS INTERLOCK INOX POUR TUYAUX  
**Embout à sertir interlock BSP (cône 60°) coudé à 45 et 90°**



Version coudé à 45°

Pression de service (bar)	Code	Filetage T	Ø intérieur tuyau	C	H	CH
420	62.061.1212.037	3/4"	3/4"	88	35,5	32
414	62.061.1616.037	1"	1"	110	40,5	38
	62.061.2020.037	1"1/4	1"1/4	136,5	45	50
345	62.061.2424.037	1"1/2	1"1/2	168,5	54,5	55
	62.061.3232.037	2"	2"	186	50	70

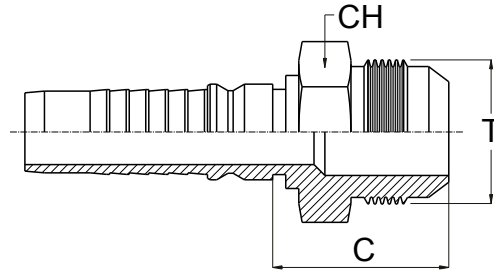


Version coudé à 90°

Pression de service (bar)	Code	Filetage T	Ø intérieur tuyau	C	H	CH
420	62.061.1212.036	3/4"	3/4"	48	59,5	32
414	62.061.1616.036	1"	1"	65,5	77,5	38
	62.061.2020.036	1"1/4	1"1/4	83	88	50
345	62.061.2424.036	1"1/2	1"1/2	112	104	55
	62.061.3232.036	2"	2"	125	121	70

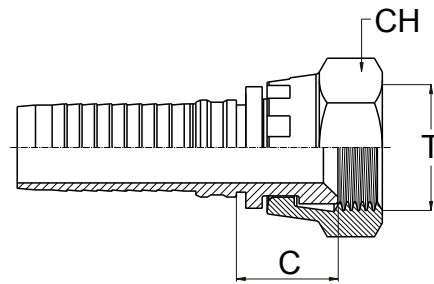
## EMBOUTS INTERLOCK INOX POUR TUYAUX

## Embout à sertir interlock JIC (cône 74°) Mâle et femelle



Pression de service (bar)	Code	Filetage T	Ø intérieur tuyau	C	CH
420	62.061.1212.038	1"1/16	3/4"	37	27
	62.061.1216.038	1"5/16	3/4"	40,5	36
414	62.061.1616.038	1"5/16	1"	41,5	36
	62.061.2020.038	1"5/8	1"1/4	44	46
345	62.061.2424.038	1"7/8	1"1/2	49	50
	62.061.3232.038	2"1/2	2"	-	65

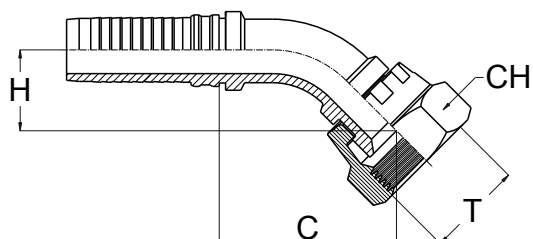
52



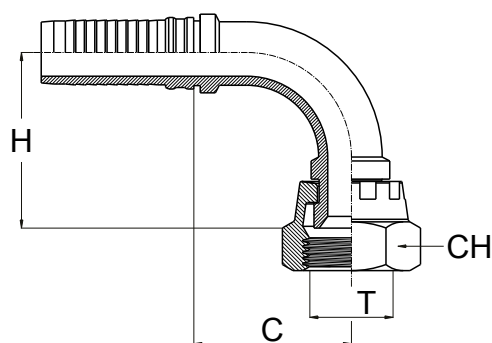
Pression de service (bar)	Code	Filetage T	Ø intérieur tuyau	C	CH
420	62.061.1212.039	1"1/16	3/4"	22,7	32
	62.061.1216.039	1"5/16	3/4"	22,7	38
414	62.061.1616.039	1"5/16	1"	23	38
	62.061.2020.039	1"5/8	1"1/4	25,5	50
345	62.061.2424.039	1"7/8	1"1/2	25,5	55
	62.061.3232.039	2"1/2	2"	30	70

# EMBOUS INTERLOCK INOX POUR TUYAUX

## Embout à sertir interlock JIC (cône 74°) coudé à 45 et 90°



Pression de service (bar)	Code	Filetage T	Ø intérieur tuyau	C	H	CH
420	62.061.1212.041	1"1/16	3/4"	88	35,8	32
	62.061.1216.041	1"5/16	3/4"	83,5	26	38
414	62.061.1616.041	1"5/16	1"	114,5	43	38
	62.061.2020.041	1"5/8	1"1/4	134,5	45,5	50
345	62.061.2424.041	1"7/8	1"1/2	180	60,5	55



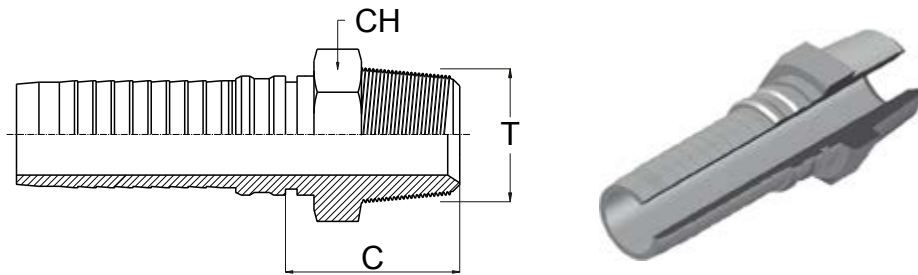
Pression de service (bar)	Code	Filetage T	Ø intérieur tuyau	C	H	CH
420	62.061.1212.040	1"1/16	3/4"	88	35,8	32
	62.061.1216.040	1"5/16	3/4"	83,5	26	38
414	62.061.1616.040	1"5/16	1"	114,5	43	38
	62.061.2020.040	1"5/8	1"1/4	134,5	45,5	50
345	62.061.2424.040	1"7/8	1"1/2	180	60,5	55

EMBOUS INOX POUR TUYAUX

INTERLOCK

53

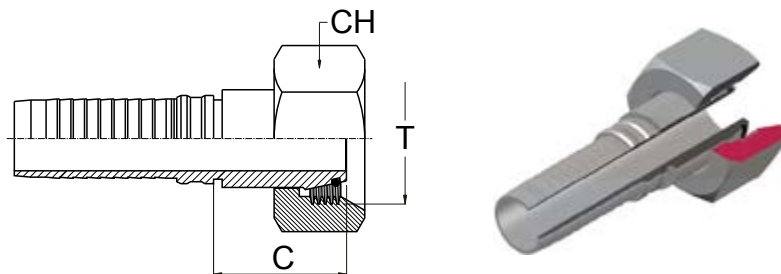
## EMBOUTS INTERLOCK INOX POUR TUYAUX

**Embout à sertir interlock mâle NPT (cône 60°) / Femelle DIN série L (cône 24°)****Mâle NPT**

Pression de service (bar)	Code	Filetage T	Ø intérieur tuyau	C	CH
420	62.061.1212.030	3"4	3/4"	34,5	27
	62.061.1616.030	1"	1"	42,5	36
	62.061.2020.030	1"1/4	1"1/4	45,5	46
	62.061.2424.030	1"1/2	1"1/2	47	50
345	62.061.3232.030	2"	2"	50,5	65

**Femelle DIN série L (cône 24°)**

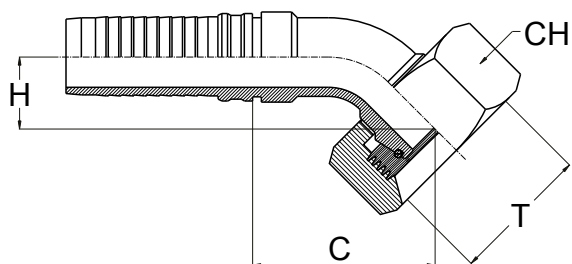
54

**Femelle DIN Série L + O-Ring**

Pression de service (bar)	Code	Filetage T	Ø intérieur tuyau	DIN 24°	C	CH
280	62.061.1222.020	30x2	3/4"	22L	32,5	36
185	62.061.1628.020	36x2	1"	28L	33	41
165	62.061.2035.020	45x2	1"1/4	35L	33	50
130	62.061.2442.020	52x2	1"1/2	42L	33	60

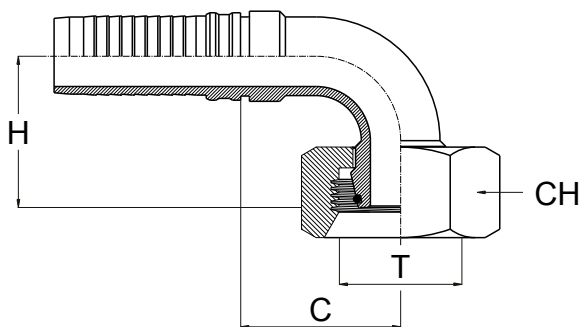


**Embout à sertir interlock femelle DIN série L (Cône 24°) coudé 45 et 90°**



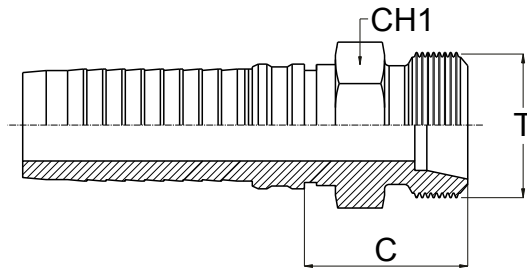
**Femelle DIN série L + O-Ring coudé à 45°**

Pression de service (bar)	Code	Filetage T	Ø intérieur tuyau	DIN 24°	C	H	CH
280	62.061.1220.022	30x2	3/4"	22L	85	-	36
185	62.061.1628.022	36x2	1"	28L	87	-	41
165	62.061.2035.022	45x2	1"1/4	35L	135	-	50
130	62.061.2442.022	52x2	1"1/2	42L	-	-	60



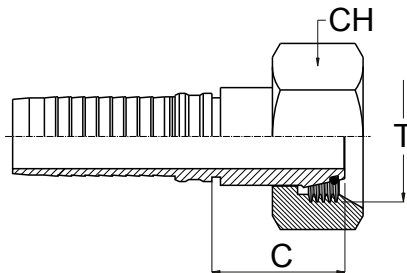
**Femelle DIN série L + O-Ring coudé à 90°**

Pression de service (bar)	Code	Filetage T	Ø intérieur tuyau	DIN 24°	C	H	CH
280	62.061.1222.061	30x2	3/4"	22L	53	60,5	36
185	62.061.1628.061	36x2	1"	28L	61	84,5	41
165	62.061.2035.061	45x2	1"1/4	35L	82,5	93,5	50
130	62.061.2442.061	52x2	1"1/2	42L	104	111	60

**Mâle DIN série S**

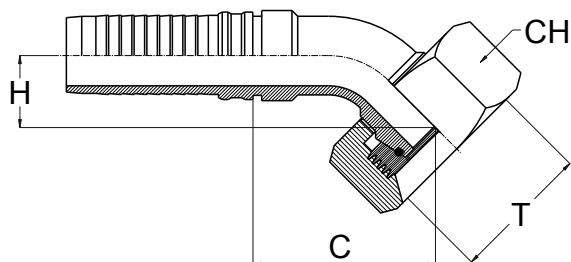
Pression de service (bar)	Code	Filetage T	Ø intérieur tuyau	DIN 24°	C	CH
420	62.061.1220.006	30x2	3/4"	20S	32,5	30
	62.061.1225.006	36x2	3/4"	25S	36	36
414	62.061.1625.006	36x2	1"	25S	36	36
280	62.061.1630.006	42x2	1"	30S	38	46
250	62.061.2038.006	52x2	1"1/4	38S	44	55

56

**Femelle DIN Série S + O-Ring**

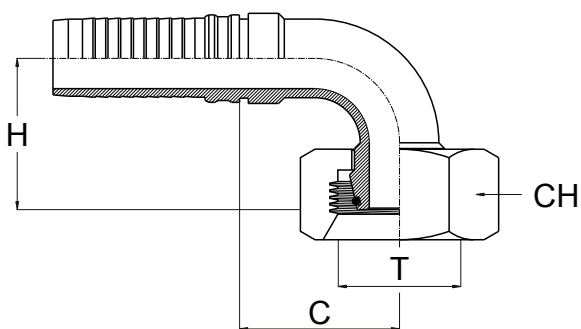
Pression de service (bar)	Code	Filetage T	Ø intérieur tuyau	DIN 24°	C	CH
420	62.061.1220.024	30x2	3/4"	20S	32	36
	62.061.1225.024	36x2	3/4"	25S	32	46
414	62.061.1625.024	36x2	1"	25S	33	46
280	62.061.1630.024	42x2	1"	30S	33	50
250	62.061.2038.024	52x2	1"1/4	38S	40	60
	62.061.2438.024	52x2	1"1/2	38S	40	60
	62.061.2450.024	68x2	1"1/2	50S	-	80

**Embout à sertir interlock femelle DIN série S + O-Ring (Cône 24°) coudé 45 et 90°**



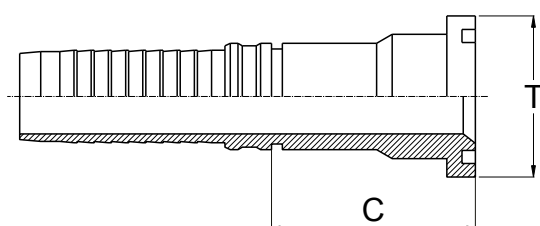
Femelle DIN série S + O-Ring coudé à 45°

Pression de service (bar)	Code	Filetage T	Ø intérieur tuyau	DIN 24°	C	H	CH
420	62.061.1220.028	30x2	3/4"	20S	85	29,5	36
	62.061.1225.028	36x2	3/4"	25S	87	35	46
414	62.061.1625.028	36x2	1"	25S	104,5	32,5	46
280	62.061.1630.028	42x2	1"	30S	108	35	50
250	62.061.2038.028	52x2	1"1/4	38S	135	62	60
	62.061.2438.028	52x2	1"1/2	38S	-	-	80



Femelle DIN série S + O-Ring coudé à 90°

Pression de service (bar)	Code	Filetage T	Ø intérieur tuyau	DIN 24°	C	H	CH
420	62.061.1220.026	30x2	3/4"	20S	50	64	36
	62.061.1225.026	36x2	3/4"	25S	50,5	60,5	46
414	62.061.1625.026	36x2	1"	25S	64	80,5	46
280	62.061.1630.026	42x2	1"	30S	64	77,5	50
250	62.061.2038.026	52x2	1"1/4	38S	79	93,5	60
	62.061.2438.026	52x2	1"1/2	38S	-	-	80



**3000 PSI**

Pression de service (bar)	Code	Bride	Ø intérieur tuyau	T	C
350	62.061.1212.050	3/4"	3/4"	38,1	45
	62.061.1216.050	1"	3/4"	44,5	-
280	62.061.1616.050	1"	1"	44,5	52
	62.061.1620.050	1"1/4	1"	50,8	52
210	62.061.2020.050	1"1/4	1"1/4	50,8	53
	62.061.2024.050	1"1/2	1"1/4	60,3	60
185	62.061.2424.050	1"1/2	1"1/2	60,3	60
170	62.061.3232.050	2"	2"	71,4	62
	62.061.3240.050*	2"1/2	2"	84,1	57

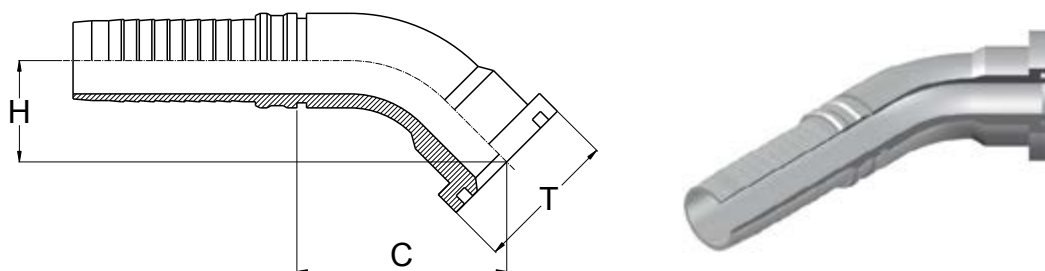
\* Soudé

**6000 PSI**

Pression de service (bar)	Code	Bride	Ø intérieur tuyau	T	C
420	62.061.1212.053	3/4"	1/2"	41,3	51
	62.061.1216.053	1"	3/4"	47,6	56
415	62.061.1616.053	1"	1"	47,6	57
	62.061.1620.053	1"1/4	1"	54	57
	62.061.2020.053	1"1/4	1"1/4	54	65
	62.061.2024.053	1"1/2	1"1/4	63,5	69
	62.061.2424.053	1"1/2	1"1/2	63,5	75
345	62.061.3232.053	2"	2"	79,4	63
	62.061.3240.053*	2"1/2	2"	79,4	57

\* Soudé

## Embout à sertir interlock Bride SAE 3000 et 6000PSI soudé à 45°



## 3000 PSI

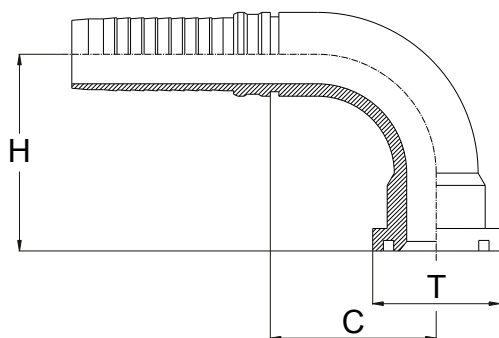
Pression de service (bar)	Code	Bride	Ø intérieur tuyau	T	C	H
350	62.061.1212.052	3/4"	3/4"	38,1	78,5	31
	62.061.1216.052	1"	3/4"	44,5	79	31,5
280	62.061.1616.052	1"	1"	44,5	100	32
	62.061.1620.052	1"1/4	1"	50,8	-	-
210	62.061.2020.052	1"1/4	1"1/4	50,8	125,5	39
	62.061.2024.052	1"1/2	1"1/4	60,3	-	-
185	62.061.2424.052	1"1/2	1"1/2	60,3	168	46
170	62.061.2432.052*	2"	1"1/2	71,4	-	-
	62.061.3240.052	2"	2"	71,4	-	-

\* Soudé

## 6000 PSI

Pression de service (bar)	Code	Bride	Ø intérieur tuyau	T	C	H
420	62.061.1212.055	3/4"	3/4"	41,3	-	-
	62.061.1216.055	1"	3/4"	47,6	-	-
415	62.061.1616.055	1"	1"	47,6	94,2	31,8
	62.061.1620.055	1"1/4	1"	54	-	-
	62.061.2020.055	1"1/4	1"1/4	54	-	-
	62.061.2024.055	1"1/2	1"1/4	63,5	-	-
345	62.061.2424.055	1"1/2	1"1/2	63,5	-	-
	62.061.2432.055*	2"	1"1/2	79,4	-	-
	62.061.3232.055	2"	2"	79,4	-	-

\* Soudé

**3000 PSi**

Pression de service (bar)	Code	Bride	Ø intérieur tuyau	T	C	H
350	62.061.1212.051	3/4"	3/4"	38,1	48,5	61,5
	62.061.1216.051	1"	3/4"	44,5	47,5	65
280	62.061.1616.051	1"	1"	44,5	63	77
	62.061.1620.051	1"1/4	1"	50,8	60	79
210	62.061.2020.051	1"1/4	1"1/4	50,8	78,5	99
	62.061.2024.051	1"1/2	1"1/4	60,3	74	105,5
185	62.061.2424.051	1"1/2	1"1/2	60,3	109,5	110,5
	62.061.2432.051*	2"	1"1/2	71,4	125,5	127
170	62.061.3232.051	2"	2"	71,4	125,5	129,5

\* Soudé

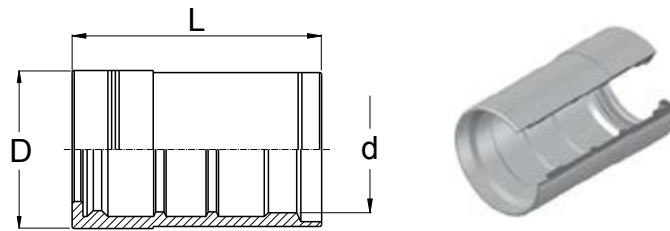
60

**6000 PSi**

Pression de service (bar)	Code	Bride	Ø intérieur tuyau	T	C	H
420	62.061.1212.054	3/4"	3/4"	41,3	46,5	63
	62.061.1216.054	1"	3/4"	47,6	52	61,5
415	62.061.1616.054	1"	1"	47,6	58	76
	62.061.1620.054	1"1/4	1"	54	57	83
	62.061.2020.054	1"1/4	1"1/4	54	84,5	95,5
	62.061.2024.054	1"1/2	1"1/4	63,5	-	-
345	62.061.2424.054	1"1/2	1"1/2	63,5	108	118
	62.061.2432.054*	2"	1"1/2	79,4	-	-
	62.061.3232.054	2"	2"	79,4	125	130

\* Soudé

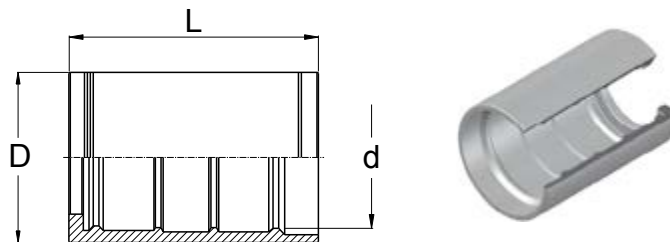
## Jupe Interlock pour tuyaux 4SH



Code	Ø intérieur tuyau	D	d	L
62.011.004.12**	3/4"	38	30	60
62.011.004.16**	1"	46	37,2	74
62.011.004.20	1"1/4	55	44,2	88
62.011.004.24	1"1/2	62	51,3	88
62.011.004.32	1"	79,5	66	99

\*\*Egalement pour tuyaux SAE 100 R13 - SAE 100 R15

## Jupe Interlock pour tuyaux R13 et R15 (EN 856)



Code	Ø intérieur tuyau	D	d	L
62.011.005.20	1"1/4	60	49,5	88
62.011.005.24	1"1/2	67	56	88
62.011.005.32	1"	84,5	71	99





# RACCORDS ET ADAPTEURS INOX

---

## DIN 2353 - Iso 8434-1



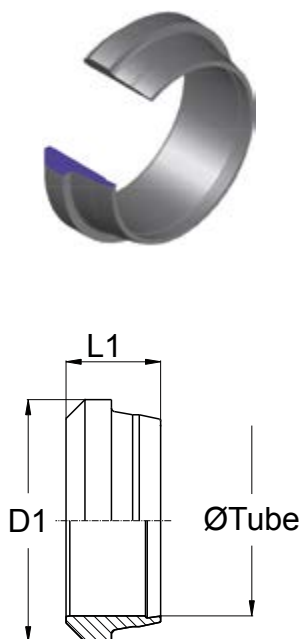


Bague coupante DIN standard .....	67
Bague coupante DIN avec traitement spécial et joint FPM encastré .....	67
Ecrou DIN .....	68
Adapteur mâle DIN série L x mâle BSP (nu) .....	69
Adapteur mâle DIN série S x mâle BSP (nu) .....	70
Adapteur mâle DIN série L x mâle métrique (nu) .....	71
Adapteur mâle DIN série S x mâle métrique (nu).....	72
Adapteur mâle DIN série L x mâle BSP avec joint encastré (nu) .....	73
Adapteur mâle DIN série S x mâle BSP avec joint encastré (nu) .....	74
Adapteur mâle DIN série L x mâle métrique avec joint encastré (nue .....	75
Adapteur mâle DIN série S x mâle métrique avec joint encastré (nu) .....	76
Adapteur mâle DIN série L x femelle BSP (nu) .....	77
Adapteur mâle DIN série S x femelle BSP (nu) .....	77
Adapteur mâle DIN série L x femelle métrique (nu) .....	78
Adapteur mâle DIN série S x femelle métrique (nu) .....	78
Adapteur mâle DIN série L x femelle NPT (nu) .....	79
Adapteur mâle DIN série S x femelle NPT (nu).....	79
Adapteur mâle DIN série L x mâle UNF avec joint O-Ring (nu) .....	80
Adapteur mâle DIN série S x mâle UNF avec joint O-Ring (nu) .....	81
Adapteur mâle DIN série L x mâle Gaz cône (nu) .....	82
Adapteur mâle DIN série S x mâle Gaz cône (nu).....	83
Adapteur mâle DIN série L x mâle NPT nu) .....	84
Adapteur mâle DIN série S x mâle NPT (nu) .....	85
Coude mâle DIN série L x mâle Gaz cône (nu) .....	86
Coude mâle DIN série S x mâle Gaz cône (nu) .....	87
Coude mâle DIN série L x mâle NPT (nu) .....	88
Coude mâle DIN série S x mâle NPT (nu).....	89
Té mâle DIN x mâle BSP central (nu) .....	90
Té mâle DIN x mâle Gaz cône latéral (nu) .....	91
Té mâle DIN x mâle NPT (nu) .....	92
Union double mâle DIN (nue) .....	93

**Sommaire**

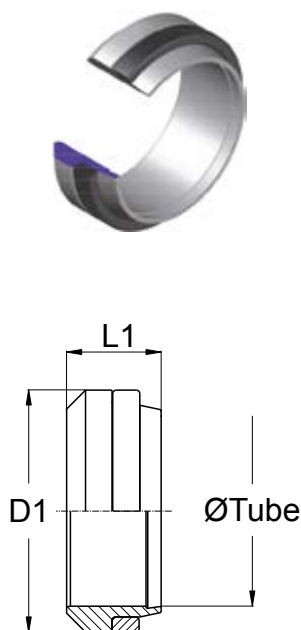
Union double mâle DIN passe cloison + contre écrou (nue) .....	94
Coude égal passe cloison mâle DIN + contre-écrou (nu) .....	95
Coude égal mâle DIN (nu) .....	96
Té égal mâle DIN (nu) .....	97
Croix égale mâle DIN (nue) .....	98
Union double de réduction mâle DIN L (nue) .....	99
Union double de réduction mâle DIN S (nue) .....	100
Té de réduction mâle DIN L (nu) .....	101
Té de réduction mâle DIN S (nue) .....	102
Passe cloison mâle DIN x mâle BSP joint encastré et contre-écrou (nu) .....	103
Union mâle DIN à souder (nue) .....	104
Embout DIN à souder + joint O-ring .....	105
Obtuteur DIN avec joint O-ring .....	106
Bouchon mâle 6 pans creux avec joint encastré .....	107
Bouchon hexagonal mâle DIN (cône 24°) .....	108
Contre-écrou DIN .....	109
Adapteur DIN écrou tournant à jonc x mâle BSP avec joint encastré .....	110
Adapteur DIN écrou tournant à jonc x mâle métrique avec joint encastré .....	111
Adapteur DIN écrou tournant à jonc x mâle UNF/UN-2A avec joint encastré ....	112
Union DIN équipée avec écrou tournant à jonc / Union de réduction .....	113
Coude orientable DIN avec écrou tournant à jonc (nu) .....	114
Té orientable latéral DIN avec écrou tournant à jonc (nu).....	115
Té orientable central DIN avec écrou tournant à jonc (nu) .....	116
Union de réduction DIN L avec écrou tournant à jonc (nue) .....	117
Union de réduction DIN S avec écrou tournant à jonc (nue) .....	118
Coude orientable mâle DIN x mâle BSP ou mâle métrique avec joint (nu) .....	119
Bague BS .....	120

RACCORDS ET ADAPTEURS INOX **DIN 2353 - Iso 8434-1**  
**Bague coupante DIN standard / avec joint encastré**

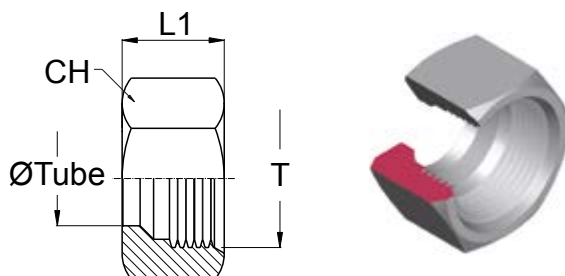


DIN Série	Pression de service (bar)	Code	Ø ext. tube	L1	D1	D2
LL	100	64.011.088LL04	4	6	6	-
		64.011.088LL06	6	7	8	-
		64.011.088LL08	8	7	10	-
L/S	900	64.041.088LS06	6	9,5	10	10
		64.041.088LS08	8	9,5	12	12
	800	64.041.088LS10	10	10	14	14
L	450	64.041.088L015	15	10	19	20
		64.041.088L018	18	10	23	23
	300	64.041.088L022	22	10,5	27	27
		64.041.088L028	28	11	33	33
		64.041.088L035	35	13	41	41
S	700	64.041.088S014	14	10	19	19
		64.041.088S016	16	10,5	21	21
	420	64.041.088S020	20	12	26	26
		64.041.088S025	25	12	32	32
		64.041.088S030	30	13	36	38
	64.041.088S038	38	13	44	48	

**Bague coupante DIN avec traitement spécial et joint FPM encastré**

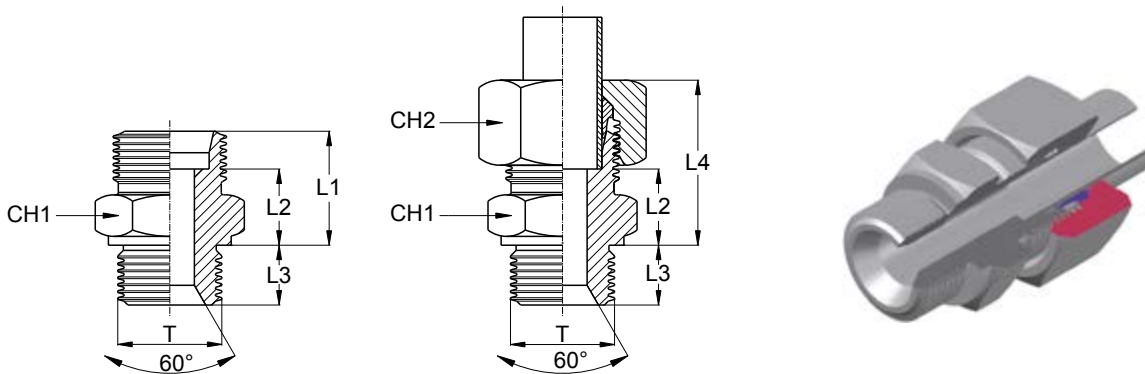


DIN Série	Pression de service (bar)	Code	Ø ext. tube	L1	D1	D2
L	630	64.041.088L006EVO	6	9,5	10	10
		64.041.088L008EVO	8	9,5	12	12
		64.041.088L010EVO	10	10	14	14
	450	64.041.088L012EVO	12	10	16	16
		64.041.088L015EVO	15	10	19	20
		64.041.088L018EVO	18	10	23	23
	300	64.041.088L022EVO	22	10,5	27	27
		64.041.088L028EVO	38	11	33	33
		64.041.088L035EVO	35	13	41	41
S	900	64.041.088S006EVO	6	9,5	10	10
		64.041.088S008EVO	8	9,5	12	12
	800	64.041.088S010EVO	10	10	14	14
		64.041.088S012EVO	12	10	16	16
	700	64.041.088S014EVO	14	10	19	19
		64.041.088S016EVO	16	10,5	21	21
	420	64.041.088S020EVO	20	12	26	26
		64.041.088S025EVO	25	12	32	32
		64.041.088S030EVO	30	13	36	38
		64.041.088S038EVO	38	13	44	48



DIN Série	Pression de service (bar)	Code	Ø ext. tube	Filetage T	L1	CH	
LL	100	64.011.081LL04	4	M8x1,0	10	10	
		64.011.081LL06	6	M10x1,0	11,5	12	
		64.011.081LL08	8	M12x1,0	12	14	
L	630	64.041.081L006	6	M12x1,5	14,5	14	
		64.041.081L008	8	M14x1,5	14,5	17	
		64.041.081L010	10	M16x1,5	15,5	19	
	450	64.041.081L012	12	M18x1,5	15,5	22	
		64.041.081L015	15	M22x1,5	17	27	
		64.041.081L018	18	M26x1,5	18	32	
	300	64.041.081L022	22	M30x2,0	20	36	
		64.041.081L028	28	M36x2,0	21	41	
		64.041.081L035	35	M45x2,0	24	50	
	S	900	64.041.081S006	6	M14x1,5	16,5	17
			64.041.081S008	8	M16x1,5	16,5	19
		800	64.041.081S010	10	M18x1,5	17,5	22
64.041.081S012			12	M20x1,5	17,5	24	
700		64.041.081S014	14	M22x1,5	20,5	27	
		64.041.081S016	16	M24x1,5	20,5	30	
650		64.041.081S020	20	M30x2,0	24	36	
		64.041.081S025	25	M36x2,0	27	46	
		64.041.081S030	30	M42x2,0	29	50	
	64.041.081S038	38	M52x2,0	32,5	60		

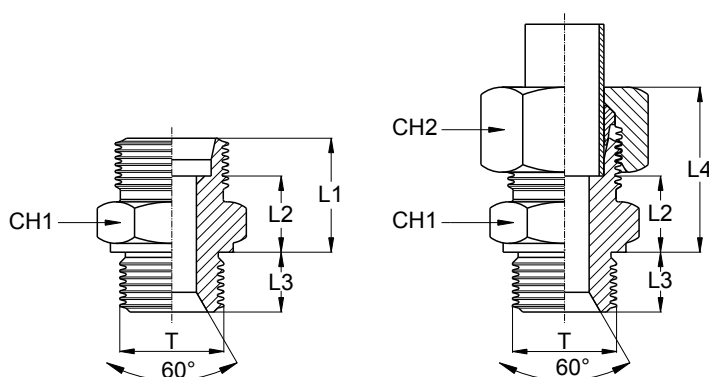
**Adaptateur mâle DIN série L x mâle BSP (nu)**



DIN Série	Pression de service (bar)	Code*	Ø ext. tube	Filetage T	L1	L2	L3	L4	CH1	CH2
L	315	64.041.092RL006S	6	1/8"	1,5	8,5	8	23	14	14
		64.041.092RL006BS	6	1/4"	17	10	12	24,5	19	14
		64.041.092RL006CS	6	3/8"	18,5	11,5	12	26	22	14
		64.041.092RL006DS	6	1/2"	19	12	14	29	27	14
		64.041.092RL008AS	8	1/8"	16,5	9,5	8	24,5	14	17
		64.041.092RL008S	8	1/4"	17	10	12	25	19	17
		64.041.092RL008CS	8	3/8"	18,5	11,5	12	26,5	22	17
		64.041.092RL008DS	8	1/2"	19	12	14	27	27	17
		64.041.092RL010AS	10	1/8"	17,5	10,5	8	25,5	17	19
		64.041.092RL010S	10	1/4"	18	11	12	26	19	19
		64.041.092RL010CS	10	3/8"	19,5	12,5	12	27,5	22	19
		64.041.092RL010DS	10	1/2"	20	13	14	28	27	19
		64.041.092RL012AS	12	1/8"	18	11	8	29	19	22
		64.041.092RL012BS	12	1/4"	19	12	12	26,5	19	22
		64.041.092RL012S	12	3/8"	19,5	12,5	12	27	22	22
		64.041.092RL012DS	12	1/2"	20	13	14	27,5	27	22
		64.041.092RL012FS	12	3/4"	21	14	16	31	32	22
		64.041.092RL015BS	15	1/4"	20	13	12	32	24	27
	64.041.092RL015CS	15	3/8"	20,5	13,5	12	28,5	24	27	
	64.041.092RL015S	15	1/2"	21	14	14	29	27	27	
	64.041.092RL015FS	15	3/4"	22	15	16	30	32	27	
	64.041.092RL018CS	18	3/8"	20	12,5	12	31	27	32	
	64.041.092RL018S	18	1/2"	22	14,5	14	31	27	32	
	64.041.092RL018FS	18	3/4"	22	14,5	16	31	32	32	
	64.041.092RL018HS	18	1"	24	16,5	18	31	41	32	
	160	64.041.092RL022CS	22	3/8"	23,5	16	12	49	32	36
		64.041.092RL022DS	22	1/2"	24	16,5	14	33	32	36
		64.041.092RL022S	22	3/4"	24	16,5	16	33	32	36
		64.041.092RL022HS	22	1"	25	17,5	18	34	41	36
		64.041.092RL022LS	22	1"1/4	26	18,5	20	39	50	36
		64.041.092RL028DS	28	1/2"	25	17,5	14	33	41	41
		64.041.092RL028FS	28	3/4"	25	17,5	16	34	41	41
64.041.092RL028S		28	1"	25	17,5	18	34	41	41	
64.041.092RL028LS		28	1"1/4	26	18,5	20	39	50	41	
64.041.092RL035FS		35	3/4"	29	18,5	16	42	46	50	
64.041.092RL035HS		35	1"	28	17,5	18	39	46	50	
64.041.092RL035S		35	1"1/4	28	17,5	20	39	50	50	
64.041.092RL035NS		35	1"1/2	30	19,5	22	44	55	50	
64.041.092RL042HS		42	1"	30	19	18	47	55	60	
64.041.092RL042LS	42	1"1/4	30	19	20	42	55	60		
64.041.092RL042S	42	1"1/2	30	19	22	42	55	60		

\*Adaptateur seul, les bagues et écrous sont à commander séparément

**Adapteur mâle DIN série S x mâle BSP (nu)**

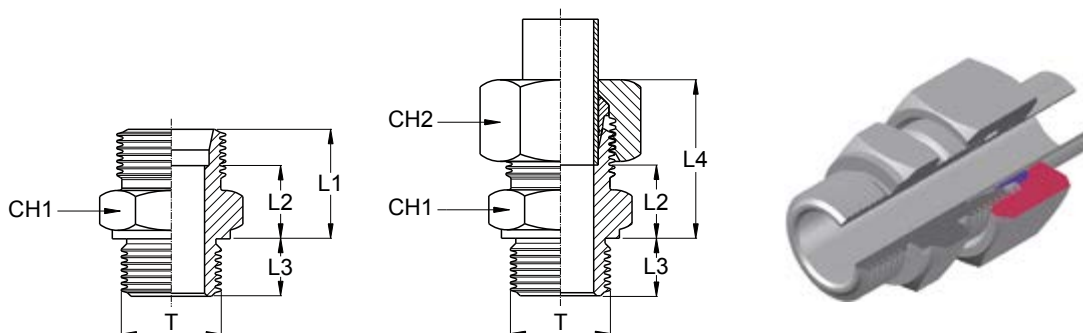


DIN Série	Pression de service (bar)	Code*	Ø ext. tube	Filetage T	L1	L2	L3	L4	CH1	CH2
S	630	64.041.092RS006AS	6	1/8"	20	13	8	28	14	17
		64.041.092RS006S	6	1/4"	20	13	12	28	19	17
		64.041.092RS006CS	6	3/8"	22,5	15,5	12	30	22	19
		64.041.092RS006DS	6	1/2"	24	17	14	34	27	19
		64.041.092RS008AS	8	1/8"	21	14	8	30	17	19
		64.041.092RS008S	8	1/4"	22	15	12	30	19	19
		64.041.092RS008CS	8	3/8"	22,5	15,5	12	30,5	22	19
		64.041.092RS008DS	8	1/2"	22	15	14	34	27	19
		64.041.092RS010AS	10	1/8"	21	13,5	8	28	19	22
		64.041.092RS010BS	10	1/4"	22	14,5	12	30,5	19	22
		64.041.092RS010S	10	3/8"	22,5	15	12	31	22	22
		64.041.092RS010DS	10	1/2"	25	17,5	14	33,5	27	22
	64.041.092RS010FS	10	3/4"	22	14,5	16	36	32	22	
	64.041.092RS012BS	12	1/4"	24	16,5	12	32,5	22	24	
	64.041.092RS012S	12	3/8"	24,5	17	12	33	22	24	
	64.041.092RS012DS	12	1/2"	25	17,5	14	33,5	27	24	
	64.041.092RS012FS	12	3/4"	25	17,5	16	36	32	24	
	64.041.092RS016BS	16	1/4"	26	17,7	12	38	27	30	
	64.041.092RS016CS	16	3/8"	26,5	18	12	36,5	27	30	
	64.041.092RS016S	16	1/2"	27	18,5	14	37	27	30	
	64.041.092RS016FS	16	3/4"	29	20,5	16	39	32	30	
	64.041.092RS016HS	16	1"	31	22,5	18	43,5	41	30	
	64.041.092RS020CS	20	3/8"	28,5	18	12	40,5	32	36	
	64.041.092RS020DS	20	1/2"	31	20,5	14	42	32	36	
	64.041.092RS020S	20	3/4"	31	20,5	16	42	32	36	
	64.041.092RS020HS	20	1"	33	22,5	18	44	41	36	
	64.041.092RS020LS	20	1"1/4	33	22,5	20	50	50	36	
	64.041.092RS025DS	25	1/2"	35	23	14	47	41	46	
	64.041.092RS025FS	25	3/4"	35	23	16	47	41	46	
	64.041.092RS025S	25	1"	35	23	18	47	41	46	
	64.041.092RS025LS	25	1"1/4	35	23	20	47	50	46	
	64.041.092RS030FS	30	3/4"	39	25,5	16	50	46	50	
	64.041.092RS030HS	30	1"	37	23,5	18	50	46	50	
64.041.092RS030S	30	1"1/4	37	23,5	20	50	50	50		
64.041.092RS030NS	30	1"1/2	37	23,5	22	50	55	50		
64.041.092RS038HS	38	1"1/2	42	26	22	57	55	60		
64.041.092RS038LS	38	1"	42	26	18	42	46	50		
64.041.092RS038S	38	1"1/4	42	26	20	57	55	60		
64.041.092RS038MS	38	2"	-	-	-	-	-	70	60	

\*Adapteur seul, les bagues et écrous sont à commander séparément



RACCORDS ET ADAPTEURS INOX **DIN 2353** - Iso 8434-1  
**Adaptateur mâle DIN série L x mâle métrique (nu)**

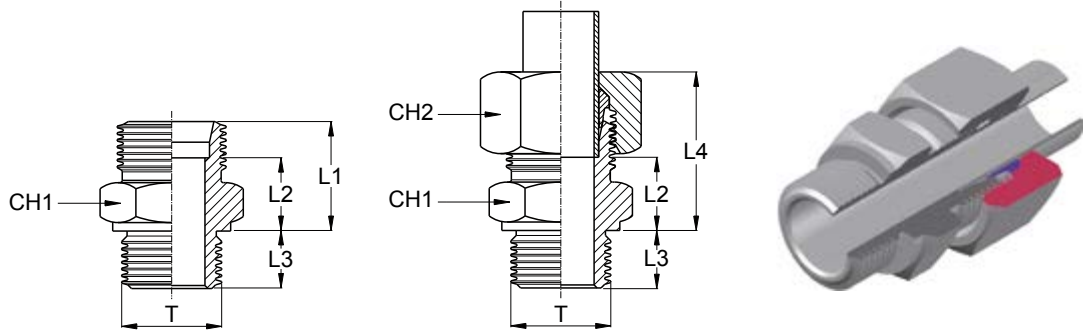


DIN Série	Pression de service (bar)	Code	Ø ext. tube	Filetage T	L1	L2	L3	L4	CH1	CH2
L	315	64.041.092ML006	6	M10x1,0	15,5	8,5	8	23	14	14
		64.041.092ML00612	6	M12x1,5	17	10	12	25	17	14
		64.041.092ML00614	6	M14x1,5	17	10	12	27	19	14
		64.041.092ML008	8	M10x1,0	16,5	8,5	8	24,5	14	17
		64.041.092ML00812	8	M12x1,5	17	10	12	25	17	17
		64.041.092ML00814	8	M14x1,5	17	10	12	27	19	17
		64.041.092ML00816	8	M16x1,5	18,5	11,5	12	27,5	22	17
		64.041.092ML00818	8	M18x1,5	18,5	11,5	12	26,5	24	17
		64.041.092ML01010	10	M10x1,0	18	11	8	26	17	19
		64.041.092ML01012	10	M12x1,5	18,5	11,5	12	28,5	17	19
		64.041.092ML010	10	M14x1,5	18	11	12	26	19	19
		64.041.092ML01016	10	M16x1,5	19,5	12,5	12	27,5	22	19
		64.041.092ML01018	10	M18x1,5	19,5	12,5	12	27,5	24	19
		64.041.092ML01022	10	M22x1,5	21	14	14	29	27	19
		64.041.092ML01212	12	M12x1,5	20	13	12	28	19	22
		64.041.092ML01214	12	M14x1,5	19,5	12,5	12	27	19	22
		64.041.092ML012	12	M16x1,5	19,5	12,5	12	27	22	22
		64.041.092ML01218	12	M18x1,5	19,5	12,5	12	27	24	22
		64.041.092ML01222	12	M22x1,5	21	14	14	28,5	27	22
		64.041.092ML01516	15	M16x1,5	20	13	12	28	24	27
	64.041.092ML015	15	M18x1,5	20,5	13,5	12	29	24	27	
	64.041.092ML01522	15	M22x1,5	22	15	14	30	27	27	
	64.041.092ML01818	18	M18x1,5	21,5	14	12	30,5	27	32	
	64.041.092ML018	18	M22x1,5	22	14,5	14	31	27	32	
	64.041.092ML01826	18	M26x1,5	22	14,5	16	31	32	32	
	64.041.092ML02222	22	M22x1,5	24	16,5	14	33	32	36	
	64.041.092ML022	22	M26x1,5	24	16,5	16	33	32	36	
64.041.092ML028	28	M33x2,0	25	17,5	18	34	41	41		
64.041.092ML035	35	M42x2,0	28	17,5	20	39	50	50		
64.041.092ML042	42	M48x2,0	30	19	22	42	55	60		

\*Adaptateur seul, les bagues et écrous sont à commander séparément

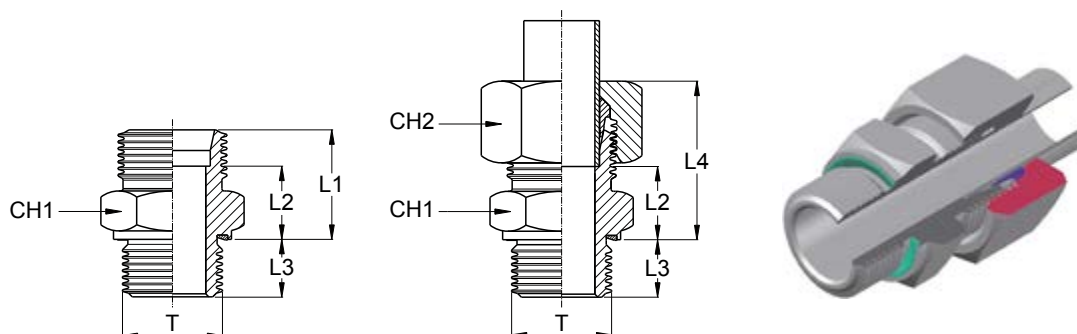
# RACCORDS ET ADAPTEURS INOX **DIN 2353 - Iso 8434-1**

## Adapteur mâle DIN série S x mâle métrique (nu)



DIN Série	Pression de service (bar)	Code	Ø ext. tube	Filetage T	L1	L2	L3	L4	CH1	CH2
S	630	64.041.092MS006	6	M12x1,5	20	13	12	28	17	17
		64.041.092MS00614	6	M14x1,5	20	13	12	30	17	17
		64.041.092MS00812	8	M12x1,5	22	15	12	32	17	19
		64.041.092MS008	8	M14x1,5	22	15	12	30	19	19
		64.041.092MS00816	8	M16x1,5	-	-	12	-	22	19
		64.041.092MS01014	10	M14x1,5	-	-	12	-	19	22
		64.041.092MS010	10	M16x1,5	22,5	15	12	31	22	22
		64.041.092MS01018	10	M18x1,5	25	17,5	12	-	24	22
		64.041.092MS01214	12	M14x1,5	23,5	16	12	33	22	24
		64.041.092MS01216	12	M16x1,5	24,5	17	12	35,5	22	24
	64.041.092MS012	12	M18x1,5	24,5	17	12	33	24	24	
	64.041.092MS01222	12	M22x1,5	25	17,5	14	33,5	27	24	
	64.041.092MS014	14	M20x1,5	27	19	14	37	27	27	
	64.041.092MS01422	14	M22x1,5	-	-	14	-	27	27	
	64.041.092MS01618	16	M18x1,5	26,5	18	12	36,5	27	30	
	64.041.092MS016	16	M22x1,5	27	18,5	14	37	27	30	
	64.041.092MS02022	20	M22x1,5	31	20,5	14	42	32	36	
	64.041.092MS020	20	M27x2,0	31	20,5	16	42	32	36	
	64.041.092MS02527	25	M27x2,0	35	23	16	47	41	46	
	64.041.092MS025	25	M33x2,0	35	23	18	47	41	46	
64.041.092MS03033	30	M33x2,0	37	23,5	18	50	46	50		
64.041.092MS030	30	M42x2,0	37	23,5	20	50	50	50		
315	64.041.092MS038	38	M48x2,0	42	26	22	57	55	60	

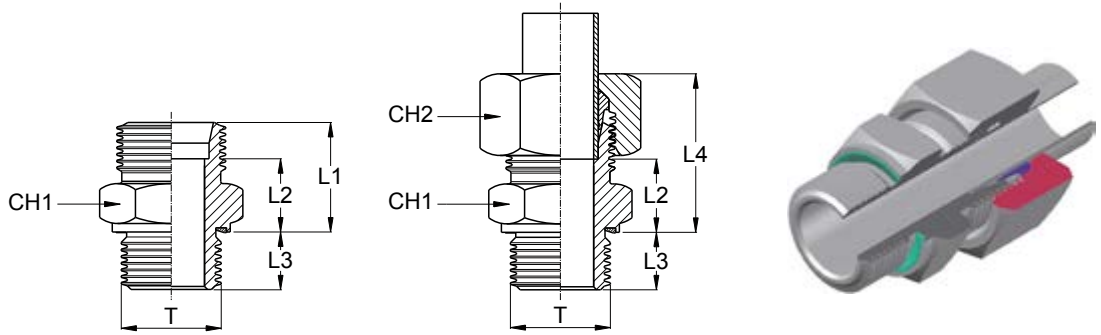
\*Adapteur seul, les bagues et écrous sont à commander séparément

**Adaptateur mâle DIN série L x mâle BSP avec joint encastré (nu)**

DIN Série	Pression de service (bar)	Code*	Ø ext. tube	Filetage T	L1	L2	L3	L4	CH1	CH2
L	630	64.041.092GRL06	6	1/8"	15,5	8,5	8	23	14	14
		64.041.092GRL06B	6	1/4"	17	10	12	24,5	19	14
	450	64.041.092GRL06C	6	3/8"	18,5	11,5	12	26	22	14
		64.041.092GRL06D	6	1/2"	19	12	14	29	27	14
	630	64.041.092GRL08A	8	1/8"	16,5	9,5	8	24,5	14	17
		64.041.092GRL08B	8	1/4"	17	10	12	25	19	17
	450	64.041.092GRL08C	8	3/8"	18,5	11,5	12	26,5	22	17
		64.041.092GRL08D	8	1/2"	19	12	14	27	27	17
	630	64.041.092GRL10A	10	1/8"	17,5	10,5	8	25,5	17	19
		64.041.092GRL10	10	1/4"	18	11	12	26	19	19
	450	64.041.092GRL10C	10	3/8"	19,5	12,5	12	27,5	22	19
		64.041.092GRL10D	10	1/2"	20	13	14	28	27	19
	300	64.041.092GRL10F	10	3/4"	21	14	16	28	32	19
		64.041.092GRS12A	12	1/8"	18	11	8	29	19	22
	450	64.041.092GRL12B	12	1/4"	19	12	12	26,5	19	22
		64.041.092GRL12	12	3/8"	19,5	12,5	12	27	22	22
		64.041.092GRL12D	12	1/2"	20	13	14	27,5	27	22
	300	64.041.092GRL12F	12	3/4"	21	14	16	31	32	22
		64.041.092GRL15B	15	1/4"	20	13	12	32	24	27
	450	64.041.092GRL15C	15	1/2"	21	14	14	29	27	27
		64.041.092GRL15	15	3/8"	20,5	13,5	12	28,5	24	27
		64.041.092GRL15F	15	3/4"	22	15	16	30	32	27
	300	64.041.092GRL15H	15	1"	-	-	18	-	41	27
		450	64.041.092GRL18C	18	3/8"	20	12,5	12	33	27
	64.041.092GRL18		18	1/2"	22	14,5	14	31	27	32
	300	64.041.092GRL18F	18	3/4"	22	14,5	16	31	32	32
		64.041.092GRL18H	18	1"	24	16,5	18	34	41	32
	300	64.041.092GRL22C	22	3/8"	23,5	16	12	49	32	36
		64.041.092GRL22D	22	1/2"	24	16,5	14	33	32	36
		64.041.092GRL22	22	3/4"	24	16,5	16	33	32	36
		64.041.092GRL22H	22	1"	25	17,5	18	34	41	36
		64.041.092GRL22L	22	1"1/4	25	17,5	20	34	50	36
		64.041.092GRL28D	28	1/2"	25	17,5	14	33	41	41
		64.041.092GRL28F	28	3/4"	25	17,5	16	34	41	41
		64.041.092GRL28	28	1"	25	17,5	18	34	41	41
		64.041.092GRL28L	28	1"1/4	26	18,5	20	35	50	41
64.041.092GRL35F		35	3/4"	29	18,5	16	38	46	50	
64.041.092GRL35H		35	1"	28	17,5	18	39	46	50	
64.041.092GRL35		35	1"1/4	28	17,5	20	39	50	50	
64.041.092GRL35N		35	1"1/2	30	19,5	22	44	55	50	
64.041.092GRL42H		42	1"	30	19	18	47	55	60	
64.041.092GRL42L		42	1"1/4	30	19	20	42	55	60	
64.041.092GRL42		42	1"1/2	30	19	22	42	55	60	
64.041.092GRL42M	42	2"	-	-	-	-	70	60		

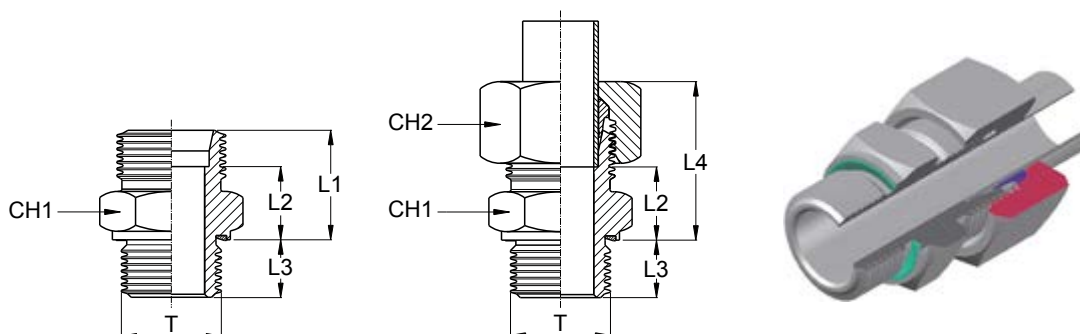
\*Adaptateur seul, les bagues et écrous sont à commander séparément

**Adaptateur mâle DIN série S x mâle BSP avec joint encastré (nu)**



DIN Série	Pression de service (bar)	Code*	Ø ext. tube	Filetage T	L1	L2	L3	L4	CH1	CH2	
S	900	64.041.092GRS06A	6	1/8"	20	13	8	28	14	17	
		64.041.092GRS06	6	1/4"	20	13	12	28	19	17	
		64.041.092GRS06C	6	3/8"	22,5	15,5	12	30	22	19	
	630	64.041.092GRS06D	6	1/2"	24	17	14	34	27	19	
		64.041.092GRS08A	8	1/8"	21	14	8	30	17	19	
		64.041.092GRS08	8	1/4"	22	15	12	30	19	19	
		64.041.092GRS08D	8	3/8"	22,5	15,5	12	30,5	22	19	
		64.041.092GRS10A	10	1/8"	21	13,5	8	30,5	19	22	
		64.041.092GRS10B	10	1/4"	22	14,5	12	30,5	19	22	
		64.041.092GRS10	10	3/8"	22,5	15	12	31	22	22	
		64.041.092GRS10D	10	1/2"	25	17,5	14	33,5	27	22	
		64.041.092GRS10F	10	3/4"	25	17,5	16	36	32	22	
		64.041.092GRS12B	12	1/4"	24	16,5	12	32,5	22	24	
		64.041.092GRS12	12	3/8"	24,5	17	12	33	22	24	
		64.041.092GRS12D	12	1/2"	25	17,5	14	33,5	27	24	
		64.041.092GRS14C	14	3/8"	26,5	18,5	12	36,5	24	27	
		64.041.092GRS14	14	1/2"	27	19	14	37	27	27	
		64.041.092GRS14F	14	3/4"	27	19	16	39	32	27	
		400	64.041.092GRS16B	16	1/4"	26	17,5	12	38	27	30
			64.041.092GRS16C	16	3/8"	26,5	18	12	36,5	27	30
	64.041.092GRS16		16	1/2"	27	18,5	14	37	27	30	
	64.041.092GRS16F		16	3/4"	29	20,5	16	39	32	30	
	64.041.092GRS16H		16	1"	31	22,5	18	43,5	41	30	
	64.041.092GRS20C		20	3/8"	28,5	18	12	-	32	36	
	64.041.092GRS20D		20	1/2"	31	20,5	14	42	32	36	
	64.041.092GRS20		20	3/4"	31	20,5	16	42	32	36	
	64.041.092GRS20H		20	1"	33	22,5	18	44	41	36	
	64.041.092GRS20		20	1"1/4	33	22,5	20	44	50	36	
	64.041.092GRS25D		25	1/2"	35	23	14	47	41	46	
	64.041.092GRS25F		25	3/4"	35	23	16	47	41	46	
	64.041.092GRS25		25	1"	35	23	18	47	41	46	
	64.041.092GRS25L		25	1"1/4	35	23	20	47	50	46	
	64.041.092GRS30F		30	3/4"	39	25,5	16	-	46	50	
	64.041.092GRS30H	30	1"	37	23,5	18	50	46	50		
	64.041.092GRS30	30	1"1/4	37	23,5	20	50	50	50		
	64.041.092GRS30N	30	1"1/2	37	23,5	22	53	55	50		
	315	64.041.092GRS38H	38	1"	42	26	18	42	46	50	
		64.041.092GRS38L	38	1"1/4	42	26	20	57	55	60	
		64.041.092GRS38	38	1"1/2	42	26	22	57	55	60	
	250	64.041.092GRS38M	38	2"	-	-	-	-	70	60	

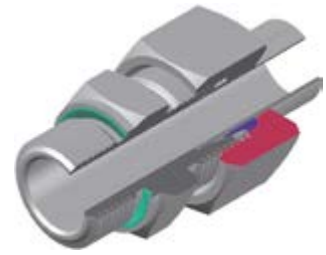
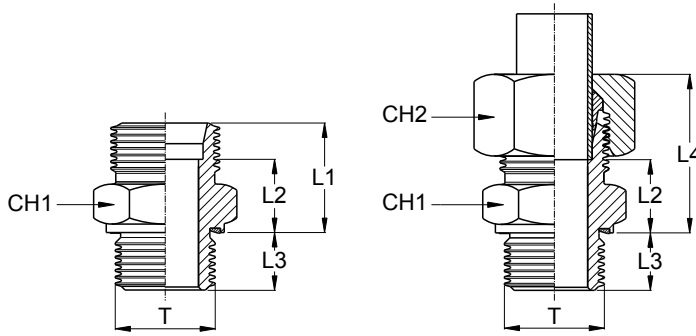
\*Adaptateur seul, les bagues et écrous sont à commander séparément

**Adaptateur mâle DIN série L x mâle métrique avec joint encastré (nu)**

DIN Série	Pression de service (bar)	Code	Ø ext. tube	Filletage T	L1	L2	L3	L4	CH1	CH2
L	315	64.041.092GML0610	6	M10x1,0	15,5	8,5	8	23	14	14
		64.041.092GML06	6	M12x1,5	17	10	12	-	17	14
		64.041.092GML0614	6	M14x1,5	17	10	12	27	19	14
		64.041.092GML0810	8	M10x1,0	16,5	8,5	8	24,5	14	17
		64.041.092GML08	8	M12x1,5	17	10	12	25	17	17
		64.041.092GML0814	8	M14x1,5	17	10	12	27	19	17
		64.041.092GML0816	8	M16x1,5	18,5	11,5	12	27,5	22	17
		64.041.092GML0818	8	M18x1,5	18,5	11,5	12	26,5	24	17
		64.041.092GML1010	10	M10x1,0	18	11	8	-	17	19
		64.041.092GML1012	10	M12x1,5	18,5	11,5	12	28,5	17	19
		64.041.092GML10	10	M14x1,5	18	11	12	26	19	19
		64.041.092GML1016	10	M16x1,5	19,5	12,5	12	27,5	22	19
		64.041.092GML1018	10	M18x1,5	19,5	12,5	12	27,5	24	19
		64.041.092GML1022	10	M22x1,5	21	14	14	29	27	19
		64.041.092GML1212	12	M12x1,5	20	13	12	28	19	22
		64.041.092GML1214	12	M14x1,5	19,5	12,5	12	27	19	22
		64.041.092GML12	12	M16x1,5	19,5	12,5	12	27	22	22
		64.041.092GML12180	12	M18x1,5	19,5	12,5	12	27	24	22
		64.041.092GML1222	12	M22x1,5	21	14	14	28,5	27	22
		64.041.092GML1516	15	M16x1,5	20	13	12	28	24	27
	64.041.092GML15	15	M18x1,5	20,5	13,5	12	29	24	27	
	64.041.092GML1522	15	M22x1,5	22	15	14	30	27	27	
	64.041.092GML1818	18	M18x1,5	21,5	14	12	30,5	27	32	
	64.041.092GML18	18	M22x1,5	22	14,5	14	31	27	32	
	64.041.092GML1826	18	M26x1,5	22	14,5	16	-	32	32	
	64.041.092GML2222	22	M22x1,5	24	16,5	14	33	32	36	
	64.041.092GML22	22	M26x1,5	24	16,5	16	33	32	36	
	64.041.092GML28	28	M33x2,0	25	17,5	18	34	41	41	
64.041.092GML35	35	M42x2,0	28	17,5	20	39	50	50		
64.041.092GML42	42	M48x2,0	30	19	22	42	55	60		

\*Adaptateur seul, les bagues et écrous sont à commander séparément

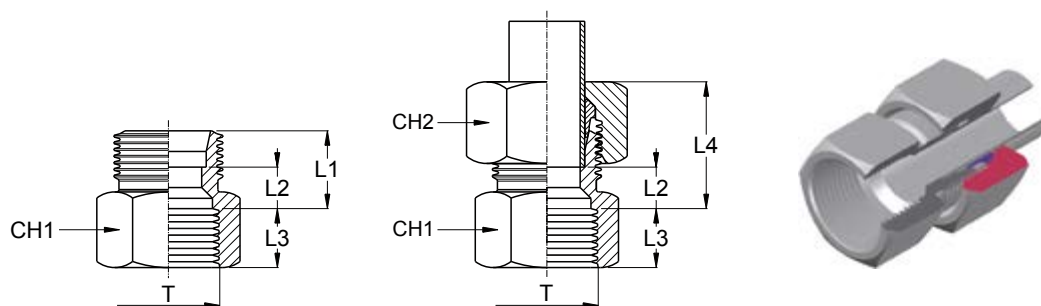
**Adaptateur mâle DIN série S x mâle métrique avec joint encastré (nu)**



DIN Série	Pression de service (bar)	Code	Ø ext. tube	Filetage T	L1	L2	L3	L4	CH1	CH2
S	630	64.041.092GMS06	6	M12x1,5	20	13	12	28	17	17
		64.041.092GMS0614	6	M14x1,5	-	-	12	-	19	17
		64.041.092GMS0812	8	M12x1,5	22	15	12	32	17	19
		64.041.092GMS08	8	M14x1,5	22	15	12	30	19	19
		64.041.092GMS0816	8	M16x1,5	-	-	12	-	22	19
		64.041.092GMS1014	10	M14x1,5	-	-	12	-	19	22
		64.041.092GMS10	10	M16x1,5	22,5	15	12	31	22	22
		64.041.092GMS1018	10	M18x1,5	25	17,5	12	-	24	22
		64.041.092GMS1214	12	M14x1,5	23,5	16	12	33	22	24
		64.041.092GMS1216	12	M16x1,5	24,5	17	12	35,5	22	24
		64.041.092GMS12	12	M18x1,5	24,5	17	12	33	24	24
		64.041.092GMS1220	12	M20x1,5	25	17,5	14	36	27	24
		64.041.092GMS1222	12	M22x1,5	25	17,5	14	33,5	27	24
		64.041.092GMS14	14	M20x1,5	27	19	14	37	27	27
	64.041.092GMS1422	14	M22x1,5	26,5	18,5	14	39	27	27	
	400	64.041.092GMS1618	16	M18x1,5	26,5	18	12	36,5	27	30
		64.041.092GMS1622	16	M22x1,5	27	18,5	14	37	27	30
		64.041.092GMS2022	20	M22x1,5	31	20,5	14	42	32	36
		64.041.092GMS20	20	M27x2,0	31	20,5	16	42	32	36
		64.041.092GMS2027	25	M27x2,0	35	23	16	47	41	46
64.041.092GMS2533		25	M33x2,0	35	23	18	47	41	46	
64.041.092GMS3033		30	M33x2,0	37	23,5	18	50	46	50	
64.041.092GMS30	30	M42x2,0	37	23,5	20	50	50	50		
315	64.041.092GMS38	38	M48x2,0	42	26	22	57	55	60	

\*Adaptateur seul, les bagues et écrous sont à commander séparément

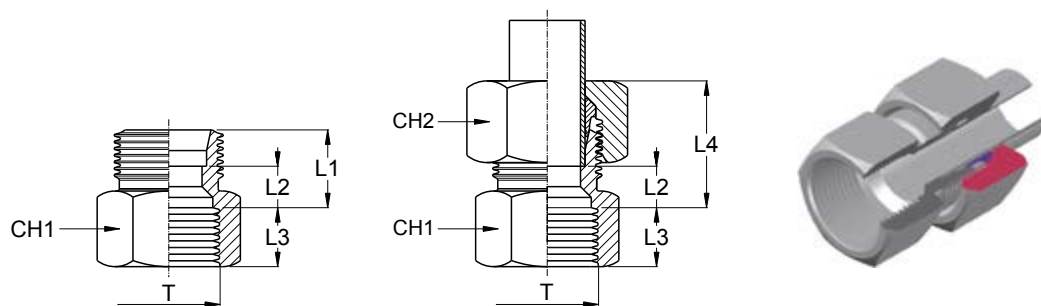
## Adapteur mâle DIN série L x femelle BSP (nu)



DIN Série	Pression de service (bar)	Code*	Ø ext. tube	Filetage T	L1	L2	L3	L4	CH1	CH2
L	315	64.041.147RL006	6	1/8"	16	9	10	23,5	14	14
		64.041.147RL008	8	1/4"	17	10	14	25	19	17
		64.041.147RL010	10	1/4"	18	11	14	26	19	19
		64.041.147RL012	12	3/8"	19	12	14	26,5	24	22
		64.041.147RL015	15	1/2"	21	14	17	29	27	27
		64.041.147RL018	18	1/2"	21	13,5	17	30	27	32
	160	64.041.147RL028F	22	3/4"	24	16,5	19	33	36	36
		64.041.147RL028	28	1"	23,5	16	21,5	32,5	41	41
		64.041.147RL035	35	1"1/4	28,5	18	23,5	39,5	55	50
		64.041.147RL042	42	1"1/2	28,5	17,5	25,5	40,5	60	60

\*Adapteur seul, les bagues et écrous sont à commander séparément

## Adapteur mâle DIN série S x femelle BSP (nu)



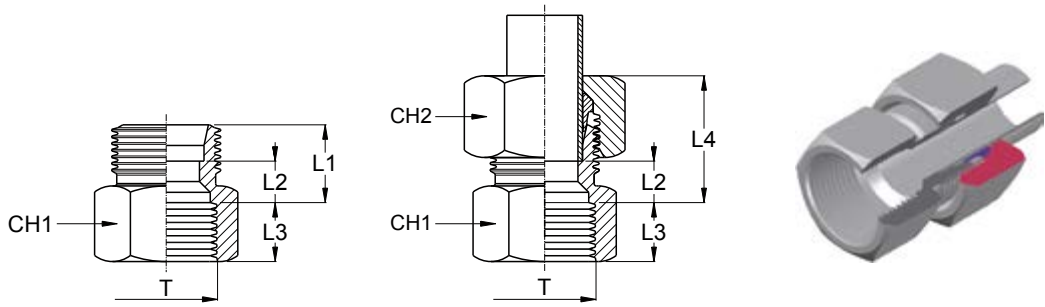
DIN Série	Pression de service (bar)	Code*	Ø ext. tube	Filetage T	L1	L2	L3	L4	CH1	CH2
S	630	64.041.147RS006	6	1/4"	19	12	14	27	19	17
		64.041.147RS008	8	1/4"	19	12	14	27	19	19
		64.041.147RS010	10	3/8"	20	12,5	14	28,5	24	22
		64.041.147RS012	12	3/8"	20	12,5	14	28,5	24	24
		64.041.147RS014	14	1/2"	23	15	17	33	30	27
		64.041.147RS016	16	1/2"	23	14,5	17	33	30	30
	400	64.041.147RS020	20	3/4"	26	15,5	19	37	36	36
		64.041.147RS025	25	1"	27,5	15,5	21,5	39,5	41	46
		64.041.147RS030	30	1"1/4	32,5	19	23,5	45,5	55	50
		64.041.147RS038	38	1"1/2	34,5	18,5	25,5	49,5	60	60
315										

\*Adapteur seul, les bagues et écrous sont à commander séparément



**Adapteur mâle DIN série L et S x femelle métrique (nu)**

**Adapteur mâle DIN série L x femelle métrique (nu)**

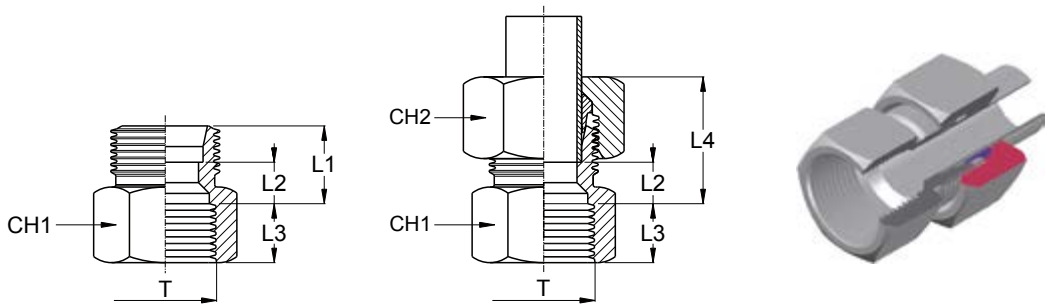


DIN Série	Pression de service (bar)	Code*	Ø ext. tube	Filetage T	L1	L2	L3	L4	CH1	CH2
L	315	64.041.147ML0610	6	M10x1,0	16	9	10	23,5	14	14
		64.041.147ML0812	8	M12x1,5	16,5	9,5	14,5	24,5	17	17
		64.041.147ML1014	10	M14x1,5	17,5	10,5	14,5	25,5	19	19
		64.041.147ML1216	12	M16x1,5	18,5	11,5	14,5	26	22	22
		64.041.147ML1518	15	M18x1,5	23,5	16,5	14,5	31,5	24	27
		64.041.147ML1822	18	M22x1,5	21,5	14	16,5	30,5	30	32
	160	64.041.147ML2226	22	M26x1,5	23,5	16	18,5	32,5	32	36
		64.041.147ML2833	28	M33x2,0	24	16,5	21	33	41	41
		64.041.147ML3542	35	M42x2,0	28	17,5	23	39	55	50
		64.041.147ML4248	42	M48x2,0	29	18	25	41	60	60

\*Adapteur seul, les bagues et écrous sont à commander séparément

**Adapteur mâle DIN série S x femelle métrique (nu)**

78

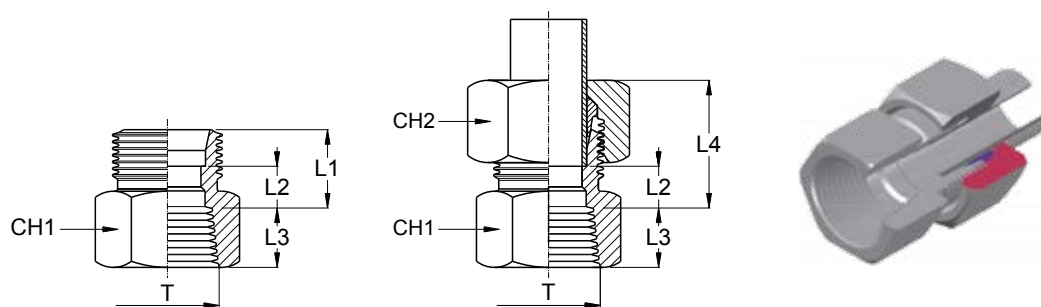


DIN Série	Pression de service (bar)	Code*	Ø ext. tube	Filetage T	L1	L2	L3	L4	CH1	CH2
S	630	64.041.147MS0612	6	M12x1,5	18,5	11,5	14,5	26,5	17	17
		64.041.147MS0814	8	M14x1,5	18,5	11,5	14,5	26,5	19	19
		64.041.147MS1016	10	M16x1,5	19,5	12	14,5	28	22	22
		64.041.147MS1218	12	M18x1,5	19,5	12	14,5	28	24	24
		64.041.147MS1420	14	M20x1,5	23,5	15,5	16,5	33,5	27	27
	400	64.041.147MS1622	16	M22x1,5	23,5	15	16,5	33,5	30	30
		64.041.147MS2027	20	M27x2,0	26	15,5	19	37	36	36
		64.041.147MS2533	25	M33x2,0	28	16	21	40	41	46
		64.041.147MS3042	30	M42x2,0	33	19,5	23	46	55	50
	315	64.041.147MS3848	38	M48x2,0	35	19	25	50	60	60

\*Adapteur seul, les bagues et écrous sont à commander séparément



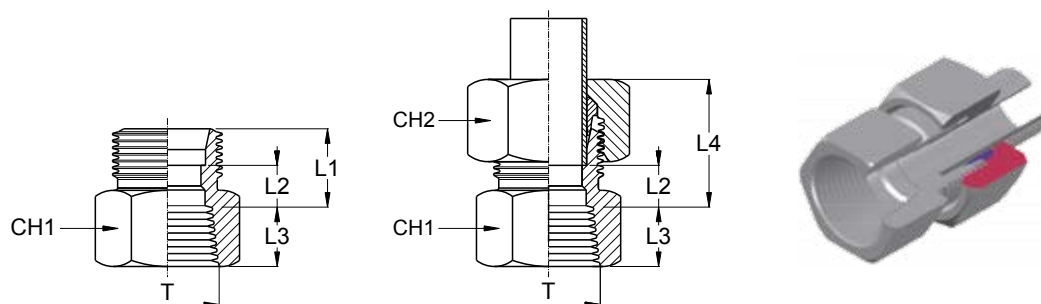
## Adaptateur mâle DIN série L x femelle NPT (nu)



DIN Série	Pression de service (bar)	Code*	Ø ext. tube	Filletage T	L1	L2	L3	L4	CH1	CH2
L	315	64.041.147NPTL06	6	1/8"	16	9	10	23,5	14	14
		64.041.147NPTL08	8	1/4"	17	10	14,2	25	19	17
		64.041.147NPTL10	10	1/4"	18	11	14,2	26	19	19
		64.041.147NPTL12	12	3/8"	19	12	14,2	26,5	24	22
		64.041.147NPTL15	15	1/2"	21	14	17,5	29	27	27
	64.041.147NPTL18	18	1/2"	21	13,5	17,5	30	27	32	
	160	64.041.147NPTL22	22	3/4"	24	16,5	22	33	36	36
		64.041.147NPTL28	28	1"	23,5	16	23	32,5	41	41
		64.041.147NPTL35	35	1"1/4	28,5	18	23	39,5	55	50
		64.041.147NPTL42	42	1"1/2	28,5	17,5	23	40,5	60	60

\*Adaptateur seul, les bagues et écrous sont à commander séparément

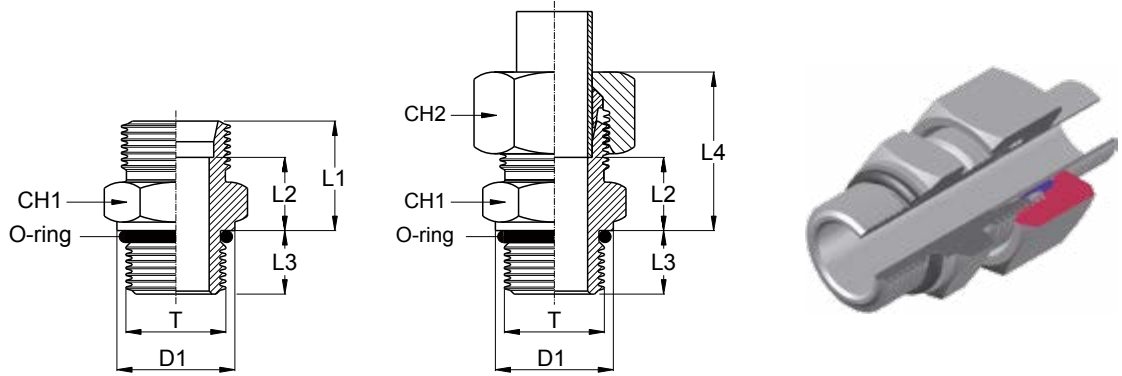
## Adaptateur mâle DIN série S x femelle NPT (nu)



DIN Série	Pression de service (bar)	Code*	Ø ext. tube	Filletage T	L1	L2	L3	L4	CH1	CH2
S	630	64.041.147NPTS06	6	1/4"	19	12	14,2	27	19	17
		64.041.147NPTS08	8	1/4"	19	12	14,2	27	19	19
		64.041.147NPTS10	10	3/8"	20	12,5	14,2	28,5	24	22
		64.041.147NPTS12	12	3/8"	20	12,5	14,2	28,5	24	24
		64.041.147NPTS14	14	1/2"	23	15	17,5	33	30	27
	400	64.041.147NPTS16	16	1/2"	23	14,5	17,5	33	30	30
		64.041.147NPTS20	20	3/4"	26	15,5	22	37	36	36
		64.041.147NPTS25	25	1"	27,5	15,5	23	39,5	41	46
		64.041.147NPTS30	30	1"1/4	32,5	19	23	45,5	55	50
	315	64.041.147NPTS38	38	1"1/2	34,5	18,5	23	49,5	60	60

\*Adaptateur seul, les bagues et écrous sont à commander séparément

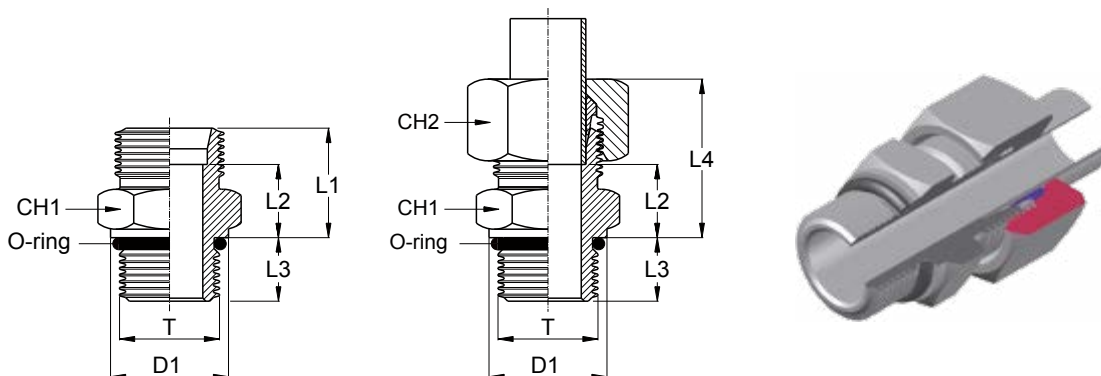
**Adapteur mâle DIN série L x mâle UNF avec joint O-Ring (nu)**



DIN Série	Pression de service (bar)	Code*	Ø ext. tube	Filetage T	D1	L1	L2	L3	L4	CH1	CH2	Joint ORing
L	315	64.041.092GLU0604	6	7/16"-20	13,8	16,9	9,9	9,1	24,5	14	14	8,92x1,83
		64.041.092GLU0605	6	1/2"-20	16,8	-	-	9,2	-	17	14	10,52x1,83
		64.041.092GLU0606	6	9/16"-18	18,8	-	-	10	-	19	14	11,90x1,98
		64.041.092GLU0804	8	7/16"-20	13,8	16,9	9,9	9,1	25	14	17	8,92x1,83
		64.041.092GLU0805	8	1/2"-20	16,8	16,9	9,9	9,1	25	17	17	10,52x1,83
		64.041.092GLU0806	8	9/16"-18	18,8	17	10	10	25	19	17	11,90x1,98
		64.041.092GLU1004	10	7/16"-20	13,8	17,9	10,9	9,1	26	17	19	8,92x1,83
		64.041.092GLU1005	10	1/2"-20	16,8	17,9	10,9	9,1	26	17	19	10,52x1,83
		64.041.092GLU1006	10	9/16"-18	18,8	18	11	10	26	17	19	11,90x1,98
		64.041.092GLU1008	10	3/4"-16	21,8	20	13	11,2	30,5	24	19	16,36x2,20
		64.041.092GLU1206	12	9/16"-18	18,8	18	11	10	25,5	19	22	11,90x1,98
		64.041.092GLU1208	12	3/4"-16	21,8	19,9	12,9	11,1	27,5	22	22	16,36x2,20
		64.041.092GLU1210	12	7/8"-14	26,8	21,3	14,3	12,7	29	27	22	19,18x2,46
		64.041.092GLU1506	15	9/16"-18	18,8	21	14	10	29	24	27	11,90x1,98
		64.041.092GLU1508	15	3/4"-16	21,8	20,9	13,9	11,1	29	24	27	16,36x2,20
		64.041.092GLU1510	15	7/8"-14	26,8	21	14	12,7	29	27	27	19,18x2,46
	64.041.092GLU1808	18	3/4"-16	21,8	21,9	14,4	11,1	31	27	32	16,36x2,20	
	64.041.092GLU1810	18	7/8"-14	26,8	22,3	14,8	12,7	31,5	27	32	19,18x2,46	
	64.041.092GLU1812	18	1"1/16-12	31,8	22	14,5	15	31	32	32	23,47x2,95	
	64.041.092GLU2210	22	7/8"-14	26,8	24,3	16,8	12,7	33,5	32	36	19,18x2,46	
	64.041.092GLU2212	22	1"1/16-12	31,8	23,9	16,4	15,1	33	32	36	23,47x2,95	
	64.041.092GLU2216	22	1"5/16-12	40,8	24,9	17,4	15,1	34	41	36	29,74x2,95	
	64.041.092GLU2810	28	7/8"-14	26,8	25	17,5	12,7	34	41	41	19,18x2,46	
	64.041.092GLU2812	28	1"1/16-12	31,8	24,9	17,4	15,1	34	41	41	23,47x2,95	
	64.041.092GLU2816	28	1"5/16-12	40,8	24,9	17,4	15,1	34	41	41	29,74x2,95	
	64.041.092GLU2820	28	1"5/8-12	49,8	25	17,5	15	34	50	41	37,46x3,00	
	64.041.092GLU3512	35	1"1/16-12	31,8	28	17,5	15	39	46	50	23,47x2,95	
	64.041.092GLU3516	35	1"5/16-12	40,8	27,9	17,4	15,1	39	46	50	29,74x2,95	
64.041.092GLU3520	35	1"5/8-12	49,8	27,9	17,4	15,1	39	50	50	37,46x3,00		
64.041.092GLU4220	42	1"5/8-12	49,8	29,9	18,9	15,1	42	55	60	37,46x3,00		
64.041.092GLU4224	42	1"7/8-12	54,8	29,9	18,9	15,1	42	55	60	43,69x3,00		

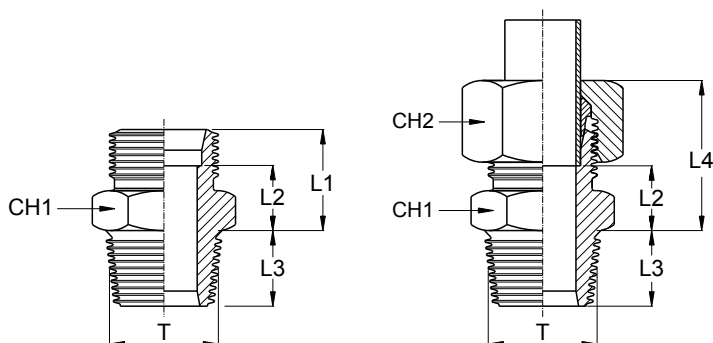
\*Adapteur seul, les bagues et écrous sont à commander séparément

RACCORDS ET ADAPTEURS INOX **DIN 2353 - Iso 8434-1**  
**Adaptateur mâle DIN série S x mâle UNF avec joint O-Ring (nu)**



DIN Série	Pression de service (bar)	Code*	Ø ext. tube	Filetage T	D1	L1	L2	L3	L4	CH1	CH2	Joint ORing
S	630	64.041.092GSU0604	6	7/16"-20	13,8	20	13	9,2	28	17	17	8,92x1,83
		64.041.092GSU0605	6	1/2"20	16,8	21,9	14,9	9,1	30	17	17	10,52x1,83
		64.041.092GSU0606	6	9/16"-18	18,8	-	-	10	-	19	17	11,90x1,98
		64.041.092GSU0804	8	7/16"-20	13,8	21,9	14,9	9,1	30	17	19	8,92x1,83
		64.041.092GSU0805	8	1/2"-20	16,8	21,9	14,9	9,1	30	17	19	10,52x1,83
		64.041.092GSU0806	8	9/16"-18	18,8	-	-	10	-	19	19	11,90x1,98
		64.041.092GSU1006	10	9/16"-18	18,8	22	14,5	10	30,5	19	22	8,92x1,83
		64.041.092GSU1008	10	3/4"-16	21,8	22,5	15	11,2	31	24	22	16,36x2,20
		64.041.092GSU1206	12	9/16"-18	18,8	22	14,5	10	30,5	22	24	11,90x1,98
		64.041.092GSU1208	12	3/4"-16	21,8	24,9	17,4	11,1	33,5	22	24	16,36x2,20
	64.041.092GSU1210	12	7/8"-14	26,8	22,3	14,8	12,7	32,5	27	24	19,18x2,46	
	64.041.092GSU1608	16	3/4"-16	21,8	23,9	15,4	11,1	34	27	30	16,36x2,20	
	64.041.092GSU1610	16	7/8"-14	26,8	27,3	18,8	12,7	37,5	27	30	19,18x2,46	
	64.041.092GSU1612	16	1"1/16-12	31,8	27	18,5	15	37	32	30	23,47x2,95	
	64.041.092GSU2008	20	3/4"-16	21,8	30,9	20,4	11,1	42	32	36	16,36x2,20	
	64.041.092GSU2010	20	7/8"-14	26,8	31,3	20,8	12,7	42,5	32	36	19,18x2,46	
	64.041.092GSU2012	20	1"1/16-12	31,8	30,9	20,4	15,1	42	32	36	23,47x2,95	
	64.041.092GSU2016	20	1"5/16-12	40,8	33	22,5	15	-	41	36	29,74x2,95	
	64.041.092GSU2512	25	1"1/16-12	31,8	34,9	22,9	15,1	47	36	46	23,47x2,95	
	64.041.092GSU2516	25	1"5/16-12	40,8	34,9	22,9	15,1	47	41	46	29,74x2,95	
	64.041.092GSU3012	30	1"1/16-12	31,8	39,9	23,5	15	50	46	50	23,47x2,95	
	64.041.092GSU3016	30	1"5/16-12	40,8	36,9	23,4	15,1	50	46	50	29,74x2,95	
	64.041.092GSU3020	30	1"5/8-12	49,8	36,9	23,4	15,1	50	50	50	37,46x3,00	
	64.041.092GSU3820	38	1"5/8-12	49,8	41,9	25,9	15,1	57	55	60	37,46x3,00	
	64.041.092GSU3824	38	1"7/8-12	54,8	41,9	25,9	15,1	57	55	60	43,69x3,00	

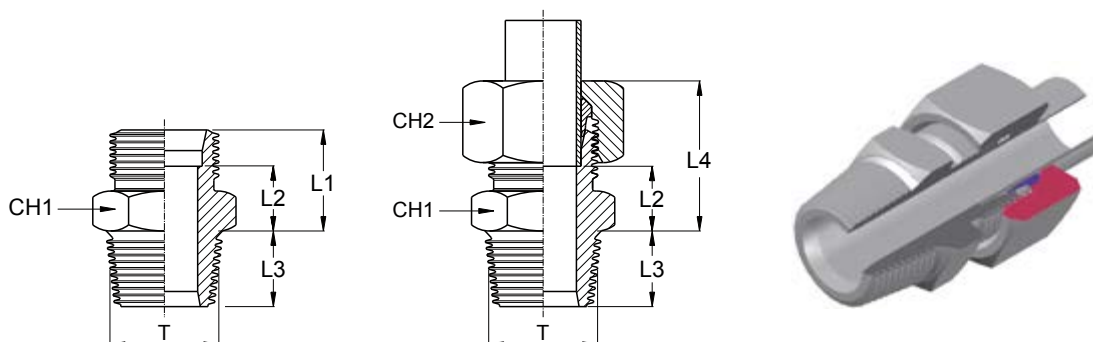
\*Adaptateur seul, les bagues et écrous sont à commander séparément



DIN Série	Pression de service (bar)	Code*	Ø ext. tube	Fillette T	L1	L2	L3	L4	CH1	CH2
L	315	64.041.093RL006	6	1/8"	14	7	8	22	14	14
		64.041.093RL006B	6	1/4"	15	8	12	22,5	14	14
		64.041.093RL006C	6	3/8"	16	9	12	24	17	14
		64.041.093RL006D	6	1/2"	16	9	14	26	22	14
		64.041.093RL008A	8	1/8"	15	8	8	22	14	17
		64.041.093RL008	8	1/4"	15	8	12	23	17	17
		64.041.093RL008C	8	3/8"	16	9	12	25	19	17
		64.041.093RL008D	8	1/2"	16	9	14	25	22	17
		64.041.093RL010A	10	1/8"	16	9	8	24	17	19
		64.041.093RL010	10	1/4"	16	9	12	24	17	19
		64.041.093RL010C	10	3/8"	17	10	12	25	19	19
		64.041.093RL010D	10	1/2"	17	10	14	25	22	19
		64.041.093RL012A	12	1/8"	-	-	8	24	19	22
		64.041.093RL012B	12	1/4"	17	10	12	24,5	19	22
		64.041.093RL012	12	3/8"	17	10	12	24,5	19	22
		64.041.093RL012D	12	1/2"	17	10	14	24,5	22	22
		64.041.093RL012F	12	3/4"	-	-	16	26	27	22
		64.041.093RL015B	15	1/4"	-	-	12	25	24	27
	64.041.093RL015C	15	3/8"	18	11	12	26	24	27	
	64.041.093RL015	15	1/2"	18	11	14	26	24	27	
	64.041.093RL015F	15	3/4"	-	-	16	-	27	27	
	64.041.093RL018C	18	3/8"	19	11,5	12	30	27	32	
	64.041.093RL018	18	1/2"	19	11,5	14	28	27	32	
	64.041.093RL018F	18	3/4"	19	11,5	16	28	32	32	
	64.041.093RL022C	22	3/8"	21	13,5	12	34	32	36	
	64.041.093RL022D	22	1/2"	19	11,5	14	32	32	36	
	64.041.093RL022	22	3/4"	21	13,5	16	30	32	36	
	64.041.093RL022H	22	1"	21	13,5	18	32	36	36	
	64.041.093RL028D	28	1/2"	-	-	14	-	41	41	
	64.041.093RL028F	28	3/4"	22	14,5	16	33	41	41	
	64.041.093RL028	28	1"	22	14,5	18	31	41	41	
	64.041.093RL028L	28	1"1/4	18	10,5	20	29	46	41	
64.041.093RL035H	35	1"	20	9,5	18	33	46	50		
64.041.093RL035	35	1"1/4	25	14,5	20	36	46	50		
64.041.093RL035N	35	1"1/2	-	-	22	-	50	50		
64.041.093RL042L	42	1"1/4	22	11	20	35	55	60		
64.041.093RL042	42	2"	27	16	22	39	55	60		

\*Adapteur seul, les bagues et écrous sont à commander séparément

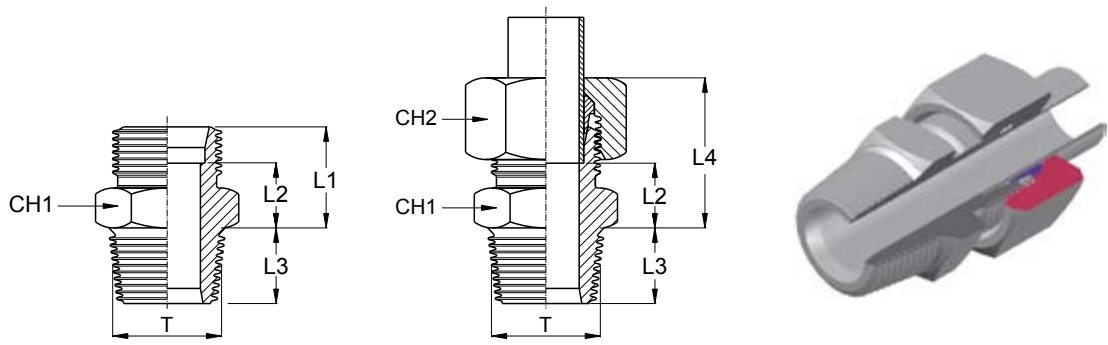
RACCORDS ET ADAPTEURS INOX **DIN** 2353 - Iso 8434-1  
**Adaptateur mâle DIN série S x mâle Gaz cône (nu)**



DIN Série	Pression de service (bar)	Code*	Ø ext. tube	Filetage T	L1	L2	L3	L4	CH1	CH2
S	630	64.041.093RS006A	6	1/8"	-	-	8	-	17	17
		64.041.093RS006	6	1/4"	18	11	12	26	17	17
		64.041.093RS006C	6	3/8"	-	-	12	-	17	17
		64.041.093RS008A	8	1/8"	-	-	8	-	17	19
		64.041.093RS008	8	1/4"	20	13	12	28	17	19
		64.041.093RS008C	8	3/8"	20	13	12	28	19	19
		64.041.093RS010B	10	1/4"	20,5	13	12	29	19	22
		64.041.093RS010	10	3/8"	20	12,5	12	28,5	19	22
		64.041.093RS010D	10	1/2"	-	-	14	-	22	22
		64.041.093RS012B	12	1/4"	22	14,5	12	31	22	24
	64.041.093RS012	12	3/8"	22	14,5	12	30,5	22	24	
	64.041.093RS012D	12	1/2"	22	14,5	14	30,5	22	24	
	64.041.093RS016C	16	3/8"	24	15,5	12	34	27	30	
	64.041.093RS016	16	1/2"	24	15,5	14	34	27	30	
	64.041.093RS016F	16	3/4"	-	-	16	-	27	30	
	64.041.093RS020D	20	1/2"	28	17,5	14	39	32	36	
	64.041.093RS020	20	3/4"	28	17,5	16	39	32	36	
	64.041.093RS020H	20	1"	-	-	18	-	36	36	
	64.041.093RS025F	25	3/4"	32	20	16	44	41	46	
	64.041.093RS025	25	1"	32	20	18	44	41	46	
64.041.093RS030H	30	1"	34	20,5	18	47	46	50		
64.041.093RS030	30	1"1/4	34	20,5	20	47	46	50		
315	64.041.093RS038	42	1"1/2	39	23	22	54	55	60	

\*Adaptateur seul, les bagues et écrous sont à commander séparément

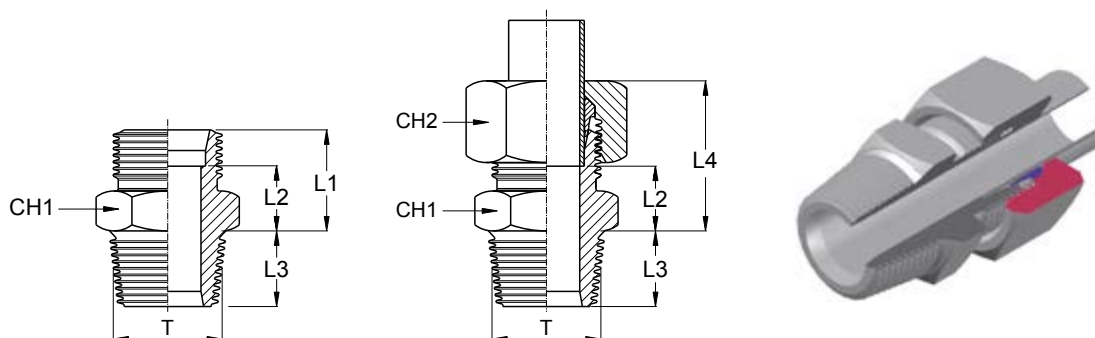
**Adapteur mâle DIN série L x mâle NPT (nu)**



DIN Série	Pression de service (bar)	Code*	Ø ext. tube	Filletage T	L1	L2	L3	L4	CH1	CH2
L	315	64.041.093NPTL06	6	1/8"	14	7	10	22	14	14
		64.041.093NPTL06B	6	1/4"	15	8	15	22,5	14	14
		64.041.093NPTL06C	6	3/8"	14,7	7,7	15,3	22,7	19	14
		64.041.093NPTL06D	6	1/2"	16	9	20	24	22	14
		64.041.093NPTL08A	8	1/8"	15	8	10	23	17	17
		64.041.093NPTL08	8	1/4"	15	8	15	23	17	17
		64.041.093NPTL08C	8	3/8"	16	9	15	24	19	17
		64.041.093NPTL08D	8	1/2"	16,5	9,5	19,5	24,5	22	17
		64.041.093NPTL10A	10	1/4"	16	9	15	24	17	19
		64.041.093NPTL10	10	3/8"	17	10	15	25	19	19
		64.041.093NPTL10C	10	1/2"	17,5	10,5	19,5	25,5	22	19
		64.041.093NPTL10D	10	3/4"	18	11	20	26	27	19
		64.041.093NPTL10F	10	1/8"	16	9	10	24	17	19
		64.041.093NPTL12A	12	1/8"	16	9	10	24	19	22
		64.041.093NPTL12B	12	1/4"	17	10	15	24,5	19	22
		64.041.093NPTL12	12	3/8"	17	10	15	24,5	19	22
		64.041.093NPTL12D	12	1/2"	17,5	10,5	19,5	25	22	22
		64.041.093NPTL12F	12	3/4"	18	11	20	28	27	22
		64.041.093NPTL15B	15	1/4"	18	11	15	30	24	27
		64.041.093NPTL15C	15	3/8"	18	11	15	26	24	27
		64.041.093NPTL15	15	1/2"	18,5	11,5	19,5	26,5	24	27
		64.041.093NPTL15F	15	3/4"	19	12	20	27	27	27
		64.041.093NPTL18C	18	3/8"	18,7	11,2	15,3	27,7	27	32
		64.041.093NPTL18	18	1/2"	19,5	12	19,5	28,5	27	32
	64.041.093NPTL18F	18	3/4"	19	11,5	20	28	32	32	
	64.041.093NPTL18H	18	1"	20	12,5	25	29	36	32	
	64.041.093NPTL22C	22	3/8"	20,7	13,2	15,3	29,7	32	36	
	64.041.093NPTL22D	22	1/2"	21	13,5	20	30	32	36	
	64.041.093NPTL22	22	3/4"	21	13,5	20	30	32	36	
	64.041.093NPTL22H	22	1"	22	14,5	25	31	36	36	
	64.041.093NPTL22L	22	1"1/4	28,5	21	25,5	42,5	46	36	
	64.041.093NPTL28D	28	1/2"	22,5	15	20	36	41	41	
	64.041.093NPTL28F	28	3/4"	22	14,5	20	31	41	41	
	64.041.093NPTL28	28	1"	22	14,5	25	31	41	41	
	64.041.093NPTL28L	28	1"1/4	23	15,5	25,5	22,5	46	41	
	64.041.093NPTL35F	35	3/4"	-	-	20	-	46	50	
	64.041.093NPTL35H	35	1"	25	14,5	25	36	46	50	
	64.041.093NPTL35	35	1"1/4	25,5	15	25,5	36,5	46	50	
	64.041.093NPTL35N	35	1"1/2	27	16,5	26	43	55	50	
	64.041.093NPTL42H	42	1"	26,5	15,5	25	42	55	60	
	64.041.093NPTL42L	42	1"1/4	27,5	16,5	25,5	39,5	55	60	
	64.041.093NPTL42N	42	1"1/2	27	16	26	39	55	60	

\*Adapteur seul, les bagues et écrous sont à commander séparément

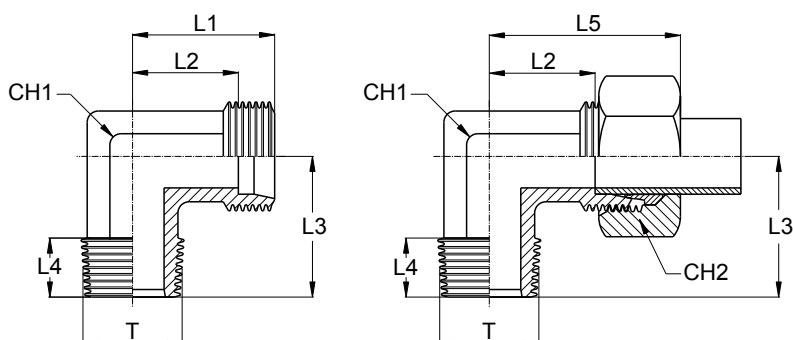




DIN Série	Pression de service (bar)	Code*	Ø Ext. Tube	Filetage T	L1	L2	L3	L4	CH1	CH2
S	630	64.041.093NPTS06A	6	1/8"	18,0	11,0	10,0	26,0	14	17
		64.041.093NPTS06	6	1/4"	18,0	11,0	15,0	26,0	17	17
		64.041.093NPTS06C	6	3/8"	17,7	10,7	15,3	25,7	19	17
		64.041.093NPTS06D	6	1/2"	22,0	15,0	20,0	30,0	22	17
		64.041.093NPTS08A	8	1/8"	20,0	13,0	10,0	-	17	19
		64.041.093NPTS08	8	1/4"	20,0	13,0	15,0	28,0	17	19
		64.041.093NPTS08C	8	3/8"	19,7	12,7	15,3	27,7	19	19
		64.041.093NPTS08D	8	1/2"	22,0	15,0	20,0	30,0	22	19
		64.041.093NPTS10A	10	1/8"	-	-	10,0	-	19	22
		64.041.093NPTS10B	10	1/4"	20,0	12,5	15,0	29,0	19	22
		64.041.093NPTS10	10	3/8"	20,0	12,5	15,0	28,5	19	22
		64.041.093NPTS10D	10	1/2"	22,0	14,5	20,0	31,0	22	22
		64.041.093NPTS10F	10	3/4"	24,0	16,5	20,0	33,0	27	22
		64.041.093NPTS12B	12	1/4"	22,0	14,5	15,0	31,0	22	24
		64.041.093NPTS12	12	3/8"	22,0	14,5	15,0	30,5	22	24
	64.041.093NPTS12D	12	1/2"	22,5	15,0	19,5	31,0	22	24	
	64.041.093NPTS12F	12	3/4"	24,0	16,5	20,0	33,0	27	24	
	64.041.093NPTS16C	16	3/8"	24,0	15,5	15,0	34,0	27	30	
	64.041.093NPTS16	16	1/2"	24,5	16,0	19,5	34,5	27	30	
	64.041.093NPTS16F	16	3/4"	26,0	17,5	20,0	36,0	30	30	
	64.041.093NPTS16H	16	1"	28,0	19,5	25,0	38,0	36	30	
	64.041.093NPTS20C	20	3/8"	27,7	17,2	15,3	-	32	36	
	64.041.093NPTS20D	20	1/2"	28,5	18,0	19,5	39,5	32	36	
	64.041.093NPTS20	20	3/4"	28,0	17,5	20,0	39,0	32	36	
	64.041.093NPTS20H	20	1"	28,0	17,5	25,0	39,0	36	36	
	64.041.093NPTS20L	20	1"1/4	-	-	25,5	-	46	36	
	64.041.093NPTS25D	25	1/2"	-	-	20,0	-	41	46	
	64.041.093NPTS25F	25	3/4"	32,0	20,0	20,0	44,0	41	46	
	64.041.093NPTS25	25	1"	32,0	20,0	25,0	44,0	41	46	
	64.041.093NPTS25L	25	1"1/4	32,5	20,5	25,5	44,5	46	46	
	64.041.093NPTS30F	30	3/4"	34,0	20,5	20,0	47,0	46	50	
	64.041.093NPTS30H	30	1"	34,0	20,5	25,0	47,0	46	50	
	64.041.093NPTS30	30	1"1/4	34,5	21,0	25,5	47,5	46	50	
64.041.093NPTS30N	30	1"1/2	34,0	20,5	26,0	47,0	55	50		
64.041.093NPTS38H	38	1"	39,0	23,0	25,0	54,0	55	60		
64.041.093NPTS38L	38	1"1/4	39,5	23,5	25,5	54,5	55	60		
64.041.093NPTS38	38	1"1/2	39,0	23,0	26,0	54,0	55	60		
	315									

\*Adapteur seul, les bagues et écrous sont à commander séparément

## Coude mâle DIN série L x mâle Gaz cône (nu)

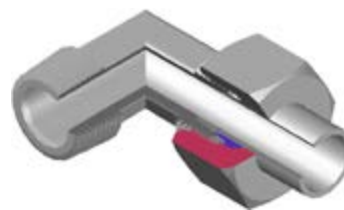
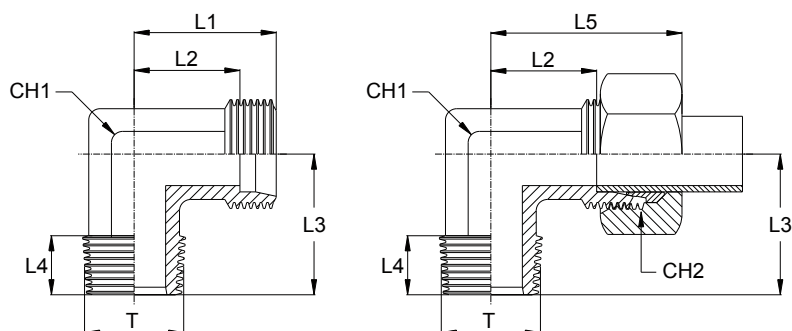


DIN Série	Pression de service (bar)	Code*	Ø ext. tube	Filletage T	L1	L2	L3	L4	L5	CH1	CH2
L	315	64.041.094RL006	6	1/8"	19	12	20	8	27	12	14
		64.041.094RL006B	6	1/4"	21	14	26	12	29	12	14
		64.041.094RL006C	6	3/8"	22	15	27	12	30	14	14
		64.041.094RL006D	6	1/2"	22,5	15,5	30	14	30,5	17	14
		64.041.094RL008A	8	1/8"	21	14	22	8	29	12	17
		64.041.094RL008	8	1/4"	21	14	26	12	29	12	17
		64.041.094RL008C	8	3/8"	23	16	28	12	31	17	17
		64.041.094RL008D	8	1/2"	26	19	34	14	34	19	17
		64.041.094RL010A	10	1/8"	22	15	22	8	30	14	19
		64.041.094RL010	10	1/4"	22	15	27	12	30	14	19
		64.041.094RL010C	10	3/8"	24	17	28	12	32	17	19
		64.041.094RL010D	10	1/2"	27	20	34	14	35	19	19
		64.041.094RL012A	12	1/8"	24,5	17,5	27	8	32	17	22
		64.041.094RL012B	12	1/4"	24	17	28	12	32	17	22
		64.041.094RL012	12	3/8"	24	17	28	12	32	17	22
		64.041.094RL012D	12	1/2"	27	20	34	14	34	19	22
		64.041.094RL015B	15	1/4"	28	21	32	12	36	19	27
		64.041.094RL015C	15	3/8"	28	21	30	12	36	19	27
		64.041.094RL015	15	1/2"	28	21	34	14	36	19	27
		64.041.094RL015F	15	3/4"	-	-	-	16	-	27	27
	64.041.094RL018C	18	3/8"	31	23,5	-	12	40	24	32	
	64.041.094RL018	18	1/2"	31	23,5	36	14	40	24	32	
	64.041.094RL018F	18	3/4"	34	26,5	42	16	43	27	32	
	160	64.041.094RL022D	22	1/2"	35	27,5	41	14	44	27	36
		64.041.094RL022	22	3/4"	35	27,5	42	16	44	27	36
		64.041.094RL028	28	1"	38	30,5	48	18	47	36	41
64.041.094RL035		35	1"1/4	45	34,5	54	20	56	41	50	
64.041.094RL042		42	1"1/2	51	40	61	22	63	50	60	

\*Coude seul, les bagues et écrous sont à commander séparément.



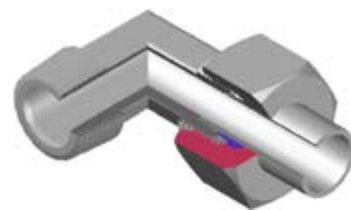
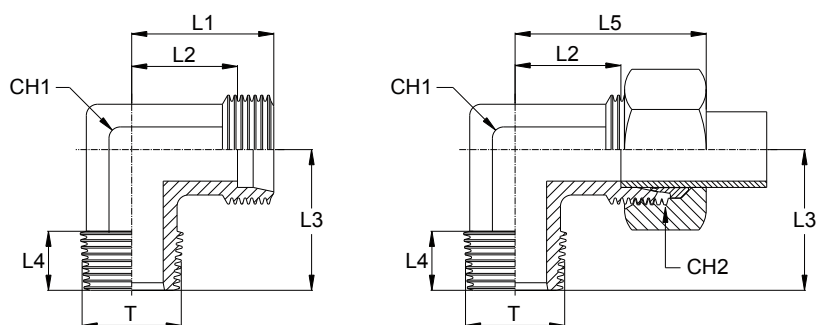
RACCORDS ET ADAPTEURS INOX **DIN 2353** - Iso 8434-1  
**Coude inox DIN série S x mâle Gaz cône (nu)**



DIN Série	Pression de service (bar)	Code*	Ø Ext. Tube	Filetage T	L1	L2	L3	L4	L5	CH1	CH2
S	630	64.041.094RS006A	6	1/8"	22,0	15,0	25,0	8,0	29,5	12	17
		64.041.094RS006	6	1/4"	23,0	16,0	26,0	12,0	31,0	12	17
		64.041.094RS006C	6	3/8"	23,5	16,5	26,0	12,0	31,0	14	17
		64.041.094RS006D	6	1/2"	26,0	19,0	33,0	14,0	34,0	17	17
		64.041.094RS008A	8	1/8"	-	-	-	8,0	-	14	19
		64.041.094RS008	8	1/4"	24,0	17,0	27,0	12,0	32,0	14	19
		64.041.094RS008C	8	3/8"	25,0	18,0	28,0	12,0	33,0	14	19
		64.041.094RS008D	8	1/2"	30,0	23,0	33,0	14,0	38,0	17	19
		64.041.094RS010A	10	1/8"	-	-	-	8,0	-	17	22
		64.041.094RS010B	10	1/4"	25,0	17,5	28,0	12,0	34,0	17	22
	64.041.094RS010	10	3/8"	25,0	17,5	28,0	12,0	34,0	17	22	
	64.041.094RS010D	10	1/2"	30,0	22,5	34,0	14,0	39,0	19	22	
	64.041.094RS012B	12	1/4"	29,0	21,5	27,0	12,0	38,0	17	24	
	64.041.094RS012	12	3/8"	29,0	21,5	28,0	12,0	38,0	17	24	
	64.041.094RS012D	12	1/2"	28,0	20,5	32,0	14,0	37,0	19	24	
	64.041.094RS014C	14	3/8"	30,0	22,0	30,0	12,0	40,0	19	27	
	64.041.094RS014	14	1/2"	30,0	22,0	32,0	14,0	40,0	19	27	
	64.041.094RS016C	16	3/8"	33,0	24,5	37,0	12,0	43,0	24	30	
	64.041.094RS016	16	1/2"	33,0	24,5	32,0	14,0	43,0	24	30	
	64.041.094RS016F	16	3/4"	33,0	24,5	41,0	16,0	43,0	27	30	
64.041.094RS020D	20	1/2"	37,0	26,5	36,0	14,0	48,0	27	36		
64.041.094RS020	20	3/4"	37,0	26,5	42,0	16,0	48,0	27	36		
64.041.094RS025F	25	3/4"	42,0	30,0	42,0	16,0	54,0	36	46		
64.041.094RS025	25	1"	42,0	30,0	48,0	18,0	54,0	36	46		
64.041.094RS030H	30	1"	49,0	35,5	48,0	18,0	62,0	41	50		
64.041.094RS030	30	1"1/4	49,0	35,5	54,0	20,0	62,0	41	50		
315	64.041.094RS038	38	1"1/2	57,0	41,0	61,0	22,0	72,0	50	60	

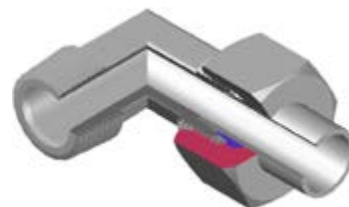
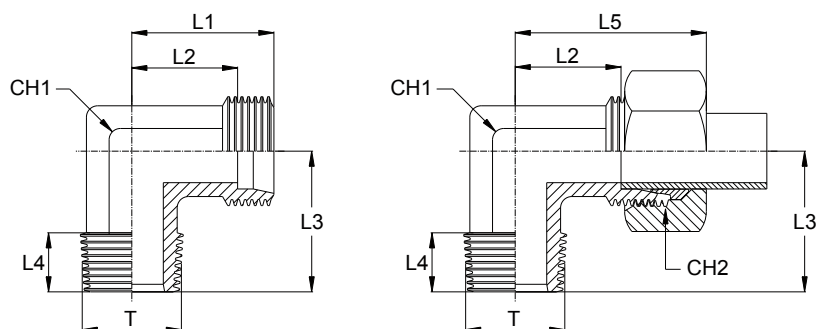
\*Coude seul, les bagues et écrous sont à commander séparément.

**Coude mâle DIN série L x mâle NPT (nu)**



DIN Série	Pression de service (bar)	Code*	Ø Ext. Tube	Filetage T	L1	L2	L3	L4	L5	CH1	CH2
L	315	64.041.094NPTL006	6	1/8"	19,0	12,0	20,0	10,0	27,0	12	14
		64.041.094NPTL006B	6	1/4"	21,0	14,0	26,0	15,0	29,0	12	14
		64.041.094NPTL006C	6	3/8"	25,0	18,0	28,0	15,3	33,0	14	-
		64.041.094NPTL006D	6	1/2"	22,5	15,5	30,0	20,0	30,5	17	14
		64.041.094NPTL008A	8	1/8"	21,0	14,0	24,0	10,0	29,0	12	17
		64.041.094NPTL008	8	1/4"	21,0	14,0	26,0	15,0	29,0	12	17
		64.041.094NPTL008C	8	3/8"	23,0	16,0	28,0	15,0	31,0	17	17
		64.041.094NPTL008D	8	1/2"	26,0	19,0	34,0	19,5	34,0	19	17
		64.041.094NPTL010A	10	1/8"	22,0	15,0	24,0	10,0	30,0	14	19
		64.041.094NPTL010	10	1/4"	22,0	15,0	27,0	15,0	30,0	14	19
		64.041.094NPTL010C	10	3/8"	24,0	17,0	28,0	15,0	32,0	17	19
		64.041.094NPTL010D	10	1/2"	27,0	20,0	34,0	19,5	35,0	19	19
		64.041.094NPTL012B	12	1/4"	24,0	17,0	28,0	15,0	32,0	17	22
		64.041.094NPTL012	12	3/8"	24,0	17,0	28,0	15,0	32,0	17	22
		64.041.094NPTL012D	12	1/2"	27,0	20,0	34,0	19,5	35,0	19	22
		64.041.094NPTL015C	15	3/8"	28,0	21,0	33,0	15,0	36,0	19	27
		64.041.094NPTL015D	15	1/2"	28,0	21,0	34,0	19,5	36,0	19	27
		64.041.094NPTL015F	15	3/4"	28,0	21,0	42,0	20,0	36,0	24	27
	64.041.094NPTL018C	18	3/8"	31,0	23,5	36,0	15,3	40,0	24	32	
	64.041.094NPTL018D	18	1/2"	31,0	23,5	36,0	19,5	40,0	24	32	
	64.041.094NPTL018F	18	3/4"	34,0	26,5	42,0	20,0	43,0	27	32	
	64.041.094NPTL022D	22	1/2"	35,0	27,5	42,0	20,0	44,0	27	36	
	64.041.094NPT022F	22	3/4"	35,0	27,5	42,0	20,0	44,0	27	36	
	64.041.094NPTL028F	28	3/4"	38,0	30,5	48,0	20,0	47,0	36	41	
	64.041.094NPTL028	28	1"	38,0	30,5	48,0	25,0	47,0	36	41	
	64.041.094NPTL035	35	1"1/4	45,0	34,5	57,0	25,5	56,0	41	50	
64.041.094NPTL042	42	1"1/2	51,0	40,0	61,0	26,0	63,0	50	60		
	160										

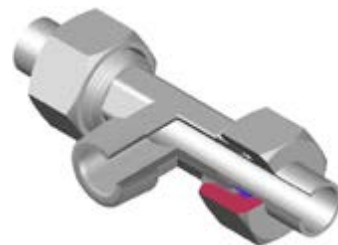
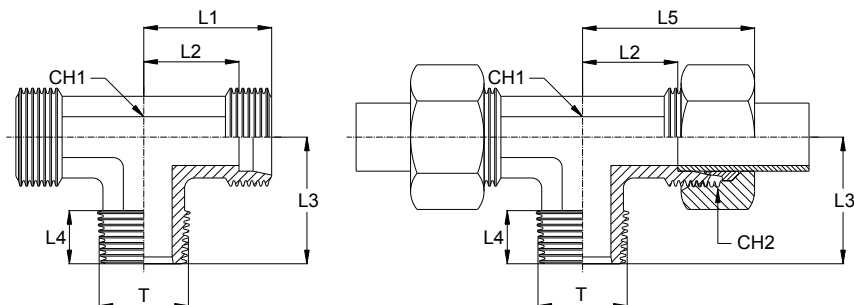
\*Coude seul, les bagues et écrous sont à commander séparément.



DIN Série	Pression de service (bar)	Code*	Ø Ext. Tube	Filottage T	L1	L2	L3	L4	L5	CH1	CH2
S	630	64.041.094NPTS006	6	1/4"	23,0	16,0	26,0	15,0	31,0	12	17
		64.041.094NPTS006C	6	3/8"	24,5	17,5	27,0	15,3	32,0	14	17
		64.041.094NPTS006D	6	1/2"	28,0	21,0	34,0	20,0	36,0	17	17
		64.041.094NPTS008	8	1/4"	24,0	17,0	27,0	15,0	32,0	14	19
		64.041.094NPTS008C	8	3/8"	25,0	18,0	28,0	15,3	33,0	14	19
		64.041.094NPTS008D	8	1/2"	30,0	23,0	34,0	20,0	38,0	17	19
		64.041.094NPTS010B	10	1/4"	25,0	17,5	28,0	15,0	34,0	17	22
		64.041.094NPTS010	10	3/8"	25,0	17,5	28,0	15,0	34,0	17	22
		64.041.094NPTS010D	10	1/2"	30,0	22,5	32,0	20,0	39,0	19	22
		64.041.094NPTS012B	12	1/4"	29,0	21,5	29,0	15,0	38,0	17	24
		64.041.094NPTS012	12	3/8"	29,0	21,5	28,0	15,0	38,0	17	24
		64.041.094NPTS012D	12	1/2"	28,0	20,5	34,0	19,5	37,0	19	24
	64.041.094NPTS014C	14	3/8"	30,0	22,0	33,0	15,0	40,0	19	27	
	64.041.094NPTS014	14	1/2"	30,0	22,0	34,0	19,5	40,0	19	27	
	64.041.094NPTS016C	16	3/8"	33,0	24,5	37,0	15,0	43,0	24	30	
	64.041.094NPTS016	16	1/2"	33,0	24,5	36,0	19,5	43,0	24	30	
	64.041.094NPTS016F	16	3/4"	33,0	24,5	41,0	20,0	43,0	27	30	
	64.041.094NPTS020D	20	1/2"	37,0	26,5	42,0	19,5	48,0	27	36	
	64.041.094NPTS020	20	3/4"	37,0	26,5	42,0	20,0	48,0	27	36	
	64.041.094NPTS025F	25	3/4"	42,0	30,0	46,0	20,0	54,0	36	46	
64.041.094NPTS025	25	1"	42,0	30,0	48,0	25,0	54,0	36	46		
64.041.094NPTS030H	30	1"	49,0	35,5	55,0	25,0	62,0	41	50		
64.041.094NPTS030	30	1"1/4	49,0	35,5	57,0	25,5	62,0	41	50		
315	64.041.094NPTS038	38	1"1/2	57,0	41,0	61,0	26,0	72,0	50	60	

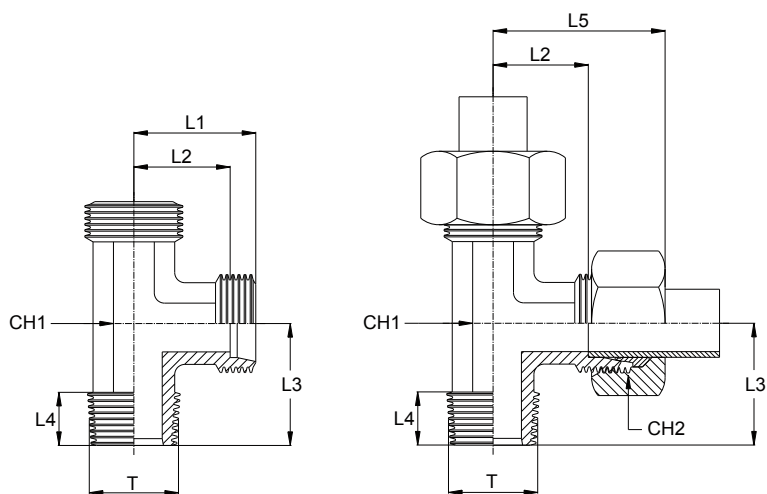
\*Coude seul, les bagues et écrous sont à commander séparément.

## Té mâle DIN x mâle BSP central (nu)



DIN Série	Pression de service (bar)	Code*	Ø Ext. Tube	Filetage T	L1	L2	L3	L4	L5	CH1	CH2
L	315	64.041.096RL006	6	1/8"	19,0	12,0	20,0	8,0	27,0	12	14
		64.041.096RL008	8	1/4"	21,0	14,0	26,0	12,0	29,0	12	17
		64.041.096RL010	10	1/4"	22,0	15,0	27,0	12,0	30,0	14	19
		64.041.096RL012	12	3/8"	24,0	17,0	28,0	12,0	32,0	17	22
		64.041.096RL015	15	1/2"	28,0	21,0	34,0	14,0	36,0	19	27
	160	64.041.096RL018	18	1/2"	31,0	23,5	36,0	14,0	40,0	24	32
		64.041.096RL022	22	3/4"	35,0	27,5	42,0	16,0	44,0	27	36
		64.041.096RL028	28	1"	38,0	30,5	48,0	18,0	47,0	36	41
		64.041.096RL035	35	1"1/4	45,0	34,5	54,0	20,0	56,0	41	50
S	630	64.041.096RL042	42	1"1/2	51,0	40,0	61,0	22,0	63,0	50	60
		64.041.096RS006	6	1/4"	23,0	16,0	26,0	12,0	31,0	12	17
		64.041.096RS008	8	1/4"	24,0	17,0	27,0	12,0	32,0	14	19
		64.041.096RS010	10	3/8"	25,0	17,5	28,0	12,0	34,0	17	22
		64.041.096RS012	12	3/8"	29,0	21,5	28,0	12,0	38,0	17	24
	400	64.041.096RS014	14	1/2"	30,0	22,0	32,0	14,0	40,0	19	27
		64.041.096RS016	16	1/2"	33,0	24,5	32,0	14,0	43,0	24	30
		64.041.096RS020	20	3/4"	37,0	26,5	42,0	16,0	48,0	27	36
		64.041.096RS025	25	1"	42,0	30,0	48,0	18,0	54,0	36	46
	315	64.041.096RS030	30	1"1/4	49,0	35,5	54,0	20,0	62,0	41	50
64.041.096RS038		38	1"1/2	57,0	41,0	61,0	22,0	72,0	50	60	

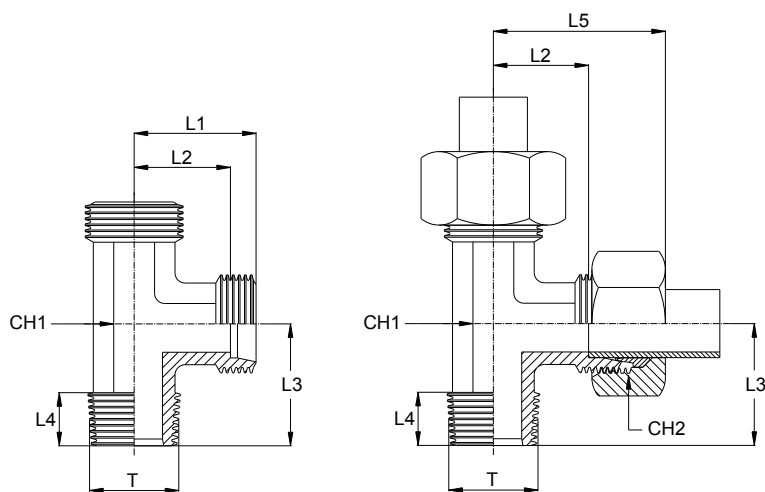
\*Té seul, les bagues et écrous sont à commander séparément.



DIN Série	Pression de service (bar)	Code*	Ø Ext. Tube	Filetage T	L1	L2	L3	L4	L5	CH1	CH2
L	315	64.041.127RL006	6	1/8"	19,0	12,0	20,0	8,0	27,0	12	14
		64.041.127RL008	8	1/4"	21,0	14,0	26,0	12,0	29,0	12	17
		64.041.127RL010	10	1/4"	22,0	15,0	27,0	12,0	30,0	14	19
		64.041.127RL012	12	3/8"	24,0	17,0	28,0	12,0	32,0	17	22
		64.041.127RL015	15	1/2"	28,0	21,0	34,0	14,0	36,0	19	27
	64.041.127RL018	18	1/2"	31,0	23,5	36,0	14,0	40,0	24	32	
	64.041.127RL022	22	3/4"	35,0	27,5	42,0	16,0	44,0	27	36	
	64.041.127RL028	28	1"	38,0	30,5	48,0	18,0	47,0	36	41	
	64.041.127RL035	35	1"1/4	45,0	34,5	54,0	20,0	56,0	41	50	
64.041.127RL042	42	1"1/2	51,0	40,0	61,0	22,0	63,0	50	60		
S	630	64.041.127RS006	6	1/4"	23,0	16,0	26,0	12,0	31,0	12	17
		64.041.127RS008	8	1/4"	24,0	17,0	27,0	12,0	32,0	14	19
		64.041.127RS010	10	3/8"	25,0	17,5	28,0	12,0	34,0	17	22
		64.041.127RS012	12	3/8"	29,0	21,5	28,0	12,0	38,0	17	24
		64.041.127RS014	14	1/2"	30,0	22,0	32,0	14,0	40,0	19	27
	64.041.127RS016	16	1/2"	33,0	24,5	32,0	14,0	43,0	24	30	
	64.041.127RS020	20	3/4"	37,0	26,5	42,0	16,0	48,0	27	36	
	64.041.127RS025	25	1"	42,0	30,0	48,0	18,0	54,0	36	46	
	64.041.127RS030	30	1"1/4	49,0	35,5	54,0	20,0	62,0	41	50	
315	64.041.127RS038	38	1"1/2	57,0	41,0	61,0	22,0	72,0	50	60	

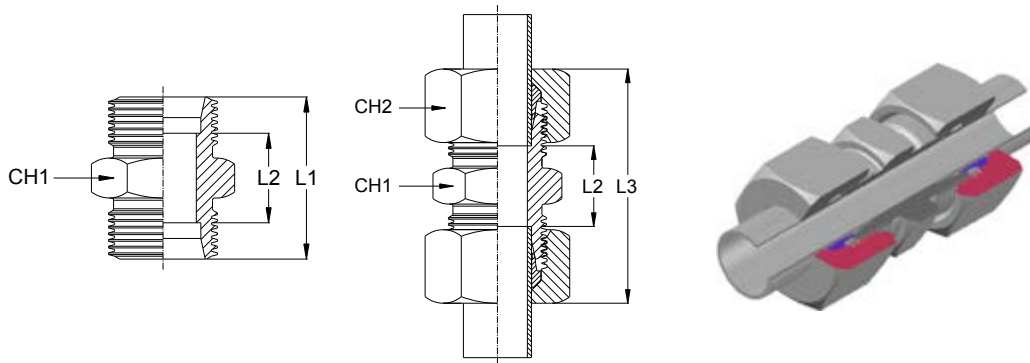
\*Té seul, les bagues et écrous sont à commander séparément.

**Té mâle DIN x mâle NPT latéral (nu)**



DIN Série	Pression de service (bar)	Code*	Ø Ext. Tube	Filetage T	L1	L2	L3	L4	L5	CH1	CH2
L	315	64.041.127NPTL06	6	1/8"	19,0	12,0	20,0	10,0	27,0	12	14
		64.041.127NPTL08	8	1/4"	21,0	14,0	26,0	15,0	29,0	12	17
		64.041.127NPTL10	10	1/4"	22,0	15,0	27,0	15,0	30,0	14	19
		64.041.127NPTL12	12	3/8"	24,0	17,0	28,0	15,0	32,0	17	22
		64.041.127NPTL15	15	1/2"	28,0	21,0	34,0	19,5	36,0	19	27
	64.041.127NPTL18	18	1/2"	31,0	23,5	36,0	19,5	40,0	24	32	
	64.041.127NPTL22	22	3/4"	35,0	27,5	42,0	20,0	44,0	27	36	
	64.041.127NPTL28	28	1"	38,0	30,5	48,0	25,0	47,0	36	41	
	64.041.127NPTL35	35	1"1/4	45,0	34,5	57,0	25,5	56,0	41	50	
64.041.127NPTL42	42	1"1/2	51,0	40,0	61,0	26,0	63,0	50	60		
S	630	64.041.127NPTS06	6	1/4"	23,0	16,0	26,0	15,0	31,0	12	17
		64.041.127NPTS08	8	1/4"	24,0	17,0	27,0	15,0	32,0	14	19
		64.041.127NPTS10	10	3/8"	25,0	17,5	28,0	15,0	34,0	17	22
		64.041.127NPTS12	12	3/8"	29,0	21,5	28,0	15,0	38,0	17	24
		64.041.127NPTS14	14	1/2"	30,0	22,0	34,0	19,5	40,0	19	27
	64.041.127NPTS16	16	1/2"	33,0	24,5	36,0	19,5	43,0	24	30	
	64.041.127NPTS20	20	3/4"	37,0	26,5	42,0	20,0	48,0	27	36	
	64.041.127NPTS25	25	1"	42,0	30,0	48,0	25,0	54,0	36	46	
	64.041.127NPTS30	30	1"1/4	49,0	35,5	57,0	25,5	62,0	41	50	
64.041.127NPTS38	38	1"1/2	57,0	41,0	61,0	26,0	72,0	50	60		

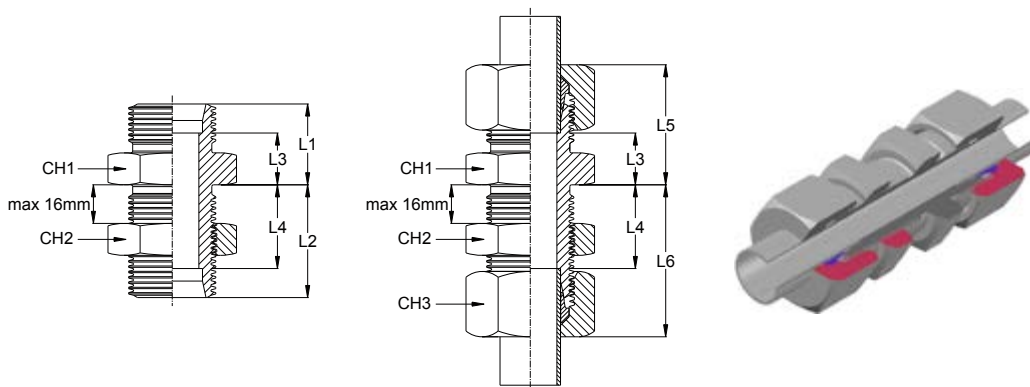
\*Té seul, les bagues et écrous sont à commander séparément.



DIN Série	Pression de service (bar)	Code*	Ø Ext. Tube	L1	L2	L3	CH1	CH2
L	630	64.041.098NL006	6	24,0	10,0	39,0	14	14
		64.041.098NL008	8	25,0	11,0	40,0	14	17
		64.041.098NL010	10	27,0	13,0	42,0	17	19
	450	64.041.098NL012	12	28,0	14,0	43,0	19	22
		64.041.098NL015	15	30,0	16,0	46,0	24	27
		64.041.098NL018	18	31,0	16,0	48,0	27	32
	300	64.041.098NL022	22	35,0	20,0	52,0	32	36
		64.041.098NL028	28	36,0	21,0	54,0	41	41
		64.041.098NL035	35	41,0	20,0	63,0	46	50
64.041.098NL042		42	43,0	21,0	66,0	55	60	
S	900	64.041.098NS006	6	30,0	16,0	45,0	14	17
		64.041.098NS008	8	32,0	18,0	47,0	17	19
	800	64.041.098NS010	10	32,0	17,0	49,0	19	22
		64.041.098NS012	12	34,0	19,0	51,0	22	24
	700	64.041.098NS014	14	38,0	22,0	57,0	24	27
		64.041.098NS016	16	38,0	21,0	57,0	27	30
	650	64.041.098NS020	20	44,0	23,0	66,0	32	36
		64.041.098NS025	25	50,0	26,0	74,0	41	46
64.041.098NS030		30	54,0	27,0	80,0	46	50	
64.041.098NS038		38	61,0	29,0	90,0	55	60	

\*Union seule, les bagues et écrous sont à commander séparément.

**Union double mâle DIN passe cloison + contre écrou (nue)**

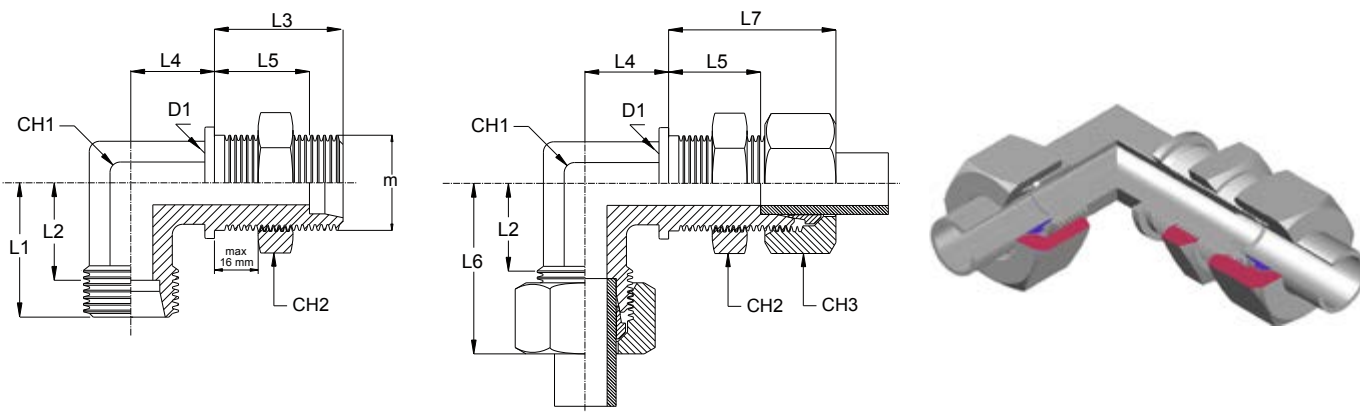


DIN Série	Pression de service (bar)	Code*	Ø Ext. Tube	Filetage contre-écrou	L1	L2	L3	L4	L5	L6	CH1	CH2	CH3
L	630	64.041.102L006	6	12x1,5	14,0	34,0	7,0	27,0	22,0	42,0	17	17	14
		64.041.102L008	8	14x1,5	15,0	34,0	8,0	27,0	23,0	42,0	19	19	17
		64.041.102L010	10	16x1,5	17,0	35,0	10,0	28,0	25,0	43,0	22	22	19
	450	64.041.102L012	12	18x1,5	17,0	36,0	10,0	29,0	25,0	44,0	24	24	22
		64.041.102L015	15	22x1,5	19,0	38,0	12,0	31,0	27,0	46,0	27	30	27
		64.041.102L018	18	26x1,5	21,0	40,0	13,5	32,5	30,0	49,0	32	36	32
	300	64.041.102L022	22	30x2,0	24,0	42,0	16,5	34,5	33,0	51,0	36	41	36
		64.041.102L028	28	36x2,0	26,0	43,0	18,5	35,5	35,0	52,0	41	46	41
		64.041.102L035	35	45x2,0	29,0	47,0	18,5	36,5	40,0	58,0	50	55	50
		64.041.102L042	42	52x2,0	30,0	47,0	19,0	36,0	42,0	59,0	60	65	60
S	900	64.041.102S006	6	14x1,5	19,0	36,0	12,0	29,0	27,0	44,0	19	19	17
		64.041.102S008	8	16x1,5	20,0	36,0	13,0	29,0	28,0	44,0	22	22	19
	800	64.041.102S010	10	18x1,5	22,0	37,0	14,5	29,5	31,0	46,0	24	24	22
		64.041.102S012	12	20x1,5	22,0	38,0	14,5	30,5	31,0	47,0	27	27	24
	700	64.041.102S014	14	22x1,5	25,0	40,0	17,0	32,0	35,0	50,0	30	30	27
		64.041.102S016	16	24x1,5	25,0	40,0	16,5	31,5	35,0	50,0	32	32	30
	420	64.041.102S020	20	30x2,0	28,0	44,0	17,5	33,5	39,0	55,0	41	41	36
		64.041.102S025	25	36x2,0	32,0	47,0	20,0	35,0	44,0	59,0	46	46	46
		64.041.102S030	30	42x2,0	35,0	51,0	21,5	37,5	48,0	64,0	50	50	50
		64.041.102S038	38	52x2,0	38,0	53,0	22,0	37,0	53,0	68,0	65	65	60

\*Raccord seul, les bagues et écrous sont à commander séparément.



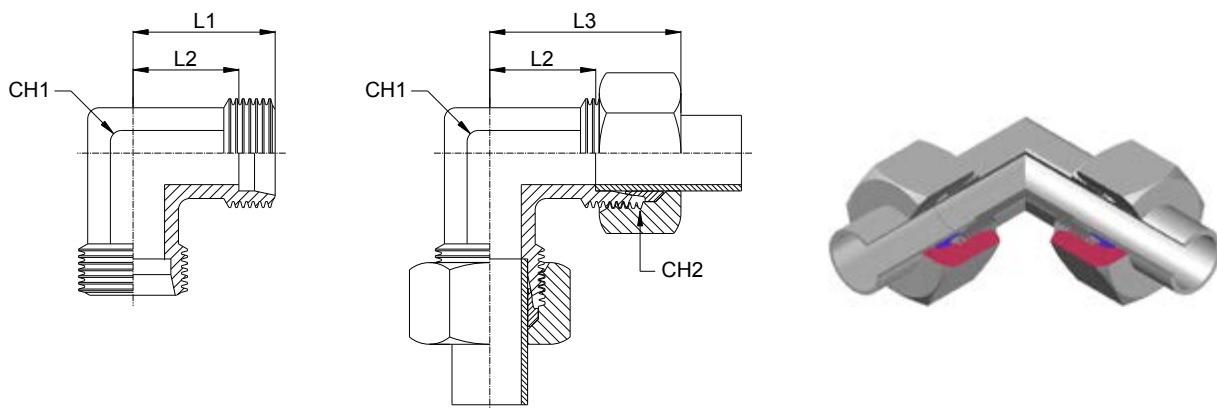
RACCORDS ET ADAPTEURS INOX **DIN 2353 - Iso 8434-1**  
**Coude égal passe cloison mâle DIN + contre-écrou (nu)**



DIN Série	Pression de service (bar)	Code*	Ø Ext. Tube	D1	Filetage contre-écrou	L1	L2	L3	L4	L5	L6	L7	CH1	CH2	CH3
L	315	64.041.118L006	6	17	12x1,5	19,0	12,0	34,0	14,0	27,0	19,0	42	12	17	14
		64.041.118L008	8	19	14x1,5	21,0	14,0	34,0	17,0	27,0	21,0	42	12	19	17
		64.041.118L010	10	22	16x1,5	22,0	15,0	35,0	18,0	28,0	22,0	43	14	22	19
		64.041.118L012	12	24	18x1,5	24,0	17,0	36,0	20,0	29,0	24,0	44	17	24	22
		64.041.118L015	15	27	22x1,5	28,0	21,0	38,0	23,0	31,0	28,0	46	19	30	27
	160	64.041.118L022	22	36	30x2,0	35,0	27,5	42,0	30,0	34,5	35,0	51	27	41	36
		64.041.118L028	28	42	36x2,0	38,0	30,5	43,0	34,0	35,5	38,0	52	36	46	41
		64.041.118L035	35	50	45x2,0	45,0	34,5	47,0	39,0	36,5	45,0	58	41	55	50
		64.041.118L042	42	60	52x2,0	51,0	40,0	47,0	43,0	36,0	51,0	59	50	65	60
		64.041.118S006	6	19	14x1,5	23,0	16,0	36,0	17,0	29,0	23,0	44	12	19	17
S	630	64.041.118S008	8	22	16x1,5	24,0	17,0	36,0	18,0	29,0	24,0	44	14	22	19
		64.041.118S010	10	24	18x1,5	25,0	17,5	37,0	20,0	29,5	25,0	46	17	24	22
		64.041.118S012	12	27	20x1,5	29,0	21,5	38,0	21,0	30,5	29,0	47	17	27	24
		64.041.118S014	14	27	22x1,5	30,0	22,0	40,0	23,0	32,0	30,0	50	19	30	27
		64.041.118S016	16	30	24x1,5	33,0	24,5	40,0	24,0	31,5	33,0	50	24	32	30
	400	64.041.118S020	20	36	30x2,0	37,0	26,5	44,0	30,0	33,5	37,0	55	27	41	36
		64.041.118S025	25	42	36x2,0	42,0	30,0	47,0	34,0	35,0	42,0	59	36	46	46
		64.041.118S030	30	50	42x2,0	49,0	35,5	51,0	39,0	37,5	49,0	64	41	50	50
	315	64.041.118S038	38	60	52x2,0	57,0	41,0	53,0	43,0	37,0	57,0	68	50	65	60

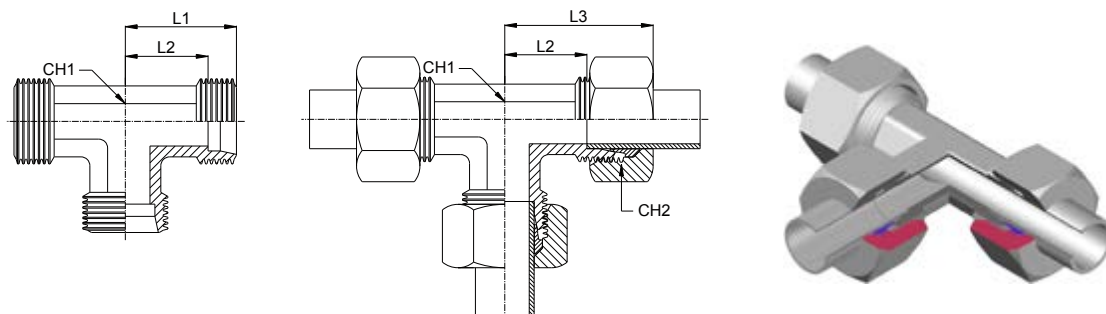
\*Raccord seul, les bagues et écrous sont à commander séparément.

**Coude égal mâle DIN (nu)**



DIN Série	Pression de service (bar)	Code*	Ø Ext. Tube	L1	L2	L3	CH1	CH2
L	630	64.041.099L006	6	19,0	12,0	27,0	12	14
		64.041.099L008	8	21,0	14,0	29,0	12	17
		64.041.099L010	10	22,0	15,0	30,0	14	19
	450	64.041.099L012	12	24,0	17,0	32,0	17	22
		64.041.099L015	15	28,0	21,0	36,0	19	27
		64.041.099L018	18	31,0	23,5	40,0	24	32
	300	64.041.099L022	22	35,0	27,5	44,0	27	36
		64.041.099L028	28	38,0	30,5	47,0	36	41
		64.041.099L035	35	45,0	34,5	56,0	41	50
64.041.099L042		42	51,0	40,0	63,0	50	60	
S	900	64.041.099S006	6	23,0	16,0	31,0	12	17
		64.041.099S008	8	24,0	17,0	32,0	14	19
	800	64.041.099S010	10	25,0	17,5	34,0	17	22
	700	64.041.099S012	12	29,0	21,5	38,0	17	24
		64.041.099S014	14	30,0	22,0	40,0	19	27
	650	64.041.099S016	16	33,0	24,5	43,0	24	30
	420	64.041.099S020	20	37,0	26,5	48,0	27	36
		64.041.099S025	25	42,0	30,0	54,0	36	46
		64.041.099S030	30	49,0	35,5	62,0	41	50
64.041.099S038		38	57,0	41,0	72,0	50	60	

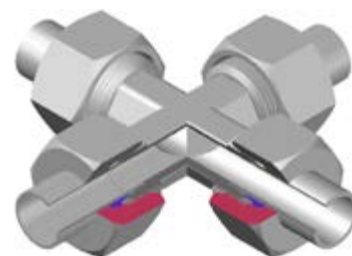
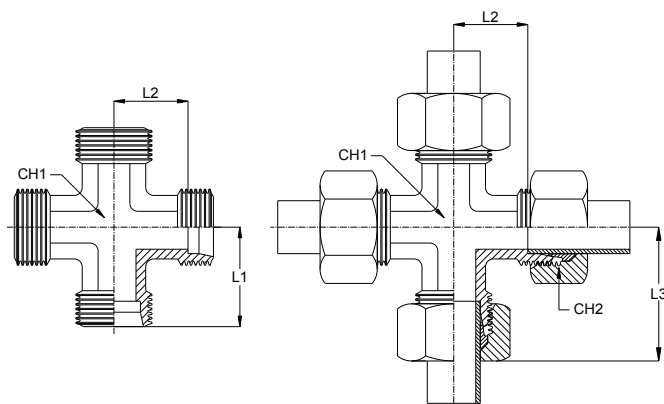
\*Raccord seul, les bagues et écrous sont à commander séparément.



DIN Série	Pression de service (bar)	Code*	Ø Ext. Tube	L1	L2	L3	CH1	CH2
L	630	64.041.100L006	6	19,0	12,0	27,0	12	14
		64.041.100L008	8	21,0	14,0	29,0	12	17
		64.041.100L010	10	22,0	15,0	30,0	14	19
	450	64.041.100L012	12	24,0	17,0	32,0	17	22
		64.041.100L015	15	28,0	21,0	36,0	19	27
		64.041.100L018	18	31,0	23,5	40,0	24	32
	300	64.041.100L022	22	35,0	27,5	44,0	27	36
		64.041.100L028	28	38,0	30,5	47,0	36	41
64.041.100L035		35	45,0	34,5	56,0	41	50	
		64.041.100L042	42	51,0	40,0	63,0	50	60
S	900	64.041.100S006	6	23,0	16,0	31,0	12	17
		64.041.100S008	8	24,0	17,0	32,0	14	19
	800	64.041.100S010	10	25,0	17,5	34,0	17	22
	700	64.041.100S012	12	29,0	21,5	38,0	17	24
		64.041.100S014	14	30,0	22,0	40,0	19	27
	650	64.041.100S016	16	33,0	24,5	43,0	24	30
	420	64.041.100S020	20	37,0	26,5	48,0	27	36
		64.041.100S025	25	42,0	30,0	54,0	36	46
		64.041.100S030	30	49,0	35,5	62,0	41	50
		64.041.100S038	38	57,0	41,0	72,0	50	60

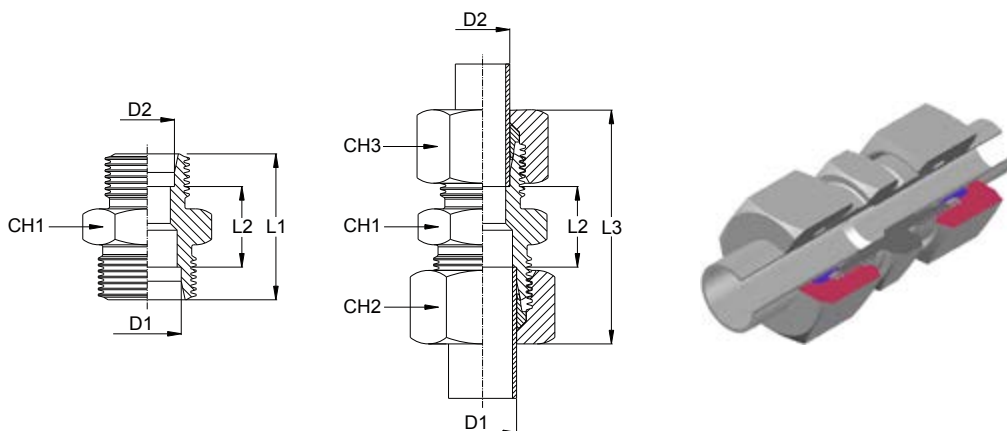
\*Raccord seul, les bagues et écrous sont à commander séparément.

**Croix égale mâle DIN (nue)**



DIN Série	Pression de service (bar)	Code*	Ø Ext. Tube	L1	L2	L3	CH1	CH2
L	315	64.041.101L006	6	19,0	12,0	27,0	12	14
		64.041.101L008	8	21,0	14,0	29,0	12	17
		64.041.101L010	10	22,0	15,0	30,0	14	19
		64.041.101L012	12	24,0	17,0	32,0	17	22
		64.041.101L015	15	28,0	21,0	36,0	19	27
	64.041.101L018	18	31,0	23,5	40,0	24	32	
	160	64.041.101L022	22	35,0	27,5	44,0	27	36
		64.041.101L028	28	38,0	30,5	47,0	36	41
64.041.101L035		35	45,0	34,5	56,0	41	50	
S	630	64.041.101S006	6	23,0	16,0	31,0	12	17
		64.041.101S008	8	24,0	17,0	32,0	14	19
		64.041.101S010	10	25,0	17,5	34,0	17	22
		64.041.101S012	12	29,0	21,5	38,0	17	24
		64.041.101S014	14	30,0	22,0	40,0	19	27
	400	64.041.101S016	16	33,0	24,5	43,0	24	30
		64.041.101S020	20	37,0	26,5	48,0	27	36
		64.041.101S025	25	42,0	30,0	54,0	36	46
		64.041.101S030	30	49,0	35,5	62,0	41	50
	315	64.041.101S038	38	57,0	41,0	72,0	50	60

\*Raccord seul, les bagues et écrous sont à commander séparément.

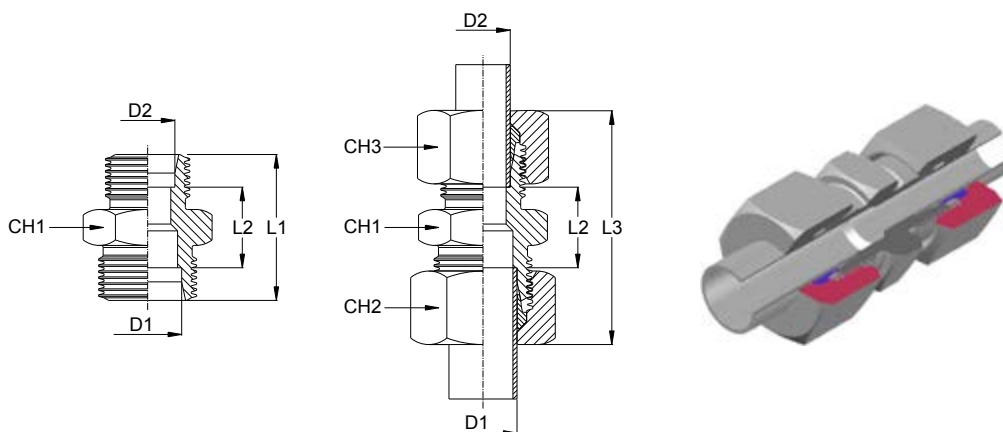


DIN Série	Pression de service (bar)	Code*	D1	D2	L1	L2	L3	CH1	CH2	CH3
L	630	64.041.098SL00806	8	6	25,0	11,0	40,5	14	17	14
		64.041.098SL01006	10	6	26,0	12,0	41,5	17	19	14
		64.041.098SL01008	10	8	26,0	12,0	42,0	17	19	17
	450	64.041.098SL01206	12	6	27,0	13,0	42,0	19	22	14
		64.041.098SL01208	12	8	27,0	13,0	42,5	19	22	17
		64.041.098SL01210	12	10	28,0	14,0	43,5	19	22	19
		64.041.098SL01208	15	6	28,0	14,0	50,5	24	14	27
		64.041.098SL01508	15	8	28,0	14,0	50,5	24	17	27
		64.041.098SL01510	15	10	29,0	15,0	45,0	24	27	19
		64.041.098SL01512	15	12	29,0	15,0	44,5	24	27	22
		64.041.098SL01808	18	8	29,0	14,5	52,0	27	27	32
		64.041.098SL01810	18	10	30,0	15,5	47,0	27	32	19
		64.041.098SL01812	18	12	30,0	15,5	46,5	27	32	22
	64.041.098SL01815	18	15	31,0	16,5	48,0	27	32	27	
	300	64.041.098SL02208	22	8	32,0	17,5	56,5	32	17	36
		64.041.098SL02210	22	10	32,0	17,5	57	32	19	36
		64.041.098SL02212	22	12	32,0	17,5	48,5	32	36	22
		64.041.098SL02215	22	15	33	18,5	50,0	32	36	27
		64.041.098SL02218	22	18	33	18,0	51,0	32	36	32
		64.041.098SL02810	28	10	35,0	20,5	60,0	41	19	41
		64.041.098SL02812	28	12	33,5	19,0	60,0	41	22	41
		64.041.098SL02815	28	15	33,5	19,0	62,5	41	27	41
		64.041.098SL02818	28	18	34,0	19,0	52,0	41	41	32
		64.041.098SL02822	28	22	36,0	21,0	54,0	41	41	36
		64.041.098SL03515	35	15	-	-	-	46	27	50
		64.041.098SL03518	35	18	37,0	19,0	66,5	46	32	50
		64.041.098SL03522	35	22	39,0	21,0	59,0	46	50	36
		64.041.098SL03528	35	28	39,0	21,0	59,0	46	50	41
		64.041.098SL04215	42	15	-	-	-	55	27	60
	64.041.098SL04218	42	18	-	-	-	55	32	60	
	64.041.098SL04222	42	22	41,0	22,5	70,5	55	36	60	
	64.041.098SL04228	42	28	41,0	22,5	71,0	55	41	60	
	64.041.098SL04235	42	35	43,0	21,5	75,0	55	50	60	

\*Raccord seul, les bagues et écrous sont à commander séparément.

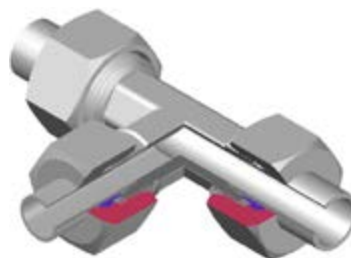
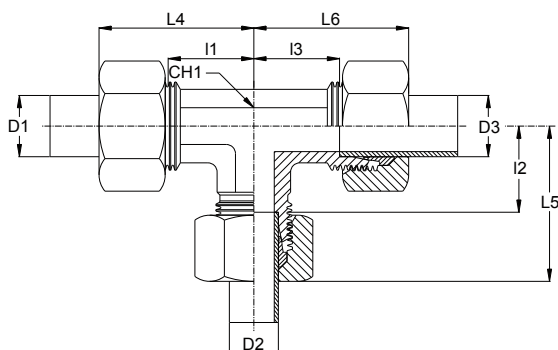
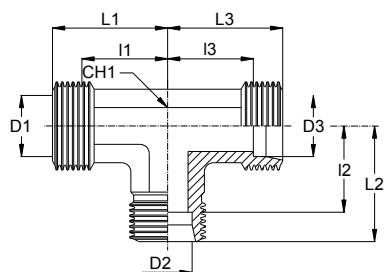
# RACCORDS ET ADAPTEURS INOX DIN 2353 - Iso 8434-1

## Union double de réduction mâle DIN S (nue)



DIN Série	Pression de service (bar)	Code*	Ø Ext. Tube		L1	L2	L3	CH1	CH2	CH3
			D1	D2						
S	800	64.041.098SS00806	8	6	32,0	18,0	48,0	17	19	17
		64.041.098SS01006	10	6	32,0	17,5	48,5	19	22	17
		64.041.098SS01008	10	8	32,0	17,5	48,5	19	22	19
	700	64.041.098SS01206	12	6	34,0	19,5	50,5	22	24	17
		64.041.098SS01208	12	8	34,0	19,5	50,5	22	24	19
		64.041.098SS01210	12	10	34,0	19,0	51,0	22	24	22
		64.041.098SS01406	14	6	-	-	-	24	17	27
		64.041.098SS01408	14	8	-	-	-	24	19	27
		64.041.098SS01410	14	10	36,0	20,5	54,5	24	27	22
		64.041.098SS01412	14	12	36,0	20,5	54,5	24	27	24
	650	64.041.098SS01606	16	6	35,5	20,0	59,5	27	17	30
		64.041.098SS01608	16	8	35,5	20,0	59,5	27	19	30
		64.041.098SS01610	16	10	36,0	20,0	60,5	27	22	30
		64.041.098SS01612	16	12	36,0	20,0	54,5	27	30	24
	420	64.041.098SS01614	16	14	38,0	21,5	58,0	27	30	27
		64.041.098SS02006	20	6	41,0	23,5	64,5	32	17	36
		64.041.098SS02008	20	8	38,5	21,0	64,5	32	19	36
		64.041.098SS02010	20	10	40,0	22,0	59,5	32	36	22
		64.041.098SS02012	20	12	40,0	22,0	59,5	32	36	24
		64.041.098SS02014	20	14	41,5	23,0	68,5	32	27	36
		64.041.098SS02016	20	16	42,0	23,0	63,0	32	36	30
		64.041.098SS02506	25	6	-	-	-	41	17	46
		64.041.098SS02508	25	8	45,5	26,5	71,5	41	19	46
		64.041.098SS02510	25	10	47,0	27,5	72,5	41	22	46
		64.041.098SS02512	25	12	43,5	24,0	72,5	41	24	46
		64.041.098SS02514	25	14	46,5	26,5	74,5	41	27	46
		64.041.098SS02516	25	16	46,0	25,5	68,0	41	46	30
		64.041.098SS02520	25	20	48,0	25,5	71,0	41	46	36
		64.041.098SS03010	30	10	-	-	-	46	22	50
		64.041.098SS03012	30	12	48,0	27,0	74,5	46	24	50
		64.041.098SS03014	30	14	-	-	-	46	27	50
		64.041.098SS03016	30	16	48,0	26,0	78,5	46	30	50
		64.041.098SS03020	30	20	50,0	26,0	74,0	46	50	36
		64.041.098SS03025	30	25	52,0	26,5	77,0	46	50	46
	64.041.098SS03810	38	10	-	-	-	55	22	60	
	64.041.098SS03812	38	12	-	-	-	55	24	60	
	64.041.098SS03814	38	14	-	-	-	55	27	60	
	64.041.098SS03816	38	16	50,5	26,0	85,0	55	30	60	
	64.041.098SS03820	38	20	54,5	28,0	88,0	55	36	60	
	64.041.098SS03825	38	25	57,0	29,0	94,0	55	46	60	
64.041.098SS03830	38	30	59,0	29,5	87,0	55	60	50		

\*Raccord seul, les bagues et écrous sont à commander séparément.

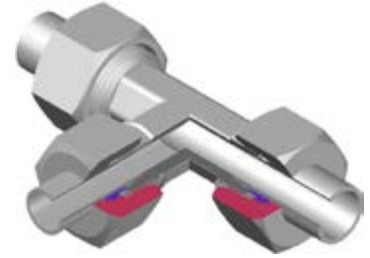
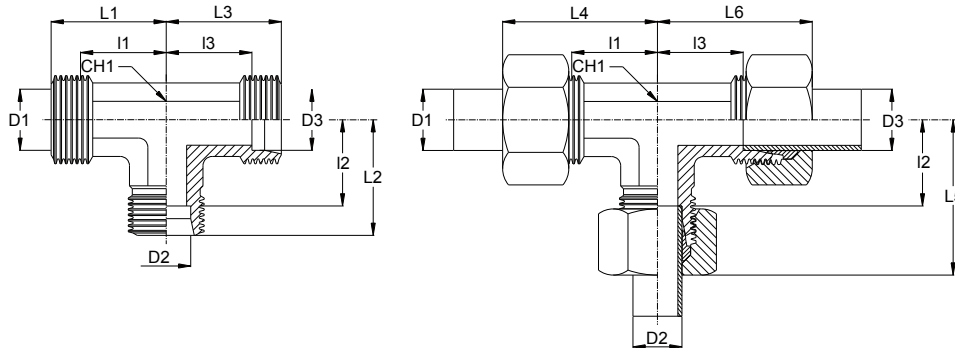


DIN Série	Pression de service (bar)	Code*	Ø Ext. Tube			L1	L2	L3	L4	L5	L6	I1	I2	I3	CH1	
			D1	D2	D3											
L	630	64.041.100RL060806	6	8	6	21,0	21,0	21,0	29,0	29,0	29,0	14,0	14,0	14,0	12	
		64.041.100RL080608	8	6	8	21,0	21,0	21,0	29,0	29,0	29,0	14,0	14,0	14,0	12	
		64.041.100RL061006	6	10	6	21,0	22,0	21,0	29,0	30,0	29,0	14,0	15,0	14,0	14	
		64.041.100RL081008	8	10	8	21,0	22,0	21,0	29,0	30,0	29,0	14,0	15,0	14,0	14	
		64.041.100RL100610	10	6	10	22,0	21,0	22,0	30,0	29,0	30,0	15,0	14,0	15,0	14	
		64.041.100RL100810	10	8	10	22,0	21,0	22,0	30,0	29,0	30,0	15,0	14,0	15,0	14	
	450	64.041.100RL101006	10	10	6	22,0	22,0	21,0	30,0	30,0	29,0	15,0	15,0	14,0	14	
		64.041.100RL081208	8	12	8	23,0	24,0	23,0	31,0	32,0	31,0	16,0	17,0	16,0	17	
		64.041.100RL120612	12	6	12	24,0	23,0	24,0	32,0	31,0	32,0	17,0	16,0	17,0	17	
		64.041.100RL120808	12	8	8	24,0	23,0	23,0	32,0	31,0	31,0	17,0	16,0	16,0	17	
		64.041.100RL120812	12	8	12	24,0	23,0	24,0	32,0	31,0	32,0	17,0	16,0	17,0	17	
		64.041.100RL121010	12	10	10	24,0	24,0	24,0	32,0	32,0	32,0	17,0	17,0	17,0	17	
		64.041.100RL121012	12	10	12	24,0	24,0	24,0	32,0	32,0	32,0	17,0	17,0	17,0	17	
		64.041.100RL121210	12	12	10	24,0	24,0	24,0	32,0	32,0	32,0	17,0	17,0	17,0	17	
		64.041.100RL101510	10	15	10	27,0	28,0	27,0	35,0	36,0	35,0	20,0	21,0	20,0	19	
		64.041.100RL121512	12	15	12	27,0	28,0	27,0	35,0	36,0	35,0	20,0	21,0	20,0	19	
		64.041.100RL150615	15	6	15	28,0	25,0	28,0	36,0	33,0	36,0	21,0	18,0	21,0	19	
		64.041.100RL151015	15	10	15	28,0	27,0	28,0	36,0	35,0	36,0	21,0	20,0	21,0	19	
		64.041.100RL151212	15	12	12	28,0	27,0	27,0	36,0	35,0	35,0	21,0	20,0	20,0	19	
		64.041.100RL151215	15	12	15	28,0	27,0	28,0	36,0	35,0	36,0	21,0	20,0	21,0	19	
		64.041.100RL151512	15	15	12	28,0	28,0	27,0	36,0	36,0	35,0	21,0	21,0	20,0	19	
		64.041.100RL121812	12	18	12	30,0	31,0	30,0	38,0	40,0	38,0	23,0	23,5	23,0	24	
		64.041.100RL181010	18	10	10	31,0	30,0	30,0	40,0	38,0	38,0	23,5	23,0	23,0	24	
		64.041.100RL181018	18	10	18	31,0	30,0	31,0	40,0	38,0	40,0	23,5	23,0	23,5	24	
		64.041.100RL181218	18	12	18	31,0	30,0	31,0	40,0	38,0	40,0	23,5	23,0	23,5	24	
		64.041.100RL181518	18	15	18	31,0	31,0	31,0	40,0	39,0	40,0	23,5	24,0	23,5	24	
		64.041.100RL181810	18	18	10	31,0	31,0	30,0	40,0	40,0	38,0	23,5	23,5	23,0	24	
		300	64.041.100RL221022	22	10	22	35,0	33,0	35,0	44,0	41,0	44,0	27,5	26,0	27,5	27
			64.041.100RL221222	22	12	22	35,0	33,0	35,0	44,0	41,0	44,0	27,5	26,0	27,5	27
			64.041.100RL221515	22	15	15	35,0	34,0	34,0	44,0	42,0	42,0	27,5	27,0	27,0	27
			64.041.100RL221818	22	15	22	35,0	34,0	35,0	44,0	42,0	44,0	27,5	27,0	27,5	27
			64.041.100RL221522	22	18	18	35,0	34,0	34,0	44,0	43,0	43,0	27,5	26,5	26,5	27
			64.041.100RL221822	22	18	22	35,0	34,0	35,0	44,0	43,0	44,0	27,5	26,5	27,5	27
			64.041.100RL222218	22	22	18	35,0	35,0	34,0	44,0	44,0	43,0	27,5	27,5	26,5	27
			64.041.100RL281028	28	10	28	38,0	36,0	38,0	47,0	44,0	47,0	30,5	29,0	30,5	36
			64.041.100RL281228	28	12	28	38,0	36,0	38,0	47,0	44,0	47,0	30,5	29,0	30,5	36
			64.041.100RL281528	28	15	28	38,0	37,0	38,0	47,0	45,0	47,0	30,5	30,0	30,5	36
			64.041.100RL281828	28	18	28	38,0	37,0	38,0	47,0	46,0	47,0	30,5	29,5	30,5	36
			64.041.100RL282222	28	22	22	38,0	38,0	38,0	47,0	47,0	47,0	30,5	30,5	30,5	36
			64.041.100RL282228	28	22	28	38,0	38,0	38,0	47,0	47,0	47,0	30,5	30,5	30,5	36

\*Raccord seul, les bagues et écrous sont à commander séparément.



**Té de réduction mâle DIN S (nu)**

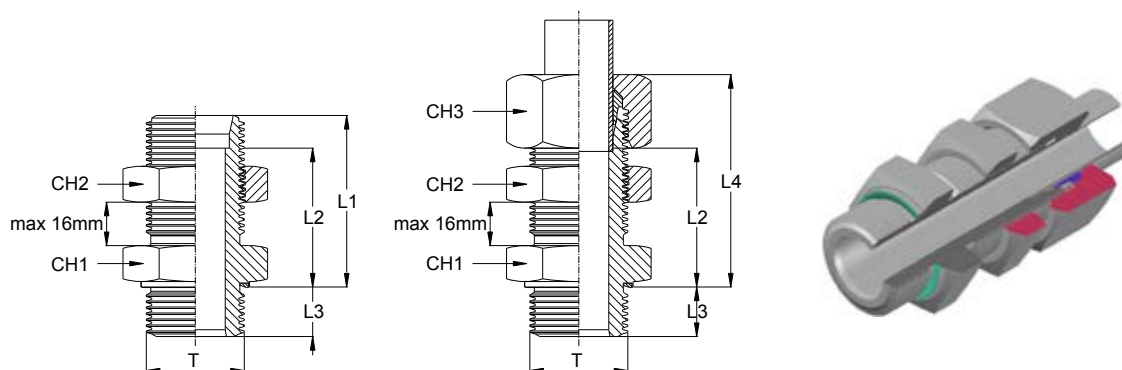


DIN Série	Pression de service (bar)	Code*	Ø Ext. Tube			L1	L2	L3	L4	L5	L6	I1	I2	I3	CH1
			D1	D2	D3										
S	800	64.041.100RS100610	10	6	10	25,0	25,0	25,0	34,0	33,0	34,0	17,5	18,0	17,5	17
		64.041.100RS120808	12	8	8	29,0	25,0	25,0	38,0	33,0	33,0	21,5	18,0	18,0	19
		64.041.100RS120812	12	8	12	29,0	25,0	29,0	38,0	33,0	38,0	21,5	18,0	21,5	19
		64.041.100RS121012	12	10	12	29,0	25,0	29,0	38,0	34,0	38,0	21,5	17,5	21,5	19
	650	64.041.100RS121612	12	16	12	31,0	33,0	31,0	40,0	43,0	40,0	23,5	24,5	23,5	24
		64.041.100RS160616	16	6	16	33,0	31,0	33,0	43,0	39,0	43,0	24,5	24,0	24,5	24
		64.041.100RS160816	16	8	16	33,0	31,0	33,0	43,0	39,0	43,0	24,5	24,0	24,5	24
		64.041.100RS161016	16	10	16	33,0	31,0	33,0	43,0	40,0	43,0	24,5	23,5	24,5	24
		64.041.100RS161216	16	12	16	33,0	31,0	33,0	43,0	40,0	43,0	24,5	23,5	24,5	24
		64.041.100RS162016	16	20	16	36,0	37,0	36,0	46,0	48,0	46,0	27,5	26,5	27,5	27
	420	64.041.100RS201020	20	10	20	37,0	34,0	37,0	48,0	43,0	48,0	26,5	26,5	26,5	27
		64.041.100RS201220	20	12	20	37,0	34,0	37,0	48,0	43,0	48,0	26,5	26,5	26,5	27
		64.041.100RS201620	20	16	20	37,0	36,0	37,0	48,0	46,0	48,0	26,5	27,5	26,5	27
		64.041.100RS202520	20	25	20	40,0	42,0	40,0	51,0	54,0	51,0	29,5	30,0	29,5	36
		64.041.100RS251625	25	16	25	42,0	39,0	42,0	54,0	49,0	54,0	30,0	30,5	30,0	36
		64.041.100RS252025	25	20	25	42,0	40,0	42,0	54,0	51,0	54,0	30,0	29,5	30,0	36
		64.041.100RS253025	25	30	25	47,0	49,0	47,0	59,0	62,0	59,0	35,0	35,5	35,0	41

\*Raccord seul, les bagues et écrous sont à commander séparément.



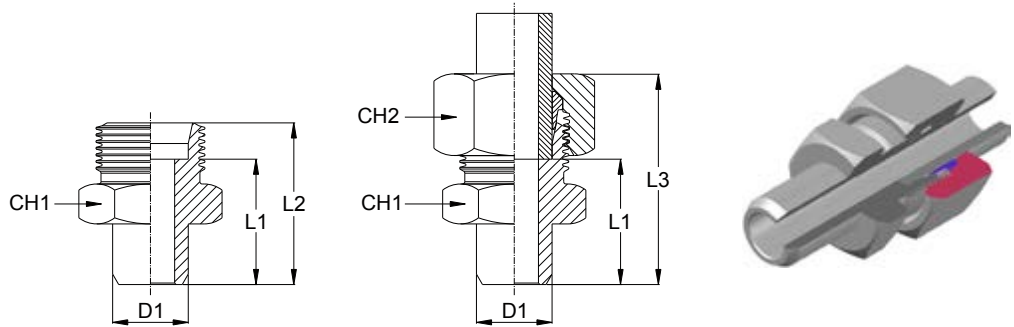
RACCORDS ET ADAPTEURS INOX **DIN 2353** - Iso 8434-1  
**Passer cloison mâle DIN x mâle BSP joint encastré et contre-écrou (nu)**



DIN Série	Pression de service (bar)	Code*	Ø Ext. Tube	Filetage contre-écrou	Filetage T	L1	L2	L3	L4	CH1	CH2	CH3
L	315	66.121.3006L02	6	12x1,5	1/8"	39,5	32,5	8,0	47,5	17	17	14
		66.121.3008L04	8	14x1,5	1/4"	41,0	34,0	12,0	49,0	19	19	17
		66.121.3010L04	10	16x1,5	1/4"	43,0	36,0	12,0	51,0	22	22	19
		66.121.3012L06	12	18x1,5	3/8"	44,5	37,5	12,0	52,5	24	24	22
		66.121.3015L08	15	22x1,5	1/2"	48,0	41,0	14,0	56,0	27	30	27
	66.121.3018L08	18	26x1,5	1/2"	52,0	44,5	14,0	61,0	32	36	32	
	66.121.3022L12	22	30x2,0	3/4"	55,0	47,5	16,0	64,0	36	41	36	
	66.121.3028L16	28	36x2,0	1"	58,0	50,5	18,0	67,0	41	46	41	
	66.121.3035L20	35	45x2,0	1,1/4"	63,0	52,5	20,0	74,0	50	55	50	
	66.121.3042L24	42	52x2,0	1,1/2"	64,0	53,0	22,0	76,0	60	65	60	
S	630	66.121.3006S04	6	14x1,5	1/4"	45,0	38,0	12,0	53,0	19	19	17
		66.121.3008S04	8	16x1,5	1/4"	46,0	39,0	12,0	54,0	22	22	19
		66.121.3010S06	10	18x1,5	3/8"	49,0	41,5	12,0	58,0	24	24	22
		66.121.3012S06	12	20x1,5	3/8"	50,0	42,5	12,0	59,0	27	27	24
		66.121.3014S08	14	22x1,5	1/2"	54,0	46,0	14,0	64,0	30	30	27
	66.121.3016S08	16	24x1,5	1/2"	54,0	45,5	14,0	64,0	32	32	30	
	66.121.3020S12	20	30x2,0	3/4"	59,0	48,5	16,0	72,0	41	41	36	
	66.121.3025S16	25	36x2,0	1"	64,0	52,0	18,0	76,0	46	46	46	
	66.121.3030S20	30	42x2,0	1,1/4"	69,0	55,5	20,0	82,0	50	50	50	
	66.121.3038S24	38	52x2,0	1,1/2"	72,0	56,0	22,0	87,0	60	65	60	

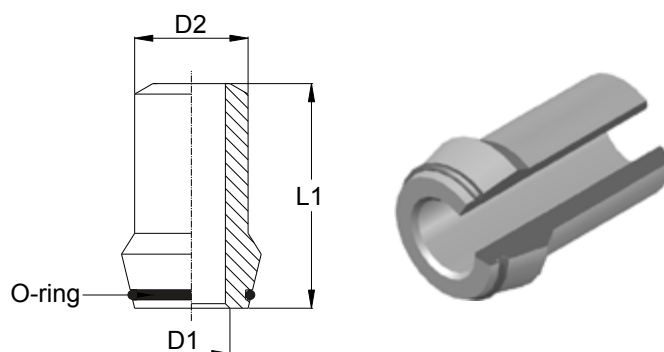
\*Raccord seul, les bagues et écrous sont à commander séparément.

**Union mâle DIN à souder (nue)**

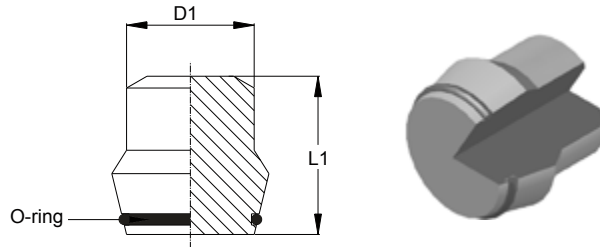


DIN Série	Pression de service (bar)	Code*	Ø Ext. Tube	D1	L1	L2	L3	CH1	CH2
L	630	64.041.091L006	6	10,0	14,0	21,0	29,0	14	14
		64.041.091L008	8	12,0	16,0	23,0	31,0	14	17
		64.041.091L010	10	14,0	18,0	25,0	33,0	17	19
	450	64.041.091L012	12	16,0	18,0	25,0	33,0	19	22
		64.041.091L015	15	19,0	22,0	29,0	37,0	22	27
		64.041.091L018	18	22,0	23,5	31,0	40,0	27	32
	300	64.041.091L022	22	27,0	28,5	36,0	45,0	32	36
		64.041.091L028	28	32,0	30,5	38,0	47,0	41	41
		64.041.091L035	35	40,0	32,5	43,0	54,0	46	50
	S	900	64.041.091S006	6	11,0	19,0	26,0	34,0	14
64.041.091S008			8	13,0	21,0	28,0	36,0	17	19
800		64.041.091S010	10	15,0	22,5	30,0	39,0	19	22
700		64.041.091S012	12	17,0	24,5	32,0	41,0	22	24
		64.041.091S014	14	19,0	27,0	35,0	45,0	24	27
650		64.041.091S016	16	21,0	26,5	35,0	45,0	27	30
420		64.041.091S020	20	26,0	29,5	40,0	51,0	32	36
		64.041.091S025	25	31,0	32,0	44,0	56,0	41	46
		64.041.091S030	30	36,0	35,5	49,0	62,0	46	50
		64.041.091S038	38	44,0	38,0	54,0	69,0	55	60

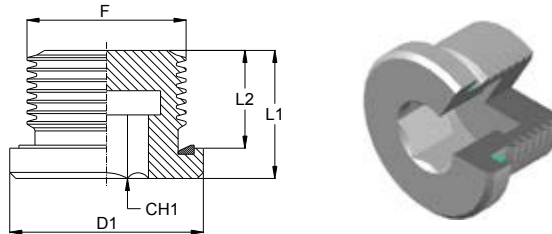
\*Raccord seul, les bagues et écrous sont à commander séparément.



DIN Série	Pression de service (bar)	Code*	Epaisseur	Ø Ext. Tube	D1	D2	L1
L/S	630	64.041.299L062.5	6x1,75	6	2,5	6,0	31,0
		64.041.299L0804	8x2,00	8	4,0	8,0	31,0
		64.041.299L1207	12x2,50	12	7,0	12,0	32,5
	400	64.041.299L1006	10x2,00	10	6,0	10,0	32,5
		64.041.299L1208	12x2,00	12	8,0	12,0	32,5
		64.041.299L1007	10x1,50	10	7,0	10,0	32,5
L	315	64.041.299L1209	12x1,50	12	9,0	12,0	32,5
		64.041.299L1510	15x2,50	15	10,0	15,0	34,0
	160	64.041.299L1813	18x2,50	18	13,0	18,0	35,5
		64.041.299L2217	22x2,50	22	17,0	22,0	38,5
		64.041.299L2823	28x2,50	28	23,0	28,0	41,5
		64.041.299L3529	35x3,00	35	29,0	35,0	47,5
S	400	64.041.299L4236	42x3,00	42	36,0	42,0	47,5
		64.041.299S1408	14x3,00	14	8,0	14,0	38,5
		64.041.299S1610	16x3,00	16	10,0	16,0	39,0
		64.041.299S2012	20x4,00	20	12,0	20,0	45,0
	315	64.041.299S2515	25x5,00	25	15,0	25,0	49,5
		64.041.299S1611	16x2,50	16	11,0	16,0	39,0
		64.041.299S2014	20x3,00	20	14,0	20,0	45,0
		64.041.299S2517	25x4,00	25	17,0	25,0	49,5
		64.041.299S3020	30x5,00	30	20,0	30,0	52,0
		64.041.299S3018	30x6,00	30	18,0	30,0	52,0
		64.041.299S3826	38x6,00	38	26,0	38,0	56,5
		64.041.299S3822	38x8,00	38	22,0	38,0	56,5
	250	64.041.299S1612	16x2,00	16	12,0	16,0	39,0
		64.041.299S2015	20x2,50	20	15,0	20,0	45,0
		64.041.299S2519	25x3,00	25	19,0	25,0	49,5
		64.041.299S3022	30x4,00	30	22,0	30,0	52,0
	160	64.041.299S3828	38x5,00	38	28,0	38,0	56,5
		64.041.299S3024	30x3,00	30	24,0	30,0	52,0
		64.041.299S3832	38x3,00	38	32,0	38,0	56,5

**Obturbateur DIN avec joint O-ring**

DIN Série	Pression de service (bar)	Code*	Ø Ext. Tube	D1	L1
L	630	64.041.324L006	6	6,0	17,0
		64.041.324L008	8	8,0	17,0
		64.041.324L010	10	10,0	20,0
	450	64.041.324L012	12	12,0	21,0
		64.041.324L015	15	15,0	21,0
		64.041.324L018	18	18,0	23,0
	300	64.041.324L022	22	22,0	23,0
		64.041.324L028	28	28,0	25,0
		64.041.324L035	35	35,0	29,0
		64.041.324L042	42	42,0	30,0
S	900	64.041.324S006	6	6,0	17,0
		64.041.324S008	8	8,0	17,0
	800	64.041.324S010	10	10,0	20,0
		64.041.324S012	12	12,0	21,0
	700	64.041.324S014	14	14,0	23,0
		64.041.324S016	16	16,0	24,0
	650	64.041.324S020	20	20,0	28,0
		64.041.324S025	25	25,0	31,0
		64.041.324S030	30	30,0	34,0
		64.041.324S038	38	38,0	38,0



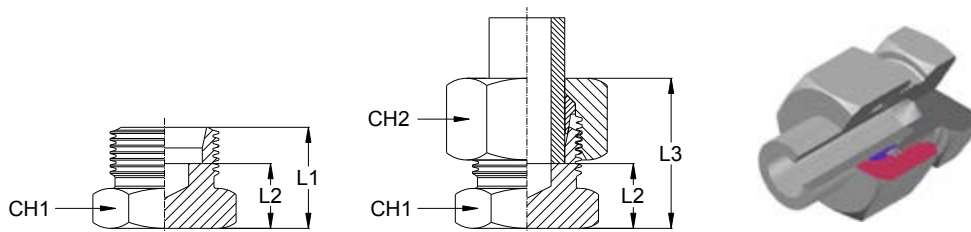
### Filetages Gaz cylindrique

DIN Série	Pression de service (bar)	Code	Filetage F	D1	L1	L2	CH1
S	400	64.041.185GGR02	1/8"	14,0	12,0	8,0	5
		64.041.185GGR04	1/4"	19,0	17,0	12,0	6
		64.041.185GGR06	3/8"	22,0	17,0	12,0	8
		64.041.185GGR08	1/2"	27,0	19,0	14,0	10
		64.041.185GGR12	3/4"	32,0	21,0	16,0	12
	64.041.185GGR16	1"	40,0	22,5	16,0	17	
	250	64.041.185GGR20	1"1/4	50,0	22,5	16,0	22
		64.041.185GGR24	1"1/2	55,0	22,5	16,0	24

### Filetages mètriques

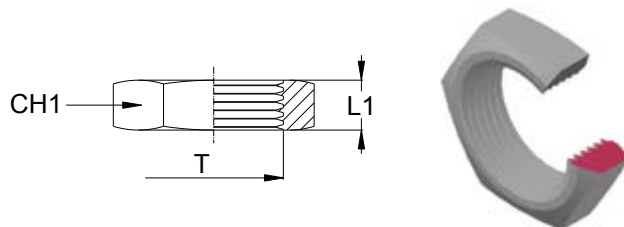
DIN Série	Pression de service (bar)	Code	Filetage F	D1	L1	L2	CH1
S	400	64.041.185GGM10X1	10x1,0	14,0	12,0	8,0	5
		64.041.185GGM12X15	12x1,5	17,0	17,0	12,0	6
		64.041.185GGM14X15	14x1,5	19,0	17,0	12,0	6
		64.041.185GGM16X15	16x1,5	22,0	17,0	12,0	8
		64.040.185GGM18X15	18x1,5	24,0	17,0	12,0	8
		64.041.185GGM20X15	20x1,5	26,0	19,0	14,0	10
		64.041.185GGM22X15	22x1,5	27,0	19,0	14,0	10
		64.041.185GGM26X15	26x1,5	32,0	21,0	16,0	12
		64.041.185GGM27X2	27x2,0	32,0	21,0	16,0	12
	64.041.185GGM33X2	33x2,0	40,0	22,5	16,0	17	
	250	64.041.185GGM42X2	42x2,0	50,0	22,5	16,0	22
		64.041.185GGM48X2	48x2,0	55,0	22,5	16,0	24

## Bouchon hexagonal mâle DIN



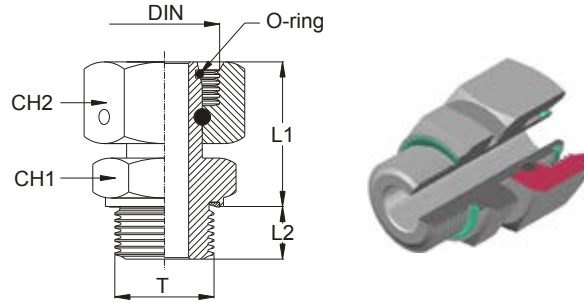
DIN Série	Pression de service (bar)	Code*	Ø Ext. Tube	L1	L2	L3	CH1	CH2
L	630	64.041.296L006	6	14,0	7,0	21,5	14	14
		64.041.296L008	8	15,0	8,0	23,0	14	17
		64.041.296L010	10	16,0	9,0	24,0	17	19
	450	64.041.296L012	12	17,0	10,0	24,5	19	22
		64.041.296L015	15	18,0	11,0	26,0	24	27
		64.041.296L018	18	19,0	11,5	28,0	27	32
	300	64.041.296L022	22	21,0	13,5	30,0	32	36
		64.041.296L028	28	22,0	14,5	31,0	41	41
		64.041.296L035	35	25,0	14,5	36,0	46	50
64.041.296L042		42	27,0	16,0	39,0	55	60	
S	900	64.041.296S006	6	18,0	11,0	26,0	14	17
		64.041.296S008	8	20,0	13,0	28,0	17	19
	800	64.041.296S010	10	20,0	12,5	28,5	19	22
		64.041.296S012	12	22,0	14,5	30,5	22	24
	700	64.041.296S014	14	24,0	16,0	34,0	24	27
		64.041.296S016	16	24,0	15,5	34,0	27	30
	650	64.041.296S020	20	28,0	17,5	39,0	32	36
		64.041.296S025	25	32,0	20,0	44,0	41	46
		64.041.296S030	30	34,0	20,5	47,0	46	50
64.041.296S038		38	39,0	23,0	54,0	55	60	

\*Raccord seul, les bagues et écrous sont à commander séparément.



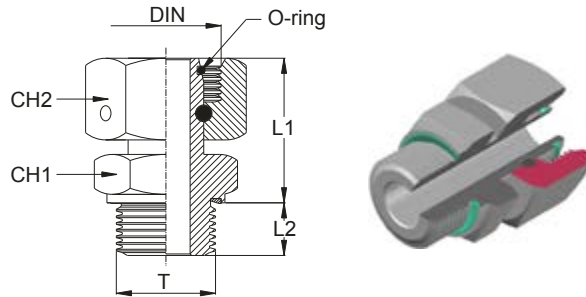
DIN Série	Code	Filetage T	Ø Ext. Tube	L1	CH1
L/S	64.041.102118L006	12x1,5	6L	6,0	17
	64.041.102118L008	14x1,5	8L-6S	6,0	19
	64.041.102118L010	16x1,5	10L-8S	6,0	22
	64.041.102118L012	18x1,5	12L-10S	6,0	24
	64.041.102118S012	20x1,5	12S	6,0	27
	64.041.102118L015	22x1,5	15L-14S	7,0	30
	64.041.102118S016	24x1,5	16S	7,0	32
	64.041.102118L018	26x1,5	18L	8,0	36
	64.041.102118L022	30x2,0	22L-20S	8,0	41
	64.041.102118L028	36x2,0	28L-25S	9,0	46
	64.041.102118S030	42x2,0	30S	9,0	50
	64.041.102118L035	45x2,0	35L	9,0	55
	64.041.102118L042	52x2,0	42L-38S	10,0	65

## Adapteur **DIN** écrou tournant à jonc x mâle **BSP** avec joint encastré

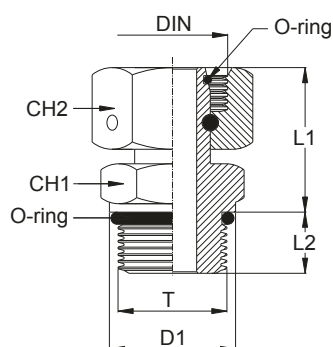


DIN Série	Pression de service (bar)	Code	Ø Ext. Tube	Filetage DIN	Filetage T	L1	L2	CH1	CH2
L	630	64.041.426GRL006	6	12x1,5	1/8"	24,0	8,0	14	14
		64.041.426GRL008	8	14x1,5	1/4"	27,0	12,0	19	17
		64.041.426GRL010	10	16x1,5	1/4"	25,5	12,0	19	19
	450	64.041.426GRL012	12	18x1,5	3/8"	32,0	12,0	22	22
		64.041.426GRL015	15	22x1,5	1/2"	30,0	14,0	27	27
		64.041.426GRL018	18	26x1,5	1/2"	29,0	14,0	27	32
	300	64.041.426GRL022	22	30x2,0	3/4"	35,5	16,0	32	36
		64.041.426GRL028	28	36x2,0	1"	32,5	18,0	41	41
		64.041.426GRL035	35	45x2,0	1"1/4	38,1	20,0	50	50
64.041.426GRL042		42	52x2,0	1"1/2	41,6	22,0	55	60	
S	900	64.041.426GRS006	6	14x1,5	1/4"	24,5	12,0	19	17
		64.041.426GRS008	8	16x1,5	1/4"	27,0	12,0	19	19
	700	64.041.426GRS010	10	18x1,5	3/8"	29,5	12,0	22	22
		64.041.426GRS012	12	20x1,5	3/8"	31,5	12,0	22	24
		64.041.426GRS014	14	22x1,5	1/2"	33,5	14,0	27	27
	420	64.041.426GRS016	16	24x1,5	1/2"	33,5	14,0	27	30
		64.041.426GRS020	20	30x2,0	3/4"	39,0	16,0	32	36
		64.041.426GRS025	25	36x2,0	1"	42,5	18,0	41	46
		64.041.426GRS030	30	42x2,0	1"1/4	44,1	20,0	50	50
64.041.426GRS038		38	52x2,0	1"1/2	50,5	22,0	55	60	



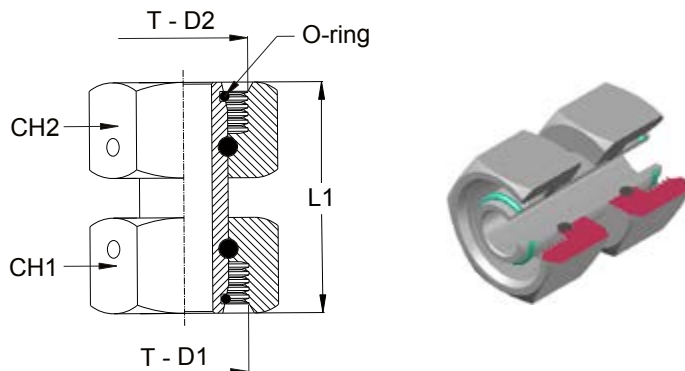
**Adapteur DIN écrou tournant à jonc x mâle métrique avec joint encastré**

DIN Série	Pression de service (bar)	Code	Ø Ext. Tube	Filetage DIN	Filetage T	L1	L2	CH1	CH2
L	315	64.041.426GML006	6	12x1,5	10x1,0	24,0	8,0	14	14
		64.041.426GML008	8	14x1,5	12x1,5	24,5	12,0	17	17
		64.041.426GML010	10	16x1,5	14x1,5	25,5	12,0	19	19
		64.041.426GML012	12	18x1,5	16x1,5	28,5	12,0	22	22
		64.041.426GML015	15	22x1,5	18x1,5	29,5	12,0	24	27
	64.041.426GML018	18	26x1,5	22x1,5	29,5	14,0	27	32	
	160	64.041.426GML022	22	30x2,0	26x1,5	35,5	16,0	32	36
		64.041.426GML028	28	36x2,0	33x2,0	32,5	18,0	41	41
		64.041.426GML035	35	45x2,0	42x2,0	38,5	20,0	50	50
64.041.426GML042		42	52x2,0	48x2,0	41,6	22,0	55	60	
S	630	64.041.426GMS006	6	14x1,5	12x1,5	24,5	12,0	17	17
		64.041.426GMS008	8	16x1,5	14x1,5	27,0	12,0	19	19
		64.041.426GMS010	10	18x1,5	16x1,5	29,5	12,0	22	22
		64.041.426GMS012	12	20x1,5	18x1,5	31,5	12,0	24	24
		64.041.426GMS014	14	22x1,5	20x1,5	33,5	14,0	27	27
	400	64.041.426GMS016	16	24x1,5	22x1,5	33,5	14,0	27	30
		64.041.426GMS020	20	30x2,0	27x2,0	39,0	16,0	32	36
		64.041.426GMS025	25	36x2,0	33x2,0	42,5	18,0	41	46
		64.041.426GMS030	30	42x2,0	42x2,0	44,5	20,0	50	50
	315	64.041.426GMS038	38	52x2,0	48x2,0	50,5	22,0	55	60



DIN Série	Pression de service (bar)	Code	Ø Ext. Tube	Filetage DIN	Filetage T	D1	L1	L2	CH1	CH2
L	315	64.041.426GLU0604	6	12x1,5	7/16"-20	13,8	23,4	9,1	14	14
		64.041.426GLU0804	8	14x1,5	7/16"-20	13,8	30,0	9,1	14	17
		64.041.426GLU1006	10	16x1,5	9/16"-18	18,8	27,5	10,0	17	19
		64.041.426GLU1208	12	18x1,5	3/4"-16	21,8	32,9	11,1	22	22
		64.041.426GLU1510	15	22x1,5	7/8"-14	26,8	31,2	12,7	27	27
	64.041.426GLU1810	18	26x1,5	7/8"-14	26,8	30,2	12,7	27	32	
	160	64.041.426GLU2212	22	30x2,0	1"1/16-12	31,8	35,5	15,1	32	36
		64.041.426GLU2816	28	36x2,0	1"5/16-12	40,8	35,3	15,1	41	41
64.041.426GLU3520		35	45x2,0	1"5/8-12	49,8	43,0	15,1	50	50	
		64.041.426GLU4224	42	52x2,0	1"7/8-12	54,8	48,5	15,1	55	60
S	630	64.041.426GSU0604	6	14x1,5	7/16"-20	13,8	27,5	9,1	14	17
		64.041.426GSU0806	8	16x1,5	9/16"-18	18,8	29,0	10,0	17	19
		64.041.426GSU1006	10	18x1,5	9/16"-18	18,8	31,5	10,0	17	22
		64.041.426GSU1208	12	20x1,5	3/4"-16	21,8	32,3	11,1	22	24
		64.041.426GSU1410	14	22x1,5	7/8"-14	26,8	34,8	12,7	27	27
	400	64.041.426GSU1610	16	24x1,5	7/8"-14	26,8	34,8	12,7	27	30
		64.041.426GSU2012	20	30x2,0	1"1/16-12	31,8	39,8	15,1	32	36
		64.041.426GSU2516	25	36x2,0	1"5/16-12	40,8	45,3	15,1	41	46
		64.041.426GSU3020	30	42x2,0	1"5/8-12	49,8	49,0	15,1	50	50
	315	64.041.426GSU3824	38	52x2,0	1"7/8-12	54,8	57,4	15,1	55	60

## Union DIN équipée avec écrou tournant à jonc / Union de réduction



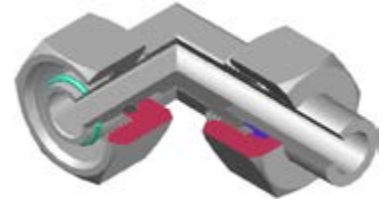
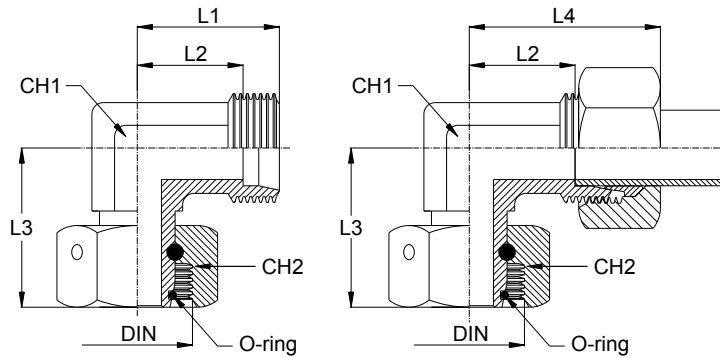
DIN Série	Pression de service (bar)	Code	Tube ext. D1	D2	T - D1	T - D2	L1	CH1	CH2	
L	630	64.041.498L006	6	6	12x1,5	12x1,5	35	14	14	
		64.041.498L008	8	8	14x1,5	14x1,5	38	17	17	
		64.041.498L010	10	10	16x1,5	16x1,5	38	19	19	
	450	64.041.498L012	12	12	18x1,5	18x1,5	39	22	22	
		64.041.498L015	15	15	22x1,5	22x1,5	45	27	27	
		64.041.498L018	18	18	26x1,5	26x1,5	43	32	32	
	300	64.041.498L022	22	22	30x2	30x2	53	36	36	
		64.041.498L028	28	28	36x2	36x2	47	41	41	
		64.041.498L035	35	35	45x2	45x2	54	50	50	
		64.041.498L042	42	42	52x2	52x2	54	60	60	
S	900	64.041.498S006	6	6	14x1,5	14x1,5	37	17	17	
		64.041.498S008	8	8	16x1,5	16x1,5	37	19	19	
	800	64.041.498S010	10	10	18x1,5	18x1,5	39	22	22	
	700	64.041.498S012	12	12	20x1,5	20x1,5	41	24	24	
	650	64.041.498S016	16	16	24x1,5	24x1,5	45	30	30	
		64.041.498S020	20	20	30x2	30x2	53	36	36	
		64.041.498S025	25	25	36x2	36x2	59	46	46	
		64.041.498S030	30	30	42x2	42x2	61	50	50	
		420	64.041.498S038	38	38	52x2	52x2	69	60	60

### Union de réduction

L	630	64.041.498L0806	8	6	14x1,5	12x1,5	38	17	14
		64.041.498L1006	10	6	16x1,5	12x1,5	38	19	14
	450	64.041.498L1206	12	6	18x1,5	12x1,5	39	22	14
		630	64.041.498L1008	10	8	16x1,5	14x1,5	38	19
	450	64.041.498L1208	12	8	18x1,5	14x1,5	39	22	17
		64.041.498L1508	15	8	22x1,5	14x1,5	42	27	17
		64.041.498L1210	12	10	18x1,5	16x1,5	39	22	19
		64.041.498L1510	15	10	22x1,5	16x1,5	42	27	19
		64.041.498L1810	18	10	26x1,5	16x1,5	41	32	19
		64.041.498L1512	15	12	22x1,5	18x1,5	42	27	22
		64.041.498L1812	18	12	26x1,5	18x1,5	41	32	22
	300	64.041.498L2212	22	12	30x2	18x1,5	46	36	22
		450	64.041.498L1815	18	15	26x1,5	22x1,5	44	32
	300	64.041.498L2215	22	15	30x2	22x1,5	49	36	27
		64.041.498L2815	28	15	36x2	22x1,5	46	41	27
		64.041.498L2218	22	18	30x2	26x1,5	48	36	32
		64.041.498L2818	28	18	36x2	26x1,5	45	41	32
		64.041.498L3518	35	18	45x2	26x1,5	48,5	50	32
		64.041.498L2822	28	22	36x2	30x2	50	41	36
		64.041.498L3522	35	22	45x2	30x2	53,5	50	36
		64.041.498L4222	42	22	52x2	30x2	53,5	60	36
		64.041.498L3528	35	28	45x2	36x2	50,5	50	41
		64.041.498L4228	42	28	52x2	36x2	50,5	60	41
		64.041.498L4235	42	35	52x2	45x2	54	60	50

# RACCORDS ET ADAPTEURS INOX DIN 2353 - Iso 8434-1

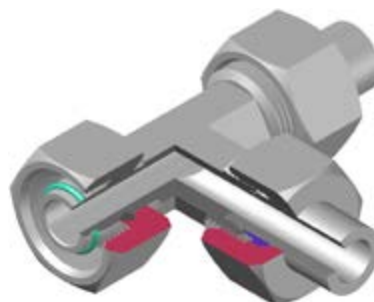
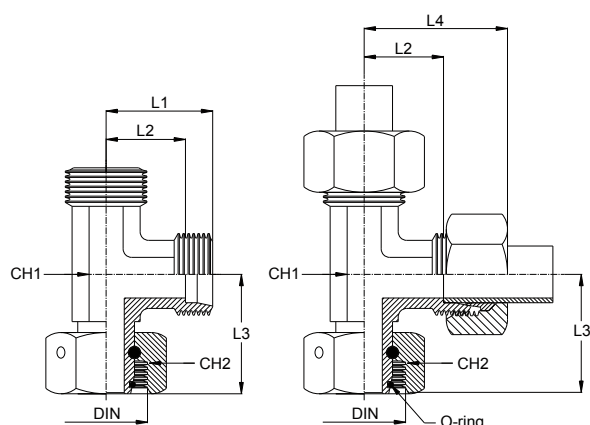
## Coude orientable DIN avec écrou tournant à jonc (nu)



DIN Série	Pression de service (bar)	Code	Ø Ext. Tube	Filetage DIN	L1	L2	L3	L4	CH1	CH2
L	630	64.041.419L006Y	6	12x1,5	19,0	12,0	24,5	27,0	12	14
		64.041.419L008Y	8	14x1,5	21,0	14,0	26,0	29,0	12	17
		64.041.419L010Y	10	16x1,5	22,0	15,0	28,0	30,0	14	19
	450	64.041.419L012Y	12	18x1,5	24,0	17,0	28,5	32,0	17	22
		64.041.419L015Y	15	22x1,5	28,0	21,0	34,0	36,0	19	27
		64.041.419L018Y	18	26x1,5	31,0	23,5	36,0	40,0	27	32
	300	64.041.419L022Y	22	30x2,0	35,0	27,5	40,5	44,0	27	36
		64.041.419L028Y	28	36x2,0	38,0	30,5	41,5	47,0	36	41
		64.041.419L035Y	35	45x2,0	45,0	34,5	51,0	56,0	41	50
		64.041.419L042Y	42	52x2,0	51,0	40,0	52,0	63,0	50	60
S	900	64.041.419S006Y	6	14x1,5	23,0	16,0	25,0	31,0	12	17
		64.041.419S008Y	8	16x1,5	24,0	17,0	27,5	32,0	14	19
	800	64.041.419S010Y	10	18x1,5	25,0	17,5	28,5	34,0	17	22
		64.041.419S012Y	12	20x1,5	29,0	21,5	29,5	38,0	17	24
	700	64.041.419S014Y	14	22x1,5	30,0	22,0	34,0	40,0	19	27
		64.041.419S016Y	16	24x1,5	33,0	24,5	35,0	43,0	24	30
	650	64.041.419S020Y	20	30x2,0	37,0	26,5	41,0	48,0	27	36
		64.041.419S025Y	25	36x2,0	42,0	30,0	47,5	54,0	36	46
		64.041.419S030Y	30	42x2,0	49,0	35,5	54,5	62,0	41	50
		64.041.419S038Y	38	52x2,0	57,0	41,0	54,0	72,0	50	60

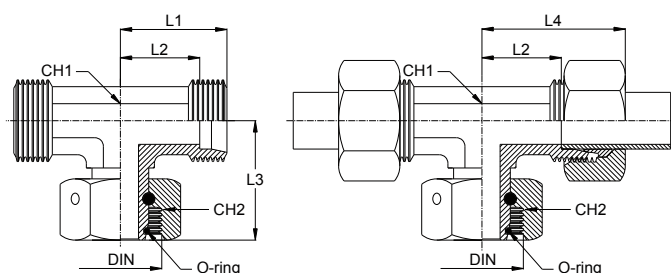
\*Raccord seul, les bagues et écrous sont à commander séparément.

RACCORDS ET ADAPTEURS INOX **DIN 2353** - Iso 8434-1  
**Té orientable latéral DIN avec écrou tournant à jonc (nu)**



DIN Série	Presiion de service (bar)	Code	Ø Ext. Tube	Filetage DIN	L1	L2	L3	L4	CH1	CH2
L	630	64.041.421L006Y	6	12x1,5	19,0	12,0	24,5	27,0	12	14
		64.041.421L008Y	8	14x1,5	21,0	14,0	26,0	29,0	12	17
		64.041.421L010Y	10	16x1,5	22,0	15,0	28,0	30,0	14	19
	450	64.041.421L012Y	12	18x1,5	24,0	17,0	28,5	32,0	17	22
		64.041.421L015Y	15	22x1,5	28,0	21,0	34,0	36,0	19	27
		64.041.421L018Y	18	26x1,5	31,0	23,5	36,0	40,0	27	32
	300	64.041.421L022Y	22	30x2,0	35,0	27,5	40,5	44,0	27	36
		64.041.421L028Y	28	36x2,0	38,0	30,5	41,5	47,0	36	41
64.041.421L035Y		35	45x2,0	45,0	34,5	51,0	56,0	41	50	
		64.041.421L042Y	42	52x2,0	51,0	40,0	52,0	63,0	50	60
S	900	64.041.421S006Y	6	14x1,5	23,0	16,0	25,0	31,0	12	17
		64.041.421S008Y	8	16x1,5	24,0	17,0	27,5	32,0	14	19
	800	64.041.421S010Y	10	18x1,5	25,0	17,5	28,5	34,0	17	22
		64.041.421S012Y	12	20x1,5	29,0	21,5	29,5	38,0	17	24
	700	64.041.421S014Y	14	22x1,5	30,0	22,0	34,0	40,0	19	27
		64.041.421S016Y	16	24x1,5	33,0	24,5	35,0	43,0	24	30
	650	64.041.421S020Y	20	30x2,0	37,0	26,5	41,0	48,0	27	36
		64.041.421S025Y	25	36x2,0	42,0	30,0	47,5	54,0	36	46
		64.041.421S030Y	30	42x2,0	49,0	35,5	54,5	62,0	41	50
		64.041.421S038Y	38	52x2,0	57,0	41,0	54,0	72,0	50	60

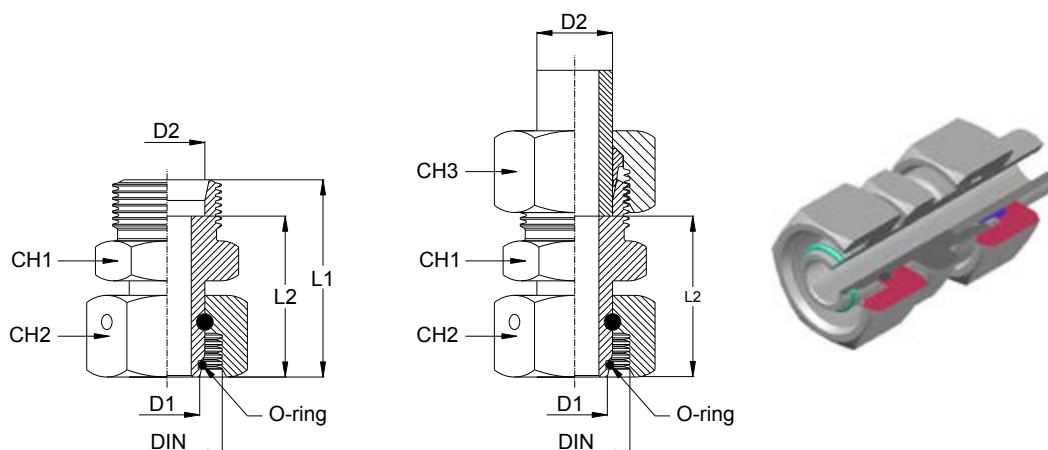
\*Raccord seul, les bagues et écrous sont à commander séparément.



DIN Série	Pression de service (bar)	Code	Ø Ext. Tube	Filetage DIN	L1	L2	L3	L4	CH1	CH2
L	630	64.041.420L006Y	6	12x1,5	19,0	12,0	24,5	27,0	12	14
		64.041.420L008Y	8	14x1,5	21,0	14,0	26,0	29,0	12	17
		64.041.420L010Y	10	16x1,5	22,0	15,0	28,0	30,0	14	19
	450	64.041.420L012Y	12	18x1,5	24,0	17,0	28,5	32,0	17	22
		64.041.420L015Y	15	22x1,5	28,0	21,0	34,0	36,0	19	27
		64.041.420L018Y	18	26x1,5	31,0	23,5	36,0	40,0	27	32
	300	64.041.420L022Y	22	30x2,0	35,0	27,5	40,5	44,0	27	36
		64.041.420L028Y	28	36x2,0	38,0	30,5	41,5	47,0	36	41
		64.041.420L035Y	35	45x2,0	45,0	34,5	51,0	56,0	41	50
		64.041.420L042Y	42	52x2,0	51,0	40,0	52,0	63,0	50	60
S	900	64.041.420S006Y	6	14x1,5	23,0	16,0	25,0	31,0	12	17
		64.041.420S008Y	8	16x1,5	24,0	17,0	27,5	32,0	14	19
	800	64.041.420S010Y	10	18x1,5	25,0	17,5	28,5	34,0	17	22
	700	64.041.420S012Y	12	20x1,5	29,0	21,5	29,5	38,0	17	24
		64.041.420S014Y	14	22x1,5	30,0	22,0	34,0	40,0	19	27
	650	64.041.420S016Y	16	24x1,5	33,0	24,5	35,0	43,0	24	30
	420	64.041.420S020Y	20	30x2,0	37,0	26,5	41,0	48,0	27	36
		64.041.420S025Y	25	36x2,0	42,0	30,0	47,5	54,0	36	46
		64.041.420S030Y	30	42x2,0	49,0	35,5	54,5	62,0	41	50
		64.041.420S038Y	38	52x2,0	57,0	41,0	54,0	72,0	50	60

\*Raccord seul, les bagues et écrous sont à commander séparément.

RACCORDS ET ADAPTEURS INOX **DIN 2353 - Iso 8434-1**  
**Union de réduction DIN L avec écrou tournant à jonc (nue)**

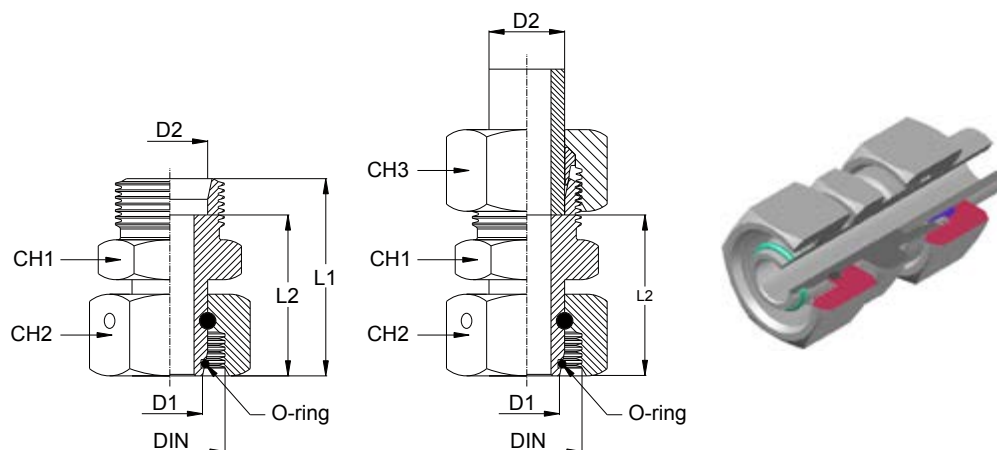


DIN Série	Pression de service (bar)	Code	D1	D2	Filetage DIN	L1	L2	CH1	CH2	CH3
L	630	64.041.432L00806Y	8	6	14x1,5	33,5	26,5	14	17	14
		64.041.432L01006Y	10	6	16x1,5	33,5	26,5	14	19	14
	450	64.041.432L01206Y	12	6	18x1,5	34,0	27,0	17	22	14
		64.041.432L01506Y	15	6	22x1,5	37,0	30,0	19	27	14
	630	64.041.432L01806Y	18	6	26x1,5	37,0	30,0	24	32	14
		64.041.432L01008Y	10	8	16x1,5	33,5	26,5	14	19	17
	450	64.041.432L01208Y	12	8	18x1,5	33,5	26,5	17	22	17
		64.041.432L01508Y	15	8	22x1,5	37,0	30,0	19	27	17
		64.041.432L01808Y	18	8	26x1,5	37,0	30,0	24	32	17
		64.041.432L01210Y	12	10	18x1,5	35,0	28,0	17	22	19
		64.041.432L01510Y	15	10	22x1,5	38,0	31,0	19	27	19
		64.041.432L01810Y	18	10	26x1,5	38,0	31,0	24	32	19
		64.041.432L01512Y	15	12	22x1,5	38,0	31,0	19	27	22
		64.041.432L01812Y	18	12	26x1,5	38,0	31,0	24	32	22
		64.041.432L01815Y	18	15	26x1,5	39,0	32,0	24	32	27
		300	64.041.432L02206Y	22	6	30x2,0	42,0	35,0	27	36
	64.041.432L02806Y		28	6	36x2,0	40,0	33,0	32	41	14
	64.041.432L03506Y		35	6	45x2,0	44,5	37,5	41	50	14
	64.041.432L04206Y		42	6	52x2,0	46,5	39,5	50	60	14
	64.041.432L02208Y		22	8	30x2,0	42,0	35,0	27	36	17
	64.041.432L02808Y		28	8	36x2,0	40,0	33,0	32	41	17
	64.041.432L03508Y		35	8	45x2,0	44,5	37,5	41	50	17
	64.041.432L04208Y		42	8	52x2,0	46,5	39,5	50	60	17
	64.041.432L02210Y		22	10	30x2,0	43,0	36,0	27	36	19
	64.041.432L02810Y		28	10	36x2,0	41,0	34,0	32	41	19
	64.041.432L03510Y		35	10	45x2,0	45,5	38,5	41	50	19
	64.041.432L04210Y		42	10	52x2,0	47,5	40,5	50	60	19
	64.041.432L02212Y		22	12	30x2,0	43,0	36,0	27	36	22
	64.041.432L02812Y		28	12	36x2,0	41,0	34,0	32	41	22
	64.041.432L03512Y		35	12	45x2,0	45,5	38,5	41	50	22
	64.041.432L04212Y		42	12	52x2,0	47,5	40,5	50	60	22
	64.041.432L02215Y		22	15	30x2,0	44,0	37,0	27	36	27
	64.041.432L02815Y		28	15	36x2,0	42,0	35,0	32	41	27
	64.041.432L03515Y		35	15	45x2,0	46,5	39,5	41	50	27
	64.041.432L04215Y		42	15	52x2,0	48,5	41,5	50	60	27
	64.041.432L02218Y		22	18	30x2,0	44,0	36,5	27	36	32
	64.041.432L02818Y		28	18	36x2,0	42,0	34,5	32	41	32
	64.041.432L03518Y		35	18	45x2,0	46,5	39,0	41	50	32
	64.041.432L04218Y		42	18	52x2,0	48,5	41,0	50	60	32
	64.041.432L02822Y		28	22	36x2,0	44,0	36,5	32	41	36
	64.041.432L03522Y		35	22	45x2,0	48,5	41,0	41	50	36
	64.041.432L04222Y		42	22	52x2,0	50,5	43,0	50	60	36
64.041.432L03528Y	35		28	45x2,0	48,5	41,0	41	50	41	
64.041.432L04228Y	42		28	52x2,0	50,5	43,0	50	60	41	
64.041.432L04235Y	42		35	52x2,0	52,5	42,0	50	60	50	

\*Raccord seul, les bagues et écrous sont à commander séparément.



**Union de réduction DIN S avec écrou tournant à jonc (nue)**

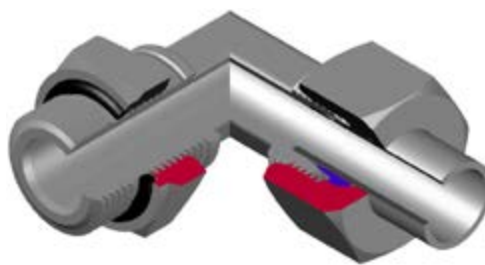
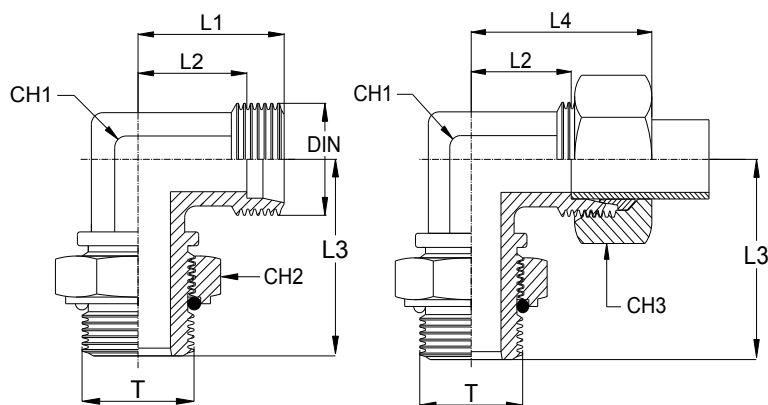


DIN Série	Pression de service (bar)	Code	D1	D2	Filetage DIN	L1	L2	CH1	CH2	CH3
S	800	64.041.432S00806Y	8	6	16x1,5	35,0	28,0	14	19	17
		64.041.432S01006Y	10	6	18x1,5	36,0	29,0	17	22	17
	700	64.041.432S01206Y	12	6	20x1,5	37,0	30,0	17	24	17
		64.041.432S01406Y	14	6	22x1,5	39,5	32,5	19	27	17
		64.041.432S01008Y	10	8	18x1,5	38,0	31,0	17	22	19
		64.041.432S01208Y	12	8	20x1,5	39,0	32,0	17	24	19
		64.041.432S01408Y	14	8	22x1,5	39,5	32,5	19	27	19
		64.041.432S01210Y	12	10	20x1,5	39,0	31,5	19	24	22
		64.041.432S01410Y	14	10	22x1,5	39,5	32,0	19	27	22
	64.041.432S01412Y	14	12	22x1,5	41,5	34,0	22	27	24	
	650	64.041.432S01606Y	16	6	24x1,5	41,0	34,0	22	30	17
	420	64.041.432S02006Y	20	6	30x2,0	45,0	38,0	27	36	17
		64.041.432S02506Y	25	6	36x2,0	48,0	41,0	32	46	17
		64.041.432S03006Y	30	6	42x2,0	50,0	43,0	41	50	17
	650	64.041.432S01608Y	16	8	24x1,5	41,0	34,0	22	30	19
	420	64.041.432S02008Y	20	8	30x2,0	45,0	38,0	27	36	19
		64.041.432S02508Y	25	8	36x2,0	48,0	41,0	32	46	19
		64.041.432S03008Y	30	8	42x2,0	50,0	43,0	41	50	19
	650	64.041.432S01610Y	16	10	24x1,5	41,0	33,5	22	30	22
	420	64.041.432S02010Y	20	10	30x2,0	45,0	37,5	27	36	22
		64.041.432S02510Y	25	10	36x2,0	48,0	40,5	32	46	22
	650	64.041.432S01612Y	16	12	24x1,5	43,0	35,5	22	30	24
	420	64.041.432S02012Y	20	12	30x2,0	47,0	39,5	27	36	24
		64.041.432S02512Y	25	12	36x2,0	50,0	42,5	32	46	24
		64.041.432S03012Y	30	12	42x2,0	51,0	43,5	41	50	24
	650	64.041.432S01614Y	16	14	24x1,5	45,0	37,0	24	30	27
	420	64.041.432S02014Y	20	14	30x2,0	49,0	41,0	27	36	27
		64.041.432S02514Y	25	14	36x2,0	52,0	44,0	32	46	27
		64.041.432S02016Y	20	16	30x2,0	49,0	40,5	27	36	30
		64.041.432S02516Y	25	16	36x2,0	52,0	43,5	32	46	30
		64.041.432S03016Y	30	16	42x2,0	53,0	44,5	41	50	30
		64.041.432S02520Y	25	20	36x2,0	56,0	45,5	32	46	36
		64.041.432S03020Y	30	20	42x2,0	57,0	46,5	41	50	36
		64.041.432S03820Y	38	20	52x2,0	66,0	55,5	50	60	36
		64.041.432S03025Y	30	25	42x2,0	61,0	49,0	41	50	46
		64.041.432S03806Y	38	6	52x2,0	55,0	48,0	50	60	17
		64.041.432S03808Y	38	8	52x2,0	55,0	48,0	50	60	19
		64.041.432S03812Y	38	12	52x2,0	55,0	47,5	50	60	24
		64.041.432S03816Y	38	16	52x2,0	57,0	48,5	50	60	30
		64.041.432S03825Y	38	25	52x2,0	65,0	53,0	50	60	46
64.041.432S03830Y		38	30	52x2,0	67,0	53,5	50	60	50	
64.041.432S03010Y		30	10	42x2,0	51,0	43,5	41	50	22	
64.041.432S03810Y		38	10	52x2,0	55,0	47,5	50	60	22	
64.041.432S03014Y		30	14	42x2,0	53,0	45,0	41	50	27	
64.041.432S03814Y		38	14	52x2,0	57,0	49,0	50	60	27	

\*Raccord seul, les bagues et écrous sont à commander séparément.



## Coude orientable mâle DIN x mâle BSP ou mâle métrique avec joint (nu)



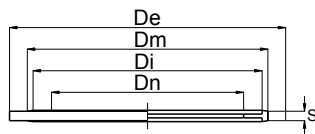
### Filetage BSP

DIN Série	Pression de service (bar)	Code	Ø Ext. Tube	Filetage DIN	Filetage T	L1	L2	L3	L4	CH1	CH2	CH3
L	315	64.041.514RL006	6	12x1,5	1/8"	19,0	12,0	26,0	27,0	12	14	14
		64.041.514RL008	8	14x1,5	1/4"	21,0	14,0	32,0	29,0	14	19	17
		64.041.514RL010	10	16x1,5	1/4"	22,0	15,0	32,0	30,0	14	19	19
	250	64.041.514RL012	12	18x1,5	3/8"	24,0	17,0	37,0	32,0	19	22	22
		64.041.514RL015	15	22x1,5	1/2"	28,0	21,0	44,0	36,0	19	27	27
		64.041.514RL018	18	26x1,5	1/2"	31,0	23,5	47,0	40,0	24	27	32
		64.041.514RL022	22	30x2,0	3/4"	35,0	27,5	51,0	44,0	27	36	36
	160	64.041.514RL028	28	36x2,0	1"	38,0	30,5	53,0	47,0	33	41	41
64.041.514RL035		35	45x2,0	1 1/4"	45,0	34,5	59,0	56,0	41	50	50	
		64.041.514RL042	42	52x2,0	1 1/2"	51,0	40,0	64,0	63,0	48	55	60
S	315	64.041.514RS006	6	14x1,5	1/4"	23,0	16,0	32,0	31,0	14	19	17
		64.041.514RS008	8	16x1,5	1/4"	24,0	17,0	32,0	32,0	14	19	19
	250	64.041.514RS010	10	18x1,5	3/8"	25,0	17,5	37,0	34,0	19	22	22
		64.041.514RS012	12	20x1,5	3/8"	29,0	21,5	37,0	38,0	19	22	24
		64.041.514RS014	14	22x1,5	1/2"	30,0	22,0	44,0	40,0	22	27	27
		64.041.514RS016	16	24x1,5	1/2"	33,0	24,5	47,0	43,0	27	27	30
	200	64.041.514RS020	20	30x2,0	3/4"	37,0	26,5	51,0	48,0	27	36	36
		64.041.514RS025	25	36x2,0	1"	42,0	30,0	53,0	54,0	33	41	46
	200	64.041.514RS030	30	42x2,0	1 1/4"	49,0	35,5	59,0	62,0	41	50	50
		64.041.514RS038	38	52x2,0	1 1/2"	57,0	41,0	64,0	72,0	48	55	60

### Filetage métrique

DIN Série	Pression de service (bar)	Code	Ø Ext. Tube	Filetage DIN	Filetage T	L1	L2	L3	L4	CH1	CH2	CH3
L	315	64.041.514ML006	6	12x1,5	10x1	19,0	12,0	26,0	27,0	12	14	14
		64.041.514ML008	8	14x1,5	12x1,5	21,0	14,0	31,0	29,0	14	17	17
		64.041.514ML010	10	16x1,5	14x1,5	22,0	15,0	33,0	30,0	14	19	19
		64.041.514ML012	12	18x1,5	16x1,5	24,0	17,0	38,0	32,0	19	22	22
		64.041.514ML015	15	22x1,5	18x1,5	28,0	21,0	40,0	36,0	19	24	27
	250	64.041.514ML018	18	26x1,5	22x1,5	31,0	23,5	46,0	40,0	24	27	32
		64.041.514ML022	22	30x2,0	27x2	35,0	27,5	50,5	44,0	27	32	36
		64.041.514ML028	28	36x2,0	33x2	38,0	30,5	52,5	47,0	33	41	41
160	64.041.514ML035	35	45x2,0	42x2	45,0	34,5	58,0	56,0	41	50	50	
	64.041.514ML042	42	52x2,0	48x2	51,0	40,0	63,0	63,0	48	55	60	
S	315	64.041.514MS006	6	14x1,5	12x1,5	23,0	16,0	31,0	31,0	14	17	17
		64.041.514MS008	8	16x1,5	14x1,5	24,0	17,0	33,0	32,0	14	19	19
		64.041.514MS010	10	18x1,5	16x1,5	25,0	17,5	38,0	34,0	19	22	22
		64.041.514MS012	12	20x1,5	18x1,5	29,0	21,5	38,0	38,0	19	24	24
	250	64.041.514MS014	14	22x1,5	20x1,5	30,0	22,0	44,0	40,0	22	27	27
		64.041.514MS016	16	24x1,5	22x1,5	33,0	24,5	48,0	43,0	27	27	30
		64.041.514MS020	20	30x2,0	27x2	37,0	26,5	50,5	48,0	27	32	36
	200	64.041.514MS025	25	36x2,0	33x2	42,0	30,0	52,5	54,0	33	41	46
		64.041.514MS030	30	42x2,0	42x2	49,0	35,5	58,0	62,0	41	50	50
		64.041.514MS038	38	52x2,0	48x2	57,0	41,0	63,0	72,0	48	55	60

\*Raccord seul, les bagues et écrous sont à commander séparément.

**Bagues BS**

Code	Dn	De mm	Dm mm	Di mm	S mm	Pression d'éclatement mini (bar)
561.103.18010	1/8"	15,88	11,84	10,37	2,03	1480
561.103.14010	1/4"	20,57	15,21	13,74	2,03	1540
561.103.38010	3/8"	23,8	18,75	17,28	2,03	1230
561.103.12010	1/2"	25,58	23,01	21,54	2,50	1120
561.103.58010	5/8"	31,58	24,97	23,49	2,50	1240
561.103.34010	3/4"	34,93	28,53	27,05	2,50	1050
561.103.10010	1"	42,8	36,88	33,89	2,50	780
561.103.11410	1"1/4	52,38	45,93	42,93	2,50	690
561.103.11210	1"1/2	58,6	51,39	48,44	2,50	690
561.103.20010	2"	73,03	63,63	60,58	2,50	680

# RACCORDS ET ADAPTEURS INOX

---

## JIC SAE - Iso 8434-2





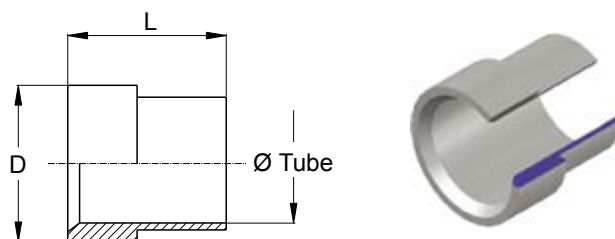
Fourreau JIC .....	125
Ecrou JIC .....	125
Union mâle JIC x mâle JIC .....	126
Union de réduction mâle JIC x mâle JIC .....	127
Adapteur mâle JIC x mâle BSP .....	128
Adapteur mâle JIC x mâle BSP avec joint encastré .....	129
Adapteur mâle JIC x mâle gaz cône.....	130
Adapteur mâle JIC x mâle NPT .....	131
Adapteur mâle JIC x mâle UNF/UN-2A avec joint O-Ring .....	132
Adapteur mâle JIC x mâle métrique .....	133
Adapteur mâle JIC x mâle métrique avec joint encastré .....	134
Union double mâle JIC passe cloison avec contre-écrou .....	135
Union mâle JIC x femelle JIC .....	136
Adapteur mâle JIC x femelle BSP .....	137
Union mâle JIC x femelle JIC écrou tournant .....	138
Adapteur femelle JIC écrou tournant x mâle BSP avec joint encastré .....	139
Adapteur femelle JIC écrou tournant x mâle gaz cône .....	140
Adapteur femelle JIC écrou tournant x mâle UNF/UN-2A avec jt O-Ring .....	141
Adapteur femelle JIC écrou tournant x mâle métrique avec jt encastré .....	142
Coude égal 90° mâle JIC .....	143
Coude égal 90° mâle JIC x mâle gaz cône .....	144
Coude égal 90° mâle JIC x mâle NPT.....	145
Coude 90° mâle JIC x femelle JIC écrou tournant .....	146
Coude égal 90° femelle JIC écrou tournant .....	147
Adapteur femelle JIC écrou tournant .....	147
Coude égal 90° mâle JIC passe cloison avec contre-écrou .....	148
Contre-écrou pour passe cloison JIC .....	148
Té égal mâle JIC .....	149
Té mâle JIC x mâle gaz cône latéral .....	150
Té mâle JIC x femelle JIC latérale écrou tournant .....	151
Té mâle JIC x mâle gaz cône central .....	152

## Sommaire

---

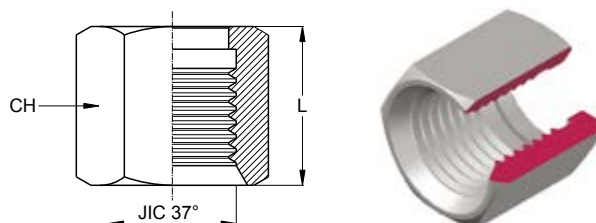
Té mâle JIC x femelle JIC centrale écrou tournant .....	153
Croix égale mâle JIC .....	154
Bouchon mâle JIC .....	155
Bouchon femelle JIC avec écrou tournant .....	155

## Fourreau JIC



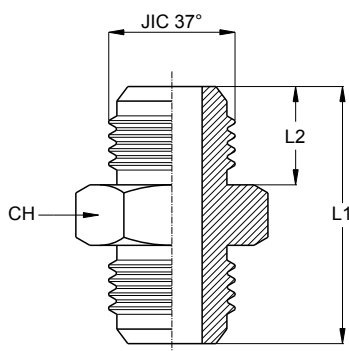
Série	Pression de service (bar)	Code	Ø Ext. Tube métrique	Ø Ext. Tube Gaz	L	D	
UNIVERSELLE	450	66.101.80.830606	6		10,4	9,70	
	450	66.101.80.830808	8	5/16"	11,2	11,25	
	350		66.101.80.831010	10		12,7	12,70
			66.101.80.831212	12		14,2	17,30
			66.101.80.831414	14		16,8	20,20
			66.101.80.831515	15		16,8	20,20
			66.101.80.831616	16	5/8"	16,8	20,20
		66.101.80.832020	20		17,3	24,65	
290	66.101.80.832525	25		19,8	31,00		
	240	66.101.80.832828	28		23,1	38,90	
		66.101.80.833030	30		23,1	38,90	
		66.101.80.833232	32		23,1	38,90	
		66.101.80.833838	38	1"1/2	28,4	45,25	
	140	66.101.80.835050	50		30,2	61,15	

## Ecrou JIC



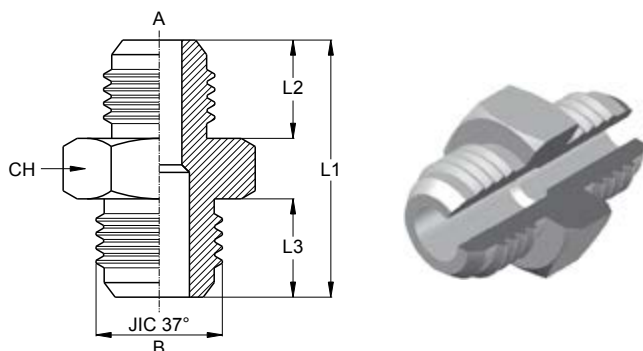
Série	Pression de service (bar)	Code	Ø Ext. Tube Métrique	Ø Ext. Tube Gaz	JIC 37°	L	CH
UNIVERSELLE	450	66.101.80.130404	6	1/4"	7/16"-20	15,8	14
		66.101.80.130505	8	5/16"	1/2"-20	17,3	17
	350	66.101.80.130606	10	3/8"	9/16"-18	18,5	19
		66.101.80.130808	12	1/2"	3/4"-16	21,6	22
		66.101.80.131010	14-15-16	5/8"	7/8"-14	24,9	27
		66.101.80.131212	18-20	3/4"	1"1/16-12	26,2	32
	290	66.101.80.131616	25	1"	1"5/16-12	28,7	41
	240	66.101.80.132020	28-30		1"5/8-12	31,2	50
		66.101.80.132424	32	1"1/4	1"5/8-12	31,2	50
		66.101.80.133232	35-38	1"1/2	1"7/8-12	36,1	60

**Union double mâle JIC x mâle JIC**



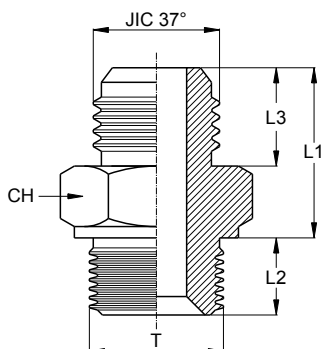
Série	Pression de service (bar)	Code	Ø Ext. Tube Métrique	Ø Ext. Tube Gaz	JIC 37°	L1	L2	CH
UNIVERSELLE	450	66.101.80.170404	6	1/4"	7/16"-20	35,0	14,0	14
		66.101.80.170505	8	5/16"	1/2"-20	35,0	14,0	14
	350	66.101.80.170606	10	3/8"	9/16"-18	36,0	14,1	17
		66.101.80.170808	12	1/2"	3/4"-16	41,0	16,7	22
		66.101.80.171010	14-15-16	5/8"	7/8"-14	48,0	19,3	24
		66.101.80.171212	18-20	3/4"	1"1/16-12	55,0	21,9	30
	290	66.101.80.171616	25	1"	1"5/16-12	57,0	23,1	36
	240	66.101.80.172020	28-30-32	1"1/4	1"5/8-12	61,5	24,3	46
		66.101.80.172424	35-38	1"1/2	1"7/8-12	70,0	27,5	50
	105	66.101.80.173232	50	2"	2"1/2-12	86,5	33,9	65





Série	Pression de service (bar)	Code	Ø Ext. Tube A Métrique	Ø Ext. Tube B Métrique	Ø Ext. Tube A Gaz	Ø Ext. Tube B Gaz	JIC 37° A	JIC 37° B	L1	L2	L3	CH
UNIVERSELLE	450	66.101.80.180405	6	8	1/4"	5/16"	7/16"-20	1/2"-20	35,0	14,0	14,0	14
	350	66.101.80.180406	6	10	1/4"	3/8"	7/16"-20	9/16"-18	35,9	14,0	14,1	17
		66.101.80.180506	8	10	5/16"	3/8"	1/2"-20	9/16"-18	35,9	14,0	14,1	17
		66.101.80.180408	6	12	1/4"	1/2"	7/16"-20	3/4"-16	38,3	14,0	16,7	22
		66.101.80.180805	8	12	5/16"	1/2"	1/2"-20	3/4"-16	38,3	14,0	16,7	22
		66.101.80.180806	10	12	3/8"	1/2"	9/16"-18	3/4"-16	38,4	14,1	16,7	22
		66.101.80.180410	6	14-15-16	1/4"	5/8"	7/16"-20	7/8"-14	42,7	14,0	19,3	24
		66.101.80.180510	8	14-15-16	5/16"	5/8"	1/2"-20	7/8"-14	42,7	14,0	19,3	24
		66.101.80.180610	10	14-15-16	3/8"	5/8"	9/16"-18	7/8"-14	42,8	14,1	19,3	24
		66.101.80.181008	12	14-15-16	1/2"	5/8"	3/4"-16	7/8"-14	45,4	16,7	19,3	24
		66.101.80.180412	6	18-20	1/4"	3/4"	7/16"-20	1"1/16-12	47,1	14,0	21,9	30
		66.101.80.180512	8	18-20	5/16"	3/4"	1/2"-20	1"1/16-12	47,1	14,0	21,9	30
		66.101.80.180612	10	18-20	3/8"	3/4"	9/16"-18	1"1/16-12	47,2	14,1	21,9	30
		66.101.80.181208	12	18-20	1/2"	3/4"	3/4"-16	1"1/16-12	49,8	16,7	21,9	30
		66.101.80.181210	14-15-16	18-20	5/8"	3/4"	7/8"-14	1"1/16-12	52,4	19,3	21,9	30
	290	66.101.80.180416	6	25	1/4"	1"	7/16"-20	1"5/16-12	47,9	14,0	23,1	36
		66.101.80.180516	8	25	5/16"	1"	1/2"-20	1"5/16-12	47,9	14,0	23,1	36
		66.101.80.180616	10	25	3/8"	1"	9/16"-18	1"5/16-12	48,0	14,1	23,1	36
		66.101.80.180816	12	25	1/2"	1"	3/4"-16	1"5/16-12	50,6	16,7	23,1	36
		66.101.80.181016	14-15-16	25	5/8"	1"	7/8"-14	1"5/16-12	53,2	19,3	23,1	36
		66.101.80.181612	18-20	25	3/4"	1"	1"1/16-12	1"5/16-12	55,8	21,9	23,1	36
	240	66.101.80.180420	6	28-30-32	1/4"	1"1/4	7/16"-20	1"5/8-12	51,2	14,0	24,3	46
		66.101.80.180520	8	28-30-32	5/16"	1"1/4	1/2"-20	1"5/8-12	51,2	14,0	24,3	46
		66.101.80.180620	10	28-30-32	3/8"	1"1/4	9/16"-18	1"5/8-12	51,3	14,1	24,3	46
		66.101.80.180820	12	28-30-32	1/2"	1"1/4	3/4"-16	1"5/8-12	53,9	16,7	24,3	46
		66.101.80.181020	14-15-16	28-30-32	5/8"	1"1/4	7/8"-14	1"5/8-12	56,5	19,3	24,3	46
		66.101.80.181220	18-20	28-30-32	3/4"	1"1/4	1"1/16-12	1"5/8-12	59,1	21,9	24,3	46
		66.101.80.181620	25	28-30-32	1"	1"1/4	1"5/16-12	1"5/8-12	60,3	23,1	24,3	46
		66.101.80.180424	6	35-38	1/4"	1"1/2	7/16"-20	1"7/8-12	56,5	14,0	27,5	50
		66.101.80.180524	8	35-38	5/16"	1"1/2	1/2"-20	1"7/8-12	56,5	14,0	27,5	50
		66.101.80.180624	10	35-38	3/8"	1"1/2	9/16"-18	1"7/8-12	56,6	14,1	27,5	50
		66.101.80.180824	12	35-38	1/2"	1"1/2	3/4"-16	1"7/8-12	59,2	16,7	27,5	50
		66.101.80.181024	14-15-16	35-38	5/8"	1"1/2	7/8"-14	1"7/8-12	61,8	19,3	27,5	50
		66.101.80.181224	18-20	35-38	3/4"	1"1/2	1"1/16-12	1"7/8-12	64,4	21,9	27,5	50
		66.101.80.181624	25	35-38	1"	1"1/2	1"5/16-12	1"7/8-12	65,6	23,1	27,5	50
	66.101.80.182024	28-30-32	35-38	1,1/4"	1"1/2	1"5/8-12	1"7/8-12	66,8	24,3	27,5	50	
	105	66.101.80.180432	6	50	1/4"	2"	7/16"-20	2"1/2-12	66,6	14,0	33,9	65
		66.101.80.180532	8	50	5/16"	2"	1/2"-20	2"1/2-12	66,6	14,0	33,9	65
		66.101.80.180632	10	50	3/8"	2"	9/16"-18	2"1/2-12	66,7	14,1	33,9	65
		66.101.80.180832	12	50	1/2"	2"	3/4"-16	2"1/2-12	69,3	16,7	33,9	65
		66.101.80.181032	14-15-16	50	5/8"	2"	7/8"-14	2"1/2-12	71,9	19,3	33,9	65
		66.101.80.181232	18-20	50	3/4"	2"	1"1/16-12	2"1/2-12	74,5	21,9	33,9	65
		66.101.80.181632	25	50	1"	2"	1"5/16-12	2"1/2-12	75,7	23,1	33,9	65
		66.101.80.182032	28-30-32	50	1,1/4"	2"	1"5/8-12	2"1/2-12	76,9	24,3	33,9	65
	66.101.80.182432	35-38	50	1,1/2"	2"	1"7/8-12	2"1/2-12	80,1	27,5	33,9	65	

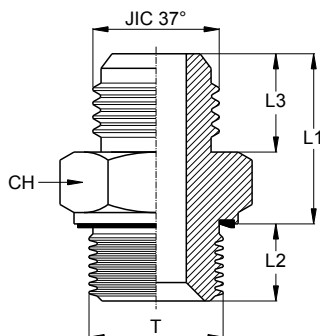
**Adapteur mâle JIC x mâle BSP**



Série	Pression de service (bar)	Code	Ø Ext. Tube Métrique	Ø Ext. Tube Gaz	JIC 37°	Filetage T (BSP)	L1	L2	L3	CH
UNIVERSELLE	350	66.101.80.190402	6	1/4"	7/16"-20	1/8"	22,5	8,0	14,0	14
		66.101.80.190404	6	1/4"	7/16"-20	1/4"	22,5	11,0	14,0	19
		66.101.80.190406	6	1/4"	7/16"-20	3/8"	23,5	12,0	14,0	22
		66.101.80.190408	6	1/4"	7/16"-20	1/2"	23,5	14,0	14,0	27
		66.101.80.190502	8	5/16"	1/2"-20	1/8"	22,5	8,0	14,0	14
		66.101.80.190504	8	5/16"	1/2"-20	1/4"	22,5	11,0	14,0	19
		66.101.80.190506	8	5/16"	1/2"-20	3/8"	23,5	12,0	14,0	22
		66.101.80.190508	8	5/16"	1/2"-20	1/2"	23,5	14,0	14,0	27
		66.101.80.190602	10	3/8"	9/16"-18	1/8"	23,4	8,0	14,1	17
		66.101.80.190604	10	3/8"	9/16"-18	1/4"	23,4	11,0	14,1	19
		66.101.80.190606	10	3/8"	9/16"-18	3/8"	23,6	12,0	14,1	22
		66.101.80.190608	10	3/8"	9/16"-18	1/2"	23,6	14,0	14,1	27
		66.101.80.190804	12	1/2"	3/4"-16	1/4"	25,8	12,0	16,7	22
		66.101.80.190806	12	1/2"	3/4"-16	3/8"	26,2	12,0	16,7	22
		66.101.80.190808	12	1/2"	3/4"-16	1/2"	26,2	14,0	16,7	27
		66.101.80.190812	12	1/2"	3/4"-16	3/4"	27,7	16,0	16,7	32
	66.101.80.191006	14-15-16	5/8"	7/8"-14	3/8"	30,2	12,0	19,3	24	
	66.101.80.191008	14-15-16	5/8"	7/8"-14	1/2"	30,2	14,0	19,3	27	
	66.101.80.191012	14-15-16	5/8"	7/8"-14	3/4"	30,7	16,0	19,3	32	
	66.101.80.191016	14-15-16	5/8"	7/8"-14	1"	32,3	19,0	19,3	41	
	66.101.80.191206	18-20	3/4"	1"1/16-12	3/8"	34,6	12,0	21,9	30	
	66.101.80.191208	18-20	3/4"	1"1/16-12	1/2"	34,6	14,0	21,9	30	
	66.101.80.191212	18-20	3/4"	1"1/16-12	3/4"	35,1	16,0	21,9	32	
	66.101.80.191216	18-20	3/4"	1"1/16-12	1"	35,1	19,0	21,9	41	
	66.101.80.191220	18-20	3/4"	1"1/16-12	1,1/4"	35,1	20,0	21,9	50	
	66.101.80.191612	25	1"	1"5/16-12	3/4"	35,9	16,0	23,1	36	
	66.101.80.191616	25	1"	1"5/16-12	1"	36,1	19,0	23,1	41	
	66.101.80.191620	25	1"	1"5/16-12	1,1/4"	36,1	20,0	23,1	50	
	66.101.80.191624	25	1"	1"5/16-12	1,1/2"	37,6	20,0	23,1	55	
	66.101.80.192016	28-30-32	1"1/4	1"5/8-12	1"	39,2	19,0	24,3	46	
	66.101.80.192020	28-30-32	1"1/4	1"5/8-12	1,1/4"	39,2	20,0	24,3	50	
	66.101.80.192024	28-30-32	1"1/4	1"5/8-12	1,1/2"	39,2	20,0	24,3	55	
66.101.80.192032	28-30-32	1"1/4	1"5/8-12	2"	39,8	24,5	24,3	70		
66.101.80.192416	35-38	1"1/2	1"7/8-12	1"	44,5	19,0	27,5	50		
66.101.80.192420	35-38	1"1/2	1"7/8-12	1,1/4"	44,5	20,0	27,5	50		
66.101.80.192424	35-38	1"1/2	1"7/8-12	1,1/2"	44,5	20,0	27,5	55		
66.101.80.192432	35-38	1"1/2	1"7/8-12	2"	44,5	24,5	27,5	70		
105	66.101.80.193232	50	2"	2"1/2-12	2"	49,5	24,5	33,9	70	

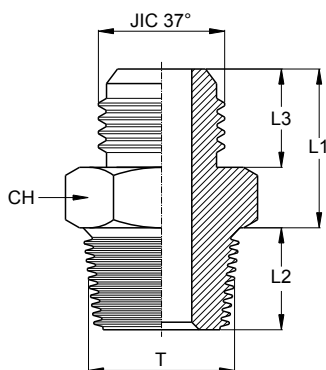
# RACCORDS ET ADAPTEURS INOX JIC - SAE J514 - Iso 8434-2

## Adaptateur mâle JIC x mâle BSP avec joint encastré

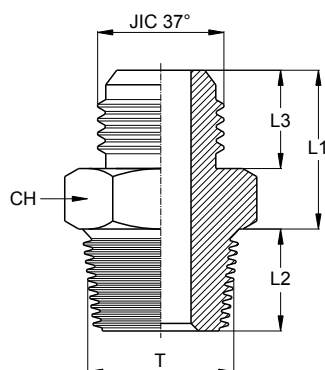


Série	Pression de service (bar)	Code	Ø Ext. Tube Métrique	Ø Ext. Tube Gaz	JIC 37°	Filetage T (BSP)	L1	L2	L3	CH
UNIVERSELLE	350	66.101.80.200402	6	1/4"	7/16"-20	1/8"	22,50	8,0	14,0	14
		66.101.80.200404	6	1/4"	7/16"-20	1/4"	22,50	11,0	14,0	19
		66.101.80.200406	6	1/4"	7/16"-20	3/8"	23,50	12,0	14,0	22
		66.101.80.200408	6	1/4"	7/16"-20	1/2"	23,50	14,0	14,0	27
		66.101.80.200502	8	5/16"	1/2"-20	1/8"	22,50	8,0	14,0	14
		66.101.80.200504	8	5/16"	1/2"-20	1/4"	22,50	11,0	14,0	19
		66.101.80.200506	8	5/16"	1/2"-20	3/8"	23,50	12,0	14,0	22
		66.101.80.200508	8	5/16"	1/2"-20	1/2"	23,50	14,0	14,0	27
		66.101.80.200602	10	3/8"	9/16"-18	1/8"	23,40	8,0	14,1	17
		66.101.80.200604	10	3/8"	9/16"-18	1/4"	23,40	11,0	14,1	19
		66.101.80.200606	10	3/8"	9/16"-18	3/8"	23,60	12,0	14,1	22
		66.101.80.200608	10	3/8"	9/16"-18	1/2"	23,60	14,0	14,1	27
		66.101.80.200804	12	1/2"	3/4"-16	1/4"	25,80	12,0	16,7	22
		66.101.80.200806	12	1/2"	3/4"-16	3/8"	26,20	12,0	16,7	22
		66.101.80.200808	12	1/2"	3/4"-16	1/2"	26,20	14,0	16,7	27
		66.101.80.200812	12	1/2"	3/4"-16	3/4"	27,70	16,0	16,7	32
	66.101.80.201006	14-15-16	5/8"	7/8"-14	3/8"	30,20	12,0	19,3	24	
	66.101.80.201008	14-15-16	5/8"	7/8"-14	1/2"	30,20	14,0	19,3	27	
	66.101.80.201012	14-15-16	5/8"	7/8"-14	3/4"	30,70	16,0	19,3	32	
	66.101.80.201016	14-15-16	5/8"	7/8"-14	1"	32,30	19,0	19,3	41	
	66.101.80.201206	18-20	3/4"	1"1/16-12	3/8"	34,60	12,0	21,9	30	
	66.101.80.201208	18-20	3/4"	1"1/16-12	1/2"	34,60	14,0	21,9	30	
	66.101.80.201212	18-20	3/4"	1"1/16-12	3/4"	35,10	16,0	21,9	32	
	66.101.80.201216	18-20	3/4"	1"1/16-12	1"	35,10	19,0	21,9	41	
	66.101.80.201220	18-20	3/4"	1"1/16-12	1"1/4	35,10	20,0	21,9	50	
	66.101.80.201612	25	1"	1"5/16-12	3/4"	35,90	16,0	23,1	36	
	66.101.80.201616	25	1"	1"5/16-12	1"	36,10	19,0	23,1	41	
	66.101.80.201620	25	1"	1"5/16-12	1"1/4	36,10	20,0	23,1	50	
	66.101.80.201624	25	1"	1"5/16-12	1"1/2	37,60	20,0	23,1	55	
	66.101.80.202016	28-30-32	1"1/4	1"5/8-12	1"	39,20	19,0	24,3	46	
	66.101.80.202020	28-30-32	1"1/4	1"5/8-12	1"1/4	39,20	20,0	24,3	50	
	66.101.80.202024	28-30-32	1"1/4	1"5/8-12	1"1/2	39,20	20,0	24,3	55	
66.101.80.202032	28-30-32	1"1/4	1"5/8-12	2"	39,80	24,5	24,3	70		
66.101.80.202416	35-38	1"1/2	1"7/8-12	1"	44,50	19,0	27,5	50		
66.101.80.202420	35-38	1"1/2	1"7/8-12	1"1/4	44,50	20,0	27,5	50		
66.101.80.202424	35-38	1"1/2	1"7/8-12	1"1/2	44,50	20,0	27,5	55		
66.101.80.202432	35-38	1"1/2	1"7/8-12	2"	44,50	24,5	27,5	70		
105	66.101.80.203232	50	2"	2"1/2-12	2"	49,50	24,5	33,9	70	

## Adapteur mâle JIC x mâle gaz cône



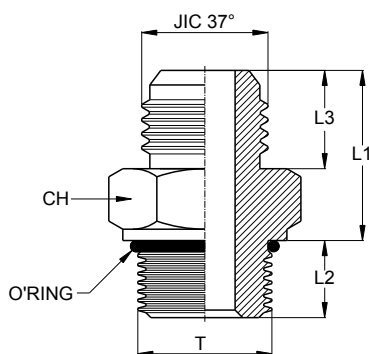
Série	Pression de service (bar)	Code	Ø Ext. Tube Métrique	Ø Ext. Tube Gaz	JIC 37°	Filetage T (Gaz)	L1	L2	L3	CH
UNIVERSELLE	350	66.101.80.260402	6	1/4"	7/16"-20	1/8"	21,0	8,0	14,0	14
		66.101.80.260404	6	1/4"	7/16"-20	1/4"	21,0	13,0	14,0	14
		66.101.80.260408	6	1/4"	7/16"-20	1/2"	23,5	17,0	14,0	22
		66.101.80.260502	8	5/16"	1/2"-20	1/8"	21,0	8,0	14,0	14
		66.101.80.260504	8	5/16"	1/2"-20	1/4"	21,0	13,0	14,0	14
		66.101.80.260506	8	5/16"	1/2"-20	3/8"	22,5	14,0	14,0	19
		66.101.80.260602	10	3/8"	9/16"-18	1/8"	21,9	8,0	14,1	17
		66.101.80.260604	10	3/8"	9/16"-18	1/4"	21,9	13,0	14,1	17
		66.101.80.260606	10	3/8"	9/16"-18	3/8"	22,6	14,0	14,1	19
		66.101.80.260608	10	3/8"	9/16"-18	1/2"	23,6	17,0	14,1	22
		66.101.80.260804	12	1/2"	3/4"-16	1/4"	24,3	13,0	16,7	22
		66.101.80.260806	12	1/2"	3/4"-16	3/8"	25,2	14,0	16,7	22
		66.101.80.260808	12	1/2"	3/4"-16	1/2"	26,2	17,0	16,7	22
		66.101.80.260812	12	1/2"	3/4"-16	3/4"	26,7	17,5	16,7	27
		66.101.80.261006	14-15-16	5/8"	7/8"-14	3/8"	28,7	14,0	19,3	24
		66.101.80.261008	14-15-16	5/8"	7/8"-14	1/2"	28,8	17,0	19,3	24
	66.101.80.261012	14-15-16	5/8"	7/8"-14	3/4"	29,3	17,5	19,3	27	
	66.101.80.261208	18-20	3/4"	1"1/16-12	1/2"	33,1	17,0	21,9	30	
	66.101.80.261212	18-20	3/4"	1"1/16-12	3/4"	33,1	17,5	21,9	30	
	66.101.80.261216	18-20	3/4"	1"1/16-12	1"	33,1	22,0	21,9	36	
	66.101.80.261612	25	1"	1"5/16-12	3/4"	33,9	17,5	23,1	36	
	66.101.80.261616	25	1"	1"5/16-12	1"	34,1	22,0	23,1	36	
	66.101.80.261620	25	1"	1"5/16-12	1"1/4	34,1	24,0	23,1	46	
	66.101.80.261624	25	1"	1"5/16-12	1"1/2	34,6	24,0	23,1	50	
	66.101.80.262016	28-30-32	1"1/4	1"5/8-12	1"	37,2	22,0	24,3	46	
	66.101.80.262020	28-30-32	1"1/4	1"5/8-12	1"1/4	37,2	24,0	24,3	46	
	66.101.80.262024	28-30-32	1"1/4	1"5/8-12	1"1/2	37,2	24,0	24,3	50	
	66.101.80.262420	35-38	1"1/2	1"7/8-12	1"1/4	42,5	24,0	27,5	50	
66.101.80.262424	35-38	1"1/2	1"7/8-12	1"1/2	42,5	24,0	27,5	50		
105	66.101.80.263232	50	2"	2"1/2-12	2"	52,6	25,0	33,9	65	



Série	Pression de service (bar)	Code	Ø Ext. Tube Métrique	Ø Ext. Tube Gaz	JIC 37°	Filetage T (NPT)	L1	L2	L3	CH
UNIVERSELLE	350	66.101.80.250402	6	1/4"	7/16"-20	1/8"	21,0	10,0	14,0	14
		66.101.80.250404	6	1/4"	7/16"-20	1/4"	21,0	14,0	14,0	14
		66.101.80.250406	6	1/4"	7/16"-20	3/8"	22,5	14,0	14,0	19
		66.101.80.250408	6	1/4"	7/16"-20	1/2"	23,5	19,0	14,0	22
		66.101.80.250502	8	5/16"	1/2"-20	1/8"	21,0	10,0	14,0	14
		66.101.80.250504	8	5/16"	1/2"-20	1/4"	21,0	14,0	14,0	14
		66.101.80.250506	8	5/16"	1/2"-20	3/8"	22,5	14,0	14,0	19
		66.101.80.250602	10	3/8"	9/16"-18	1/8"	21,9	10,0	14,1	17
		66.101.80.250604	10	3/8"	9/16"-18	1/4"	21,9	14,0	14,1	17
		66.101.80.250606	10	3/8"	9/16"-18	3/8"	22,6	14,0	14,1	19
		66.101.80.250608	10	3/8"	9/16"-18	1/2"	23,6	19,0	14,1	22
		66.101.80.250804	12	1/2"	3/4"-16	1/4"	24,3	14,0	16,7	22
		66.101.80.250806	12	1/2"	3/4"-16	3/8"	25,2	14,0	16,7	22
		66.101.80.250808	12	1/2"	3/4"-16	1/2"	26,2	19,0	16,7	22
		66.101.80.250812	12	1/2"	3/4"-16	3/4"	26,7	19,0	16,7	27
	66.101.80.251006	14-15-16	5/8"	7/8"-14	3/8"	28,7	14,0	19,3	24	
	66.101.80.251008	14-15-16	5/8"	7/8"-14	1/2"	28,8	19,0	19,3	24	
	66.101.80.251012	14-15-16	5/8"	7/8"-14	3/4"	29,3	19,0	19,3	27	
	66.101.80.251206	18-20	3/4"	1"1/16-12	3/8"	33,1	19,0	21,9	30	
	66.101.80.251208	18-20	3/4"	1"1/16-12	1/2"	33,1	19,0	21,9	30	
	66.101.80.251212	18-20	3/4"	1"1/16-12	3/4"	33,1	19,0	21,9	30	
	66.101.80.251216	18-20	3/4"	1"1/16-12	1"	33,1	24,0	21,9	36	
	66.101.80.251612	25	1"	1"5/16-12	3/4"	33,9	19,0	23,1	36	
	66.101.80.251616	25	1"	1"5/16-12	1"	34,1	24,0	23,1	36	
	66.101.80.251620	25	1"	1"5/16-12	1"1/4	34,1	24,5	23,1	46	
	66.101.80.251624	25	1"	1"5/16-12	1"1/2	34,6	25,0	23,1	50	
	66.101.80.252016	28-30-32	1"1/4	1"5/8-12	1"	37,2	24,0	24,3	46	
	66.101.80.252020	28-30-32	1"1/4	1"5/8-12	1"1/4	37,2	24,5	24,3	46	
	66.101.80.252024	28-30-32	1"1/4	1"5/8-12	1"1/2	37,2	25,0	24,3	50	
	66.101.80.252420	35-38	1"1/2	1"7/8-12	1"1/4	42,5	24,5	27,5	50	
66.101.80.252424	35-38	1"1/2	1"7/8-12	1"1/2	42,5	25,0	27,5	50		
105	66.101.80.253232	50	2"	2"1/2-12	2"	52,6	26,0	33,9	65	

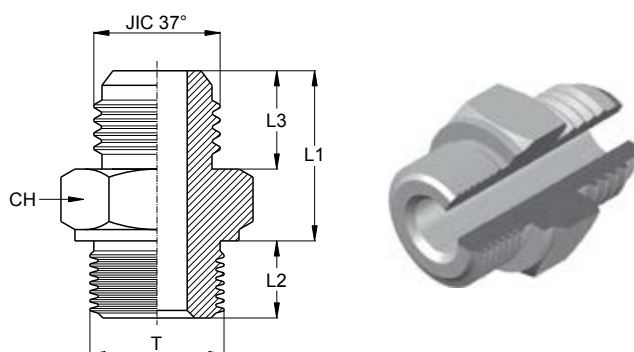
## RACCORDS ET ADAPTEURS INOX JIC - SAE J514 - Iso 8434-2

### Adapteur mâle JIC x mâle UNF/UN-2A avec joint O-ring



Série	Pression de service (bar)	Code	Ø Ext. Tube Métrique	Ø Ext. Tube Gaz	JIC 37°	Filetage T (UNF)	L1	L2	L3	CH
UNIVERSELLE	400	66.101.80.210404	6	1/4"	7/16"-20	7/16"-20	21,9	9,1	14,0	14
		66.101.80.210405	6	1/4"	7/16"-20	1/2"-20	21,9	9,1	14,0	17
	350	66.101.80.210406	6	1/4"	7/16"-20	9/16"-18	23,0	10,0	14,0	17
		66.101.80.210408	6	1/4"	7/16"-20	3/4"-16	23,9	11,1	14,0	22
	400	66.101.80.210505	8	5/16"	1/2"-20	1/2"-20	21,9	9,1	14,0	17
	350	66.101.80.210506	8	5/16"	1/2"-20	9/16"-18	23,0	10,0	14,0	17
		66.101.80.210604	10	3/8"	9/16"-18	7/16"-20	22,9	9,1	14,1	17
		66.101.80.210605	10	3/8"	9/16"-18	1/2"-20	22,9	9,1	14,1	17
		66.101.80.210606	10	3/8"	9/16"-18	9/16"-18	23,0	10,0	14,1	17
		66.101.80.210608	10	3/8"	9/16"-18	3/4"-16	23,9	11,1	14,1	22
		66.101.80.210610	10	3/8"	9/16"-18	7/8"-14	25,3	12,7	14,1	27
		66.101.80.210806	12	1/2"	3/4"-16	9/16"-18	26,5	10,0	16,7	22
		66.101.80.210808	12	1/2"	3/4"-16	3/4"-16	26,4	11,1	16,7	22
		66.101.80.210810	12	1/2"	3/4"-16	7/8"-14	27,8	12,7	16,7	27
		66.101.80.210812	12	1/2"	3/4"-16	1"1/16-12	29,9	15,1	16,7	32
		66.101.80.211008	14-15-16	5/8"	7/8"-14	3/4"-16	30,4	11,1	19,3	24
		66.101.80.211010	14-15-16	5/8"	7/8"-14	7/8"-14	30,3	12,7	19,3	27
		66.101.80.211012	14-15-16	5/8"	7/8"-14	1"1/16-12	32,4	15,1	19,3	32
		66.101.80.211208	18-20	3/4"	1"1/16-12	3/4"-16	33,9	11,1	21,9	30
		66.101.80.211210	18-20	3/4"	1"1/16-12	7/8"-14	33,8	12,7	21,9	30
		66.101.80.211212	18-20	3/4"	1"1/16-12	1"1/16-12	34,9	15,1	21,9	32
	290	66.101.80.211216	18-20	3/4"	1"1/16-12	1"5/16-12	35,4	15,1	21,9	41
		66.101.80.211610	25	1"	1"5/16-12	7/8"-14	36,3	12,7	23,1	36
		66.101.80.211612	25	1"	1"5/16-12	1"1/16-12	36,4	15,1	23,1	36
	240	66.101.80.211616	25	1"	1"5/16-12	1"5/16-12	36,4	15,1	23,1	41
		66.101.80.211620	25	1"	1"5/16-12	1"5/8-12	38,9	15,1	23,1	50
		66.101.80.212016	28-30-32	1"1/4	1"5/8-12	1"5/16-12	38,9	15,1	24,3	46
		66.101.80.212020	28-30-32	1"1/4	1"5/8-12	1"5/8-12	39,9	15,1	24,3	50
		66.101.80.212420	35-38	1"1/2	1"7/8-12	1"5/8-12	42,9	15,1	27,5	50
	66.101.80.212424	35-38	1"1/2	1"7/8-12	1"7/8-12	44,9	15,1	27,5	55	

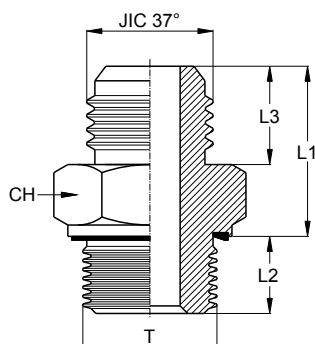
## Adaptateur mâle JIC x mâle métrique



Série	Pression de service (bar)	Code	Ø Ext. Tube Métrique	Ø Ext. Tube Gaz	JIC 37°	Filetage T (métrique)	L1	L2	L3	CH
UNIVERSELLE	350	66.101.80.230410	6	1/4"	7/16"-20	10x1	22,0	8,0	14,0	14
		66.101.80.230412	6	1/4"	7/16"-20	12x1,5	22,5	12,0	14,0	17
		66.101.80.230510	8	5/16"	1/2"-20	10x1	22,0	8,0	14,0	14
		66.101.80.230512	8	5/16"	1/2"-20	12x1,5	22,5	12,0	14,0	17
		66.101.80.230514	8	5/16"	1/2"-20	14x1,5	22,5	12,0	14,0	19
		66.101.80.230614	10	3/8"	9/16"-18	14x1,5	23,4	12,0	14,1	19
		66.101.80.230616	10	3/8"	9/16"-18	16x1,5	23,4	12,0	14,1	22
		66.101.80.230814	12	1/2"	3/4"-16	14x1,5	25,8	12,0	16,7	19
		66.101.80.230816	12	1/2"	3/4"-16	16x1,5	25,8	12,0	16,7	22
		66.101.80.231022	14-15-16	5/8"	7/8"-14	22x1,5	30,8	14,0	19,3	27
	66.101.80.231222	18-20	3/4"	1"1/16-12	22x1,5	34,6	14,0	21,9	27	
	66.101.80.231227	18-20	3/4"	1"1/16-12	27x2	32,5	16,0	21,9	32	
	290	66.101.80.231627	25	1"	1"5/16-12	27x2	34,5	16,0	23,1	32
	66.101.80.231633	25	1"	1"5/16-12	33x2	34,5	18,0	23,1	41	
	240	66.101.80.232042	28-30-32	1"1/4	1"5/8-12	42x2	38,0	20,0	24,3	50
	66.101.80.232448	35-38	1"1/2	1"7/8-12	48x2	41,5	22,0	27,5	55	

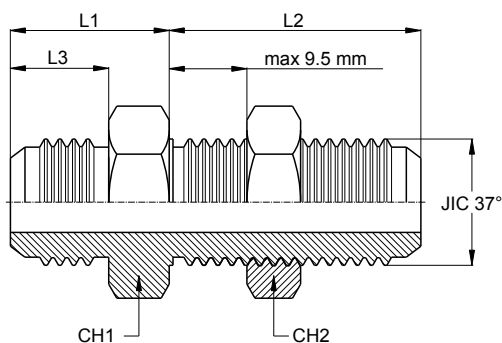


## Adapteur mâle JIC x mâle métrique avec joint encastré



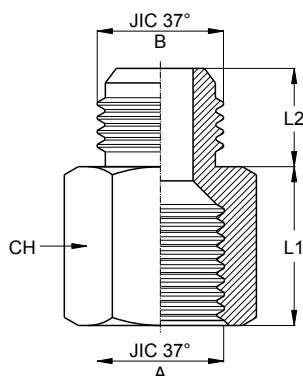
Série	Pression de service (bar)	Code	Ø Ext. Tube Métrique	Ø Ext. Tube Gaz	JIC 37°	Filetage T (métrique)	L1	L2	L3	CH
UNIVERSELLE	350	66.101.80.240410	6	1/4"	7/16"-20	10x1	22,0	8,0	14,0	14
		66.101.80.240412	6	1/4"	7/16"-20	12x1,5	22,5	12,0	14,0	17
		66.101.80.240510	8	5/16"	1/2"-20	10x1	22,0	8,0	14,0	14
		66.101.80.240512	8	5/16"	1/2"-20	12x1,5	22,5	12,0	14,0	17
		66.101.80.240514	8	5/16"	1/2"-20	14x1,5	22,5	12,0	14,0	19
		66.101.80.240614	10	3/8"	9/16"-18	14x1,5	23,4	12,0	14,1	19
		66.101.80.240616	10	3/8"	9/16"-18	16x1,5	23,4	12,0	14,1	22
		66.101.80.240814	12	1/2"	3/4"-16	14x1,5	25,8	12,0	16,7	19
		66.101.80.240816	12	1/2"	3/4"-16	16x1,5	25,8	12,0	16,7	22
		66.101.80.241022	14-15-16	5/8"	7/8"-14	22x1,5	30,8	14,0	19,3	27
	66.101.80.241222	18-20	3/4"	1"1/16-12	22x1,5	34,6	14,0	21,9	27	
	66.101.80.241227	18-20	3/4"	1"1/16-12	27x2	32,5	16,0	21,9	32	
	290	66.101.80.241627	25	1"	1"5/16-12	27x2	34,5	16,0	23,1	32
	66.101.80.241633	25	1"	1"5/16-12	33x2	34,5	18,0	23,1	41	
240	66.101.80.242042	28-30-32	1"1/4	1"5/8-12	42x2	38,0	20,0	24,3	50	
66.101.80.242448	35-38	1"1/2	1"7/8-12	48x2	41,5	22,0	27,5	55		



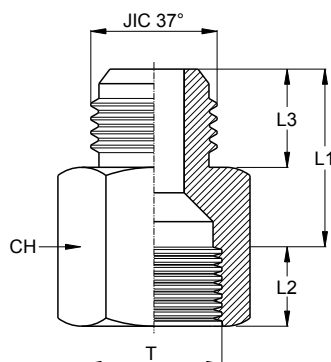


Série	Pression de service (bar)	Code	Ø Ext. Tube métrique	Ø Ext. Tube Gaz	JIC 37°	L1	L2	L3	CH1	CH2
UNIVERSELLE	450	66.101.80.530404	6	1/4"	7/16"-20	21,0	31,5	14,0	17	17
		66.101.80.530505	8	5/16"	1/2"-20	21,0	31,5	14,0	19	19
	350	66.101.80.530606	10	3/8"	9/16"-18	21,9	33,5	14,1	22	22
		66.101.80.530808	12	1/2"	3/4"-16	24,3	37,6	16,7	24	24
		66.101.80.531010	14-15-16	5/8"	7/8"-14	28,7	41,1	19,3	30	30
		66.101.80.531212	18-20	3/4"	1"1/16-12	33,1	45,4	21,9	36	36
	290	66.101.80.531616	25	1"	1"5/16-12	33,9	45,5	23,1	41	41
	240	66.101.80.532020	28-30-32	1"1/4	1"5/8-12	37,2	46,7	24,3	50	50
		66.101.80.532424	35-38	1"1/2	1"7/8-12	42,5	47,0	27,5	55	55
	105	66.101.80.533232	50	2"	2"1/2-12	52,6	53,0	33,9	65	70

## Union mâle JIC x femelle JIC

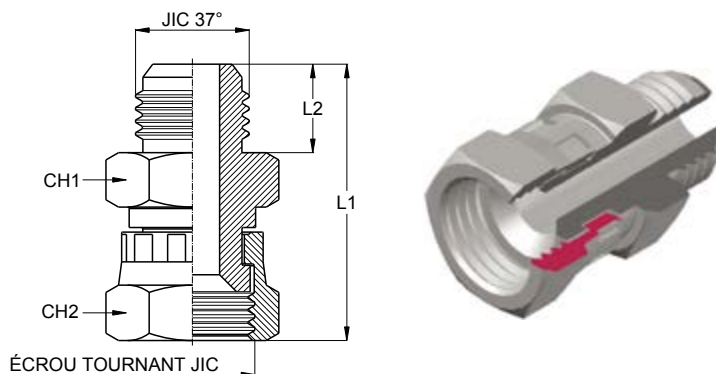


Série	Pression de service (bar)	Code	Ø Ext. Tube A Métrique	Ø Ext. Tube B Métrique	Ø Ext. Tube A Gaz	Ø Ext. Tube B Gaz	JIC 37° A	JIC 37° B	L1	L2	CH
UNIVERSELLE	350	66.101.80.310604	10	6	3/8"	1/4"	9/16"-18	7/16"-20	19,0	14,0	19
		66.101.80.310804	12	6	1/2"	1/4"	3/4"-16	7/16"-20	21,9	14,0	22
		66.101.80.310805	12	8	1/2"	5/16"	3/4"-16	1/2"-20	21,9	14,0	22
		66.101.80.310806	12	10	1/2"	3/8"	3/4"-16	9/16"-18	21,8	14,1	22
		66.101.80.311004	14-15-16	6	5/8"	1/4"	7/8"-14	7/16"-20	25,2	14,0	27
		66.101.80.311005	14-15-16	8	5/8"	5/16"	7/8"-14	1/2"-20	25,2	14,0	27
		66.101.80.311006	14-15-16	10	5/8"	3/8"	7/8"-14	9/16"-18	25,1	14,1	27
		66.101.80.311204	18-20	6	3/4"	1/4"	1"1/16-12	7/16"-20	26,4	14,0	32
		66.101.80.311205	18-20	8	3/4"	5/16"	1"1/16-12	1/2"-20	26,4	14,0	32
	66.101.80.311206	18-20	10	3/4"	3/8"	1"1/16-12	9/16"-18	26,3	14,1	32	
	66.101.80.311207	18-20	12	3/4"	1/2"	1"1/16-12	3/4"-16	26,2	16,7	32	
	290	66.101.80.311604	25	6	1"	1/4"	1"5/16-12	7/16"-20	29,3	14,0	41
		66.101.80.311605	25	8	1"	5/16"	1"5/16-12	1/2"-20	29,3	14,0	41
		66.101.80.311606	25	10	1"	3/8"	1"5/16-12	9/16"-18	29,2	14,1	41
		66.101.80.311608	25	12	1"	1/2"	1"5/16-12	3/4"-16	28,6	16,7	41
		66.101.80.311610	25	14-15-16	1"	5/8"	1"5/16-12	7/8"-14	24,5	19,3	41
		66.101.80.311612	25	18-20	1"	3/4"	1"5/16-12	1"1/16-12	28,9	21,9	41
	240	66.101.80.312004	28-30-32	6	1"1/4	1/4"	1"5/8-12	7/16"-20	31,8	14,0	50
		66.101.80.312005	28-30-32	8	1"1/4	5/16"	1"5/8-12	1/2"-20	31,8	14,0	50
		66.101.80.312006	28-30-32	10	1"1/4	3/8"	1"5/8-12	9/16"-18	31,7	14,1	50
		66.101.80.312008	28-30-32	12	1"1/4	1/2"	1"5/8-12	3/4"-16	31,6	16,7	50
		66.101.80.312010	28-30-32	14-15-16	1"1/4	5/8"	1"5/8-12	7/8"-14	31,5	19,3	50
		66.101.80.312012	28-30-32	18-20	1"1/4	3/4"	1"5/8-12	1"1/16-12	31,4	21,9	50
		66.101.80.312016	28-30-32	25	1"1/4	1"	1"5/8-12	1"5/16-12	31,7	23,1	50
		66.101.80.312404	35-38	6	1"1/2	1/4"	1"7/8-12	7/16"-20	36,4	14,0	60
		66.101.80.312405	35-38	8	1"1/2	5/16"	1"7/8-12	1/2"-20	36,4	14,0	60
		66.101.80.312406	35-38	10	1"1/2	3/8"	1"7/8-12	9/16"-18	36,3	14,1	60
		66.101.80.312408	35-38	12	1"1/2	1/2"	1"7/8-12	3/4"-16	36,2	16,7	60
		66.101.80.312410	35-38	14-15-16	1"1/2	5/8"	1"7/8-12	7/8"-14	36,1	19,3	60
		66.101.80.312412	35-38	18-20	1"1/2	3/4"	1"7/8-12	1"1/16-12	36,5	21,9	60
		66.101.80.312416	35-38	25	1"1/2	1"	1"7/8-12	1"5/16-12	36,3	23,1	60
		66.101.80.312420	35-38	28-30-32	1"1/2	1"1/4	1"7/8-12	1"5/8-12	36,2	24,3	60



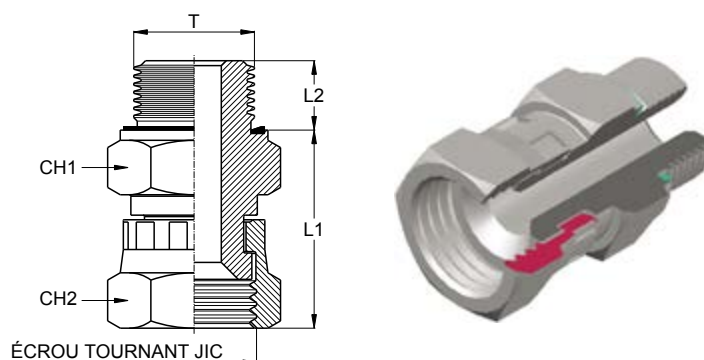
Série	Pression de service (bar)	Code	Ø Ext. Tube métrique	Ø Ext. Tube Gaz	JIC 37°	Filetage T (BSP)	L1	L2	L3	CH
UNIVERSELLE	350	66.101.80.290402	6	1/4"	7/16"-20	1/8"	20,0	10,0	14,0	14
		66.101.80.290404	6	1/4"	7/16"-20	1/4"	21,0	13,0	14,0	19
		66.101.80.290502	8	5/16"	1/2"-20	1/8"	20,0	10,0	14,0	14
		66.101.80.290504	8	5/16"	1/2"-20	1/4"	21,0	13,0	14,0	19
		66.101.80.290604	10	3/8"	9/16"-18	1/4"	21,0	13,0	14,1	19
		66.101.80.290606	10	3/8"	9/16"-18	3/8"	22,0	14,0	14,1	22
		66.101.80.290608	10	3/8"	9/16"-18	1/2"	23,5	16,0	14,1	27
		66.101.80.290804	12	1/2"	3/4"-16	1/4"	25,0	13,0	16,7	22
		66.101.80.290806	12	1/2"	3/4"-16	3/8"	25,0	14,0	16,7	22
		66.101.80.290808	12	1/2"	3/4"-16	1/2"	26,0	16,0	16,7	27
		66.101.80.291008	14-15-16	5/8"	7/8"-14	1/2"	28,5	16,0	19,3	27
	66.101.80.291208	18-20	3/4"	1"1/16-12	1/2"	31,0	16,0	21,9	30	
	66.101.80.291212	18-20	3/4"	1"1/16-12	3/4"	32,0	18,0	21,9	30	
	290	66.101.80.291616	25	1"	1"5/16-12	1"	32,5	21,0	23,1	41
240	66.101.80.292016	28-30-32	1"1/4	1"5/8-12	1"	34,0	21,0	24,3	46	
	66.101.80.292020	28-30-32	1"1/4	1"5/8-12	1"1/4	37,0	22,0	24,3	50	
	66.101.80.292420	35-38	1"1/2	1"7/8-12	1"1/4	40,5	22,0	27,5	50	
	66.101.80.292424	35-38	1"1/2	1"7/8-12	1"1/2	40,0	22,0	27,5	55	

## Union mâle JIC x femelle JIC écrou tournant



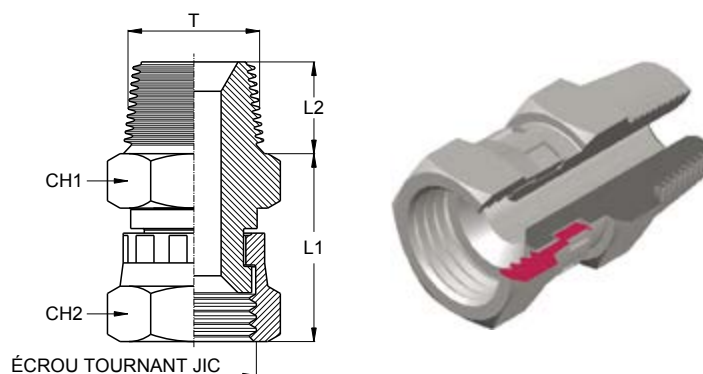
Série	Pression de service (bar)	Code	JIC 37°	JIC 37°	L1	L2	CH1	CH2
UNIVERSELLE	350	66.101.80.310404	7/16"-20	7/16"-20	41,0	14,0	14	17
		66.101.80.310505	1/2"-20	1/2"-20	41,0	14,0	14	17
		66.101.80.310606	9/16"-18	9/16"-18	41,9	14,1	17	19
		66.101.80.310808	3/4"-16	3/4"-16	48,3	16,7	22	24
		66.101.80.311010	7/8"-14	7/8"-14	55,7	19,3	24	27
	66.101.80.311212	1"1/16-12	1"1/16-12	62,1	21,9	27	32	
	290	66.101.80.311616	1"5/16-12	1"5/16-12	65,9	23,1	36	38
	240	66.101.80.312020	1"5/8-12	1"5/8-12	71,2	24,3	46	50
		66.101.80.312424	1"7/8-12	1"7/8-12	80,5	27,5	50	55

## Adaptateur femelle JIC écrou tournant x mâle BSP avec joint encastré



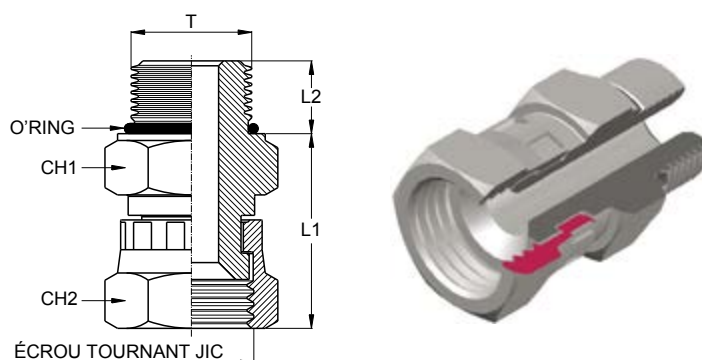
Série	Pression de service (bar)	Code	JIC 37°	Filetage T (BSP)	L1	L2	CH1	CH2
UNIVERSELLE	350	66.101.80.490402	7/16"-20	1/8"	27,5	8,0	14	17
		66.101.80.490404	7/16"-20	1/4"	28,5	11,0	19	17
		66.101.80.490406	7/16"-20	3/8"	29,5	12,0	22	17
		66.101.80.490502	1/2"-20	1/8"	27,5	8,0	14	17
		66.101.80.490504	1/2"-20	1/4"	28,5	11,0	19	17
		66.101.80.490506	1/2"-20	3/8"	29,5	12,0	22	17
		66.101.80.490604	9/16"-18	1/4"	28,5	11,0	19	19
		66.101.80.490606	9/16"-18	3/8"	29,5	12,0	22	19
		66.101.80.490608	9/16"-18	1/2"	29,5	14,0	27	19
		66.101.80.490804	3/4"-16	1/4"	32,5	11,0	19	24
		66.101.80.490806	3/4"-16	3/8"	33,5	12,0	22	24
		66.101.80.490808	3/4"-16	1/2"	33,5	14,0	27	24
		66.101.80.491006	7/8"-14	3/8"	36,5	12,0	22	27
		66.101.80.491008	7/8"-14	1/2"	36,5	14,0	27	27
	66.101.80.491012	7/8"-14	3/4"	38,0	16,0	32	27	
	66.101.80.491208	1"1/16-12	1/2"	38,5	14,0	27	32	
	66.101.80.491212	1"1/16-12	3/4"	40,0	16,0	32	32	
	66.101.80.491216	1"1/16-12	1"	42,0	18,0	41	32	
	66.101.80.491612	1"5/16-12	3/4"	43,0	16,0	32	38	
	66.101.80.491616	1"5/16-12	1"	45,0	18,0	41	38	
	66.101.80.491620	1"5/16-12	1"1/4	45,0	20,0	50	38	
	66.101.80.492016	1"5/8-12	1"	47,0	18,0	41	50	
	66.101.80.492020	1"5/8-12	1"1/4	47,0	20,0	50	50	
	66.101.80.492420	1"7/8-12	1"1/4	51,0	20,0	50	55	
66.101.80.492424	1"7/8-12	1"1/2	52,5	22,0	55	55		

## Adapteur femelle JIC écrou tournant x mâle gaz cône



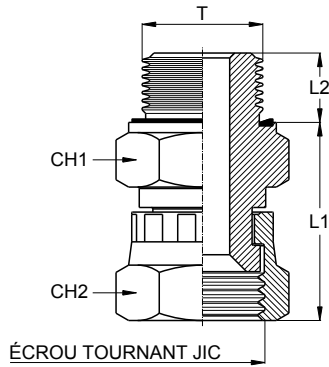
Série	Pression de service (bar)	Code	JIC 37°	Filetage T (Gaz)	L1	L2	CH1	CH2
UNIVERSELLE	350	66.101.80.470402	7/16"-20	1/8"	27,0	8,0	14	17
		66.101.80.470404	7/16"-20	1/4"	27,0	13,0	14	17
		66.101.80.470502	1/2"-20	1/8"	27,0	8,0	14	17
		66.101.80.470504	1/2"-20	1/4"	27,0	13,0	14	17
		66.101.80.470604	9/16"-18	1/4"	27,0	13,0	14	19
		66.101.80.470606	9/16"-18	3/8"	28,5	14,0	19	19
		66.101.80.470804	3/4"-16	1/4"	31,0	13,0	14	24
		66.101.80.470806	3/4"-16	3/8"	32,5	14,0	19	24
		66.101.80.470808	3/4"-16	1/2"	33,5	17,0	22	24
		66.101.80.471006	7/8"-14	3/8"	35,5	14,0	19	27
	66.101.80.471008	7/8"-14	1/2"	36,5	17,0	22	27	
	66.101.80.471012	7/8"-14	3/4"	37,0	17,5	27	27	
	66.101.80.471208	1"1/16-12	1/2"	38,5	17,0	22	32	
	66.101.80.471212	1"1/16-12	3/4"	39,0	17,5	27	32	
	66.101.80.471216	1"1/16-12	1"	40,0	22,0	36	32	
	66.101.80.471612	1"5/16-12	3/4"	42,0	17,5	27	38	
	66.101.80.471616	1"5/16-12	1"	43,0	22,0	36	38	
	66.101.80.472020	1"5/8-12	1"1/4"	45,0	24,0	46	50	
	66.101.80.472424	1"7/8-12	1"1/2"	49,5	24,0	50	55	

## Adapteur femelle JIC écrou tournant x mâle UNF/UN-2A avec joint O-ring



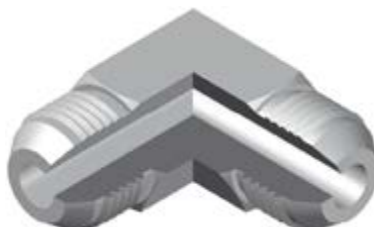
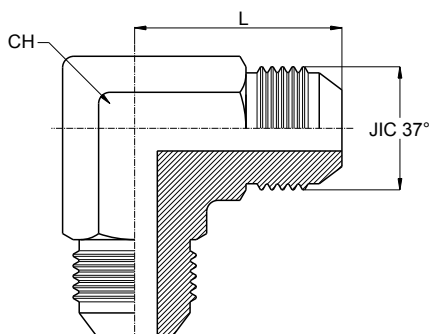
Série	Pression de service (bar)	Code	JIC 37°	Filetage T (UNF)	L1	L2	CH1	CH2
UNIVERSELLE	350	66.101.80.480404	7/16"-20	7/16"-20	28,5	9,1	14	17
		66.101.80.480405	7/16"-20	1/2"-20	28,5	9,1	17	17
		66.101.80.480406	7/16"-20	9/16"-18	29,3	10,0	17	17
		66.101.80.480505	1/2"-20	1/2"-20	28,5	9,1	17	17
		66.101.80.480606	9/16"-18	9/16"-18	29,3	10,0	17	19
		66.101.80.480608	9/16"-18	3/4"-16	29,6	11,1	22	19
		66.101.80.480808	3/4"-16	3/4"-16	33,6	11,1	22	24
		66.101.80.480810	3/4"-16	7/8"-14	35,4	12,7	27	24
		66.101.80.480812	3/4"-16	1"1/16-12	37,2	15,1	32	24
		66.101.80.481008	7/8"-14	3/4"-16	36,6	11,1	22	27
		66.101.80.481010	7/8"-14	7/8"-14	38,4	12,7	27	27
		66.101.80.481012	7/8"-14	1"1/16-12	40,2	15,1	32	27
	66.101.80.481208	1"1/16-12	3/4"-16	38,6	11,1	22	32	
	66.101.80.481210	1"1/16-12	7/8"-14	40,4	12,7	27	32	
	66.101.80.481212	1"1/16-12	1"1/16-12	42,2	15,1	32	32	
	66.101.80.481216	1"1/16-12	1"5/16-12	41,8	15,1	38	32	
	66.101.80.481612	1"5/16-12	1"1/16-12	45,2	15,1	32	38	
	66.101.80.481616	1"5/16-12	1"5/16-12	44,8	15,1	38	38	
	66.101.80.481620	1"5/16-12	1"5/8-12	46,9	15,1	50	38	
	66.101.80.482020	1"5/8-12	1"5/8-12	48,9	15,1	50	50	
66.101.80.482424	1"7/8-12	1"7/8-12	55,0	15,1	55	55		

**Adaptateur femelle JIC écrou tournant x mâle métrique avec joint encastré**



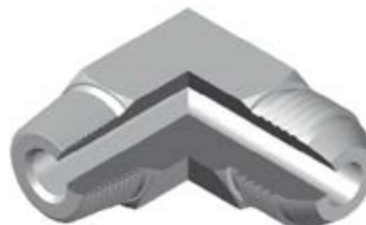
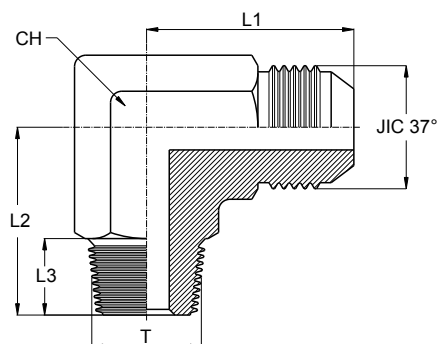
Série	Pression de service (bar)	Code	JIC 37°	Filetage T (métrique)	L1	L2	CH1	CH2
UNIVERSELLE	350	66.101.80.500410	7/16"-20	10x1	27,5	8,0	14	14
		66.101.80.500412	7/16"-20	12x1,5	28,5	8,0	17	14
		66.101.80.500510	1/2"-20	10x1	27,5	8,0	14	17
		66.101.80.500512	1/2"-20	12x1,5	28,5	8,0	17	17
		66.101.80.500514	1/2"-20	14x1,5	28,5	12,0	19	17
		66.101.80.500614	9/16"-18	14x1,5	28,5	12,0	19	19
		66.101.80.500616	9/16"-18	16x1,5	28,5	12,0	22	19
		66.101.80.500816	3/4"-16	16x1,5	32,5	12,0	22	22
		66.101.80.500818	3/4"-16	18x1,5	34,5	12,0	24	22
		66.101.80.501018	7/8"-14	18x1,5	37,5	12,0	24	27
		66.101.80.501020	7/8"-14	20x1,5	38,0	14,0	27	27
		66.101.80.501022	7/8"-14	22x1,5	38,5	14,0	27	27
	66.101.80.501222	1"1/16-12	22x1,5	40,5	14,0	27	32	
	66.101.80.501227	1"1/16-12	27x2	-	16,0	32	32	
	290	66.101.80.501627	1"5/16-12	27x2	-	16,0	32	41
		66.101.80.501633	1"5/16-12	33x2	-	18,0	41	41
240	66.101.80.502042	1"5/8-12	42x2	-	20,0	50	50	
	66.101.80.502448	1"7/8-12	48x2	-	22,0	55	60	



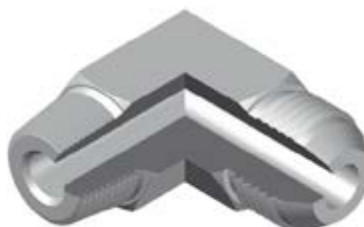
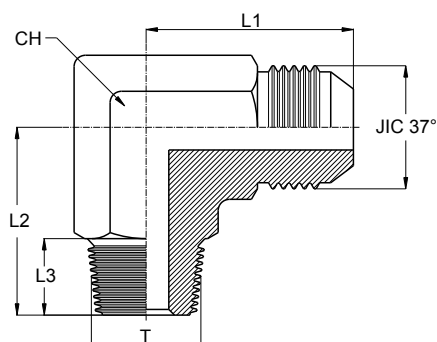


Série	Pression de service (bar)	Code	Ø Ext. Tube Métrique	Ø Ext. Tube Gaz	JIC 37°	L	CH
UNIVERSELLE	450	66.101.84.010404	6	1/4"	7/16"-20	23,0	12
		66.101.84.010505	8	5/16"	1/2"-20	24,0	14
	350	66.101.84.010606	10	3/8"	9/16"-18	27,5	14
		66.101.84.010808	12	1/2"	3/4"-16	32,0	19
		66.101.84.011010	14-15-16	5/8"	7/8"-14	37,0	22
		66.101.84.011212	18-20	3/4"	1"1/16-12	42,0	27
	290	66.101.84.011616	25	1"	1"5/16-12	46,0	33
	240	66.101.84.012020	28-30-32	1"1/4	1"5/8-12	53,0	41
		66.101.84.012424	35-38	1"1/2	1"7/8-12	59,0	50
	105	66.101.84.013232	50	2"	2"1/2-12	77,5	65

## Coude 90° mâle JIC x mâle gaz cône



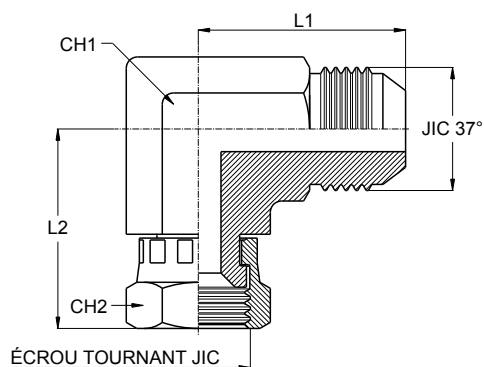
Série	Pression de service (bar)	Code	Ø Ext. Tube Métrique	Ø Ext. Tube Gaz	JIC 37°	Filetage T (Gaz)	L1	L2	L3	CH
UNIVERSELLE	350	66.101.84.120402	6	1/4"	7/16"-20	1/8"	23,0	20,0	8,0	12
		66.101.84.120404	6	1/4"	7/16"-20	1/4"	24,0	28,0	13,0	14
		66.101.84.120502	8	5/16"	1/2"-20	1/8"	24,0	20,0	8,0	12
		66.101.84.120504	8	5/16"	1/2"-20	1/4"	24,0	28,0	13,0	14
		66.101.84.120602	10	3/8"	9/16"-18	1/8"	25,5	20,0	8,0	12
		66.101.84.120604	10	3/8"	9/16"-18	1/4"	27,5	28,0	13,0	14
		66.101.84.120606	10	3/8"	9/16"-18	3/8"	29,5	31,0	14,0	19
		66.101.84.120608	10	3/8"	9/16"-18	1/2"	31,5	37,5	17,0	22
		66.101.84.120804	12	1/2"	3/4"-16	1/4"	32,0	31,0	13,0	14
		66.101.84.120806	12	1/2"	3/4"-16	3/8"	32,0	31,0	14,0	19
		66.101.84.120808	12	1/2"	3/4"-16	1/2"	34,0	37,5	17,0	22
		66.101.84.120812	12	1/2"	3/4"-16	3/4"	36,0	40,0	17,5	27
		66.101.84.121016	14-15-16	5/8"	7/8"-14	3/8"	37,0	31,0	14,0	22
		66.101.84.121018	14-15-16	5/8"	7/8"-14	1/2"	37,0	37,5	17,0	22
	66.101.84.121012	14-15-16	5/8"	7/8"-14	3/4"	39,0	40,0	17,5	27	
	66.101.84.121208	18-20	3/4"	1"1/16-12	1/2"	42,0	37,5	17,0	27	
	66.101.84.121212	18-20	3/4"	1"1/16-12	3/4"	42,0	40,0	17,5	27	
	290	66.101.84.121216	18-20	3/4"	1"1/16-12	1"	45,0	50,0	22,0	33
	66.101.84.121612	25	1"	1"5/16-12	3/4"	46,0	40,0	17,5	27	
	66.101.84.121616	25	1"	1"5/16-12	1"	46,0	50,0	22,0	33	
240	66.101.84.122016	28-30-32	1"1/4	1"5/8-12	1"	53,0	51,0	22,0	33	
66.101.84.122020	28-30-32	1"1/4	1"5/8-12	1"1/4	53,0	60,0	24,0	41		
66.101.84.122424	35-38	1"1/2	1"7/8-12	1"1/2	59,0	67,0	24,0	50		



Série	Pression de service (bar)	Code	Ø Ext. Tube Métrique	Ø Ext. Tube Gaz	JIC 37°	Filetage T (NPT)	L1	L2	L3	CH
UNIVERSELLE	350	66.101.84.110402	6	1/4"	7/16"-20	1/8"	23,0	20,0	10,0	12
		66.101.84.110404	6	1/4"	7/16"-20	1/4"	24,0	28,0	14,0	14
		66.101.84.110406	6	1/4"	7/16"-20	3/8"	29,0	31,0	14,0	19
		66.101.84.110408	6	1/4"	7/16"-20	1/2"	31,0	37,5	19,0	22
		66.101.84.110502	8	5/16"	1/2"-20	1/8"	24,0	20,0	10,0	12
		66.101.84.110504	8	5/16"	1/2"-20	1/4"	24,0	28,0	14,0	14
		66.101.84.110602	10	3/8"	9/16"-18	1/8"	25,5	20,0	10,0	12
		66.101.84.110604	10	3/8"	9/16"-18	1/4"	27,5	28,0	14,0	14
		66.101.84.110606	10	3/8"	9/16"-18	3/8"	29,5	31,0	14,0	19
		66.101.84.110608	10	3/8"	9/16"-18	1/2"	31,5	37,5	19,0	22
		66.101.84.110804	12	1/2"	3/4"-16	1/4"	32,0	31,0	14,0	14
		66.101.84.110806	12	1/2"	3/4"-16	3/8"	32,0	31,0	14,0	19
		66.101.84.110808	12	1/2"	3/4"-16	1/2"	34,0	37,5	19,0	22
		66.101.84.110812	12	1/2"	3/4"-16	3/4"	36,0	40,0	19,0	27
		66.101.84.111006	14-15-16	5/8"	7/8"-14	3/8"	37,0	31,0	14,0	22
		66.101.84.111008	14-15-16	5/8"	7/8"-14	1/2"	37,0	37,5	19,0	22
	66.101.84.111012	14-15-16	5/8"	7/8"-14	3/4"	39,0	40,0	19,0	27	
	66.101.84.111208	18-20	3/4"	1"1/16-12	1/2"	42,0	37,5	19,0	27	
	66.101.84.111212	18-20	3/4"	1"1/16-12	3/4"	42,0	40,0	19,0	27	
	66.101.84.111216	18-20	3/4"	1"1/16-12	1"	45,0	50,0	19,0	33	
	66.101.84.111612	25	1"	1"5/16-12	3/4"	46,0	40,0	19,0	27	
	66.101.84.111616	25	1"	1"5/16-12	1"	46,0	50,0	19,0	33	
	66.101.84.111620	25	1"	1"5/16-12	1"1/4	52,0	60,0	24,0	41	
	66.101.84.112016	28-30-32	1"1/4	1"5/8-12	1"	53,0	51,0	19,0	33	
66.101.84.112020	28-30-32	1"1/4	1"5/8-12	1"1/4	53,0	60,0	24,0	41		
66.101.84.112024	28-30-32	1"1/4	1"5/8-12	1"1/2	55,0	67,0	25,0	50		
66.101.84.112420	35-38	1"1/2	1"7/8-12	1"1/4	59,0	66,0	24,0	41		
66.101.84.112424	35-38	1"1/2	1"7/8-12	1"1/2	59,0	67,0	25,0	50		

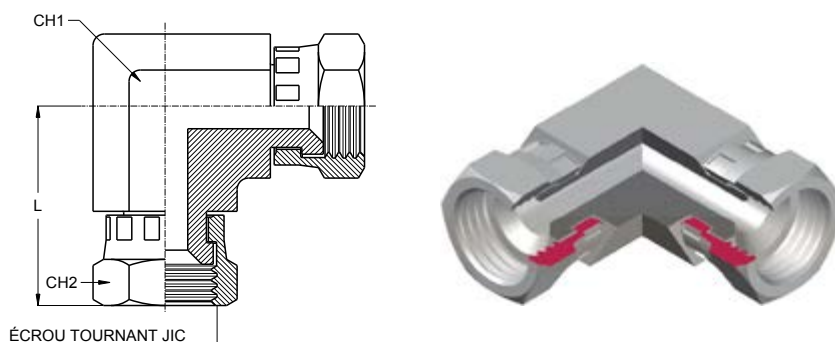
## RACCORDS ET ADAPTEURS INOX JIC - SAE J514 - Iso 8434-2

### Coude 90° mâle JIC x femelle JIC écrou tournant



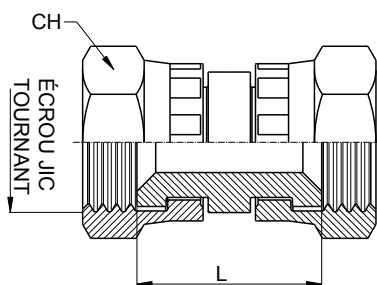
Série	Pression de service (bar)	Code	Ø Ext. Tube Métrique	Ø Ext. Tube Gaz	JIC 37°	L1	L2	CH1	CH2
UNIVERSELLE	450	66.101.84.090404	6	1/4"	7/16"-20	22,5	25,2	12	17
		66.101.84.090505	8	5/16"	1/2"-20	24,0	25,9	14	17
	350	66.101.84.090606	10	3/8"	9/16"-18	27,0	30,8	14	19
		66.101.84.090808	12	1/2"	3/4"-16	32,0	33,9	19	24
		66.101.84.091010	14-15-16	5/8"	7/8"-14	37,0	40,9	22	27
	290	66.101.84.091212	18-20	3/4"	1"1/16-12	42,0	42,1	27	32
		66.101.84.091616	25	1"	1"5/16-12	46,0	49,7	33	38
	240	66.101.84.092020	28-30-32	1"1/4	1"5/8-12	52,5	56,3	41	50
		66.101.84.092424	35-38	1"1/2	1"7/8-12	59,0	64,2	50	55

## Coude égal 90° femelle JIC écrou tournant



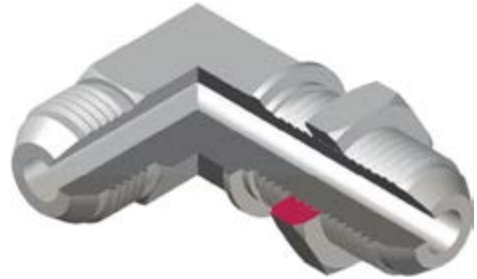
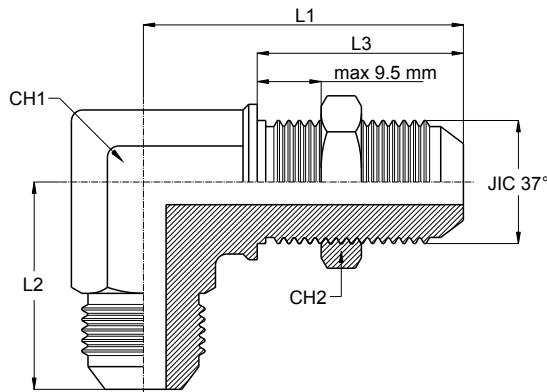
Série	Pression de service (bar)	Code	Ø Ext. Tube Métrique	Ø Ext. Tube Gaz	JIC 37°	L	CH1	CH2
UNIVERSELLE	450	66.101.84.100404	6	1/4"	7/16"-20	25,2	12	17
		66.101.84.100505	8	5/16"	1/2"-20	25,9	14	17
	350	66.101.84.100606	10	3/8"	9/16"-18	30,8	14	19
		66.101.84.100808	12	1/2"	3/4"-16	33,9	19	24
		66.101.84.101010	14-15-16	5/8"	7/8"-14	40,9	22	27
		66.101.84.101212	18-20	3/4"	1"1/16-12	42,1	27	32
	290	66.101.84.101616	25	1"	1"5/16-12	49,7	33	38
	240	66.101.84.102020	28-30-32	1"1/4	1"5/8-12	56,3	41	50
		66.101.84.102424	35-38	1"1/2	1"7/8-12	64,2	50	55

## Adapteur femelle JIC écrou tournant



Série	Pression de service (bar)	Code	Ø Ext. Tube Métrique	Ø Ext. Tube Gaz	JIC 37°	L	CH
UNIVERSELLE	450	66.101.80.570404	6	1/4"	7/16"-20	25,5	17
		66.101.80.570505	8	5/16"	1/2"-20	20,5	17
	350	66.101.80.570606	10	3/8"	9/16"-18	20,5	19
		66.101.80.570808	12	1/2"	3/4"-16	24,5	24
		66.101.80.571010	14-15-16	5/8"	7/8"-14	24,5	27
		66.101.80.571212	18-20	3/4"	1"1/16-12	32,0	32
	290	66.101.80.571616	25	1"	1"5/16-12	35,0	38
	240	66.101.80.572020	28-30-32	1"1/4	1"5/8-12	40,0	50
		66.101.80.572424	35-38	1"1/2	1"7/8-12	41,5	55

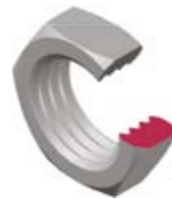
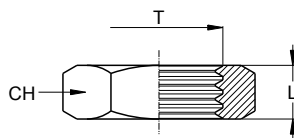
### Coude égal 90° mâle JIC passe cloison avec contre-écrou



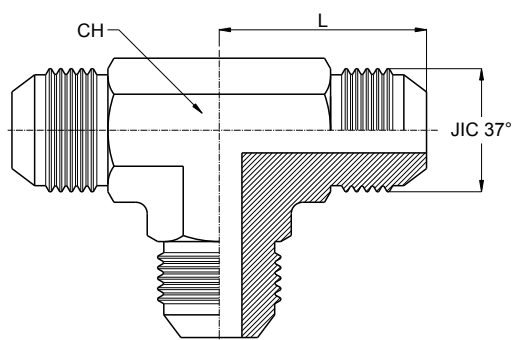
Série	Pression de service (bar)	Code*	Ø Ext. Tube Métrique	Ø Ext. Tube Gaz	JIC 37°	L1	L2	L3	CH1	CH2
UNIVERSELLE	450	66.101.84.130404	6	1/4"	7/16"-20	40,5	24,5	28,3	12	17
		66.101.84.130505	8	5/16"	1/2"-20	43,5	27,0	28,3	14	19
	350	66.101.84.130606	10	3/8"	9/16"-18	46,0	27,5	30,1	14	22
		66.101.84.130808	12	1/2"	3/4"-16	53,5	34,5	35,0	19	24
		66.101.84.131010	14-15-16	5/8"	7/8"-14	60,5	39,5	38,5	22	30
		66.101.84.131212	18-20	3/4"	1"1/16-12	68,0	45,0	42,8	27	36
	290	66.101.84.131616	25	1"	1"5/16-12	71,0	49,5	42,8	33	41
	240	66.101.84.132020	28-30-32	1"1/4	1"5/8-12	79,0	55,0	44,1	41	50
		66.101.84.132424	35-38	1"1/2	1"7/8-12	87,0	59,5	44,3	50	55

\*Fourni avec contre-écrou

### Contre-écrou pour passe cloison JIC

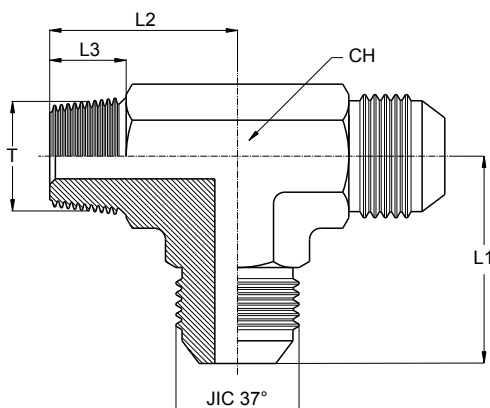


Série	Pression de service (bar)	Code	T	L	CH
UNIVERSELLE	450	66.101.80.990404	7/16"-20	7,1	17
		66.101.80.990505	1/2"-20	7,1	19
	350	66.101.80.990606	9/16"-18	7,1	22
		66.101.80.990808	3/4"-16	7,9	24
		66.101.80.991010	7/8"-14	9,1	30
		66.101.80.991212	1"1/16-12	10,4	36
	290	66.101.80.991616	1"5/16-12	10,4	41
	240	66.101.80.992020	1"5/8-12	10,4	50
		66.101.80.992424	1"7/8-12	10,4	55
	105	66.101.80.993232	2"1/2-12	10,4	70



Série	Pression de service (bar)	Code	Ø Ext. Tube Métrique	Ø Ext. Tube Gaz	JIC 37°	L	CH
UNIVERSELLE	450	66.101.84.510404	6	1/4"	7/16"-20	23,0	12
		66.101.84.510505	8	5/16"	1/2"-20	24,0	14
	350	66.101.84.510606	10	3/8"	9/16"-18	27,5	14
		66.101.84.510808	12	1/2"	3/4"-16	32,0	19
		66.101.84.511010	14-15-16	5/8"	7/8"-14	37,0	22
		66.101.84.511212	18-20	3/4"	1"1/16-12	42,0	27
	290	66.101.84.511616	25	1"	1"5/16-12	46,0	33
	240	66.101.84.512020	28-30-32	1"1/4	1"5/8-12	53,0	41
		66.101.84.512424	35-38	1"1/2	1"7/8-12	59,0	50
	105	66.101.84.513232	50	2"	2"1/2-12	77,5	65

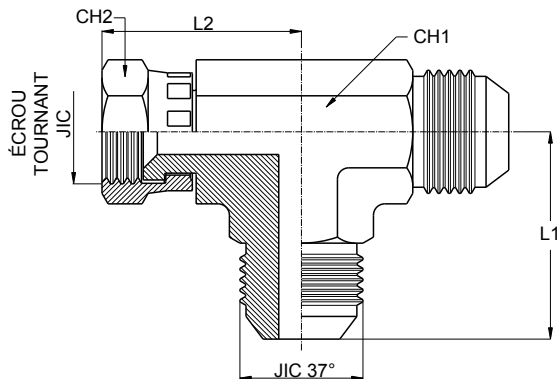
## Té mâle JIC x mâle gaz cône latéral



Série	Pression de service (bar)	Code	Ø Ext. Tube Métrique	Ø Ext. Tube Gaz	JIC 37°	Filetage T (Gaz)	L1	L2	L3	CH
UNIVERSELLE	350	66.101.84.690402	6	1/4"	7/16"-20	1/8"	23,0	20,0	8,0	12
		66.101.84.690404	6	1/4"	7/16"-20	1/4"	24,0	28,0	13,0	14
		66.101.84.690502	8	5/16"	1/2"-20	1/8"	24,0	20,0	8,0	12
		66.101.84.690504	8	5/16"	1/2"-20	1/4"	24,0	28,0	13,0	14
		66.101.84.690604	10	3/8"	9/16"-18	1/4"	27,5	28,0	13,0	14
		66.101.84.690606	10	3/8"	9/16"-18	3/8"	29,5	31,0	14,0	19
		66.101.84.690806	12	1/2"	3/4"-16	3/8"	32,0	31,0	14,0	19
		66.101.84.690808	12	1/2"	3/4"-16	1/2"	34,0	37,5	17,0	22
		66.101.84.691016	14-15-16	5/8"	7/8"-14	3/8"	37,0	31,0	14,0	22
		66.101.84.691018	14-15-16	5/8"	7/8"-14	1/2"	37,0	37,5	17,0	22
	66.101.84.691012	14-15-16	5/8"	7/8"-14	3/4"	39,0	40,0	17,5	27	
	66.101.84.691208	18-20	3/4"	1"1/16-12	1/2"	42,0	37,5	17,0	22	
	66.101.84.691212	18-20	3/4"	1"1/16-12	3/4"	42,0	40,0	17,5	27	
	66.101.84.691612	25	1"	1"5/16-12	3/4"	46,0	40,0	17,5	27	
	66.101.84.691616	25	1"	1"5/16-12	1"	46,0	50,0	22,0	33	
66.101.84.692016	28-30-32	1"1/4	1"5/8-12	1"	53,0	51,0	22,0	33		
66.101.84.692020	28-30-32	1"1/4	1"5/8-12	1"1/4	53,0	60,0	24,0	41		
66.101.84.692424	35-38	1"1/2	1"7/8-12	1"1/2	59,0	67,0	24,0	50		

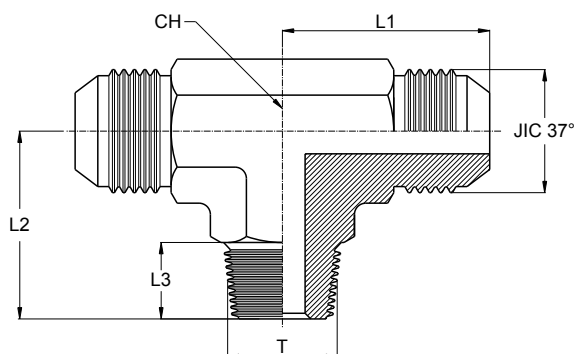


RACCORDS ET ADAPTEURS INOX **JIC** - SAE J514 - Iso 8434-2  
**Té mâle JIC x femelle JIC latérale écrou tournant**

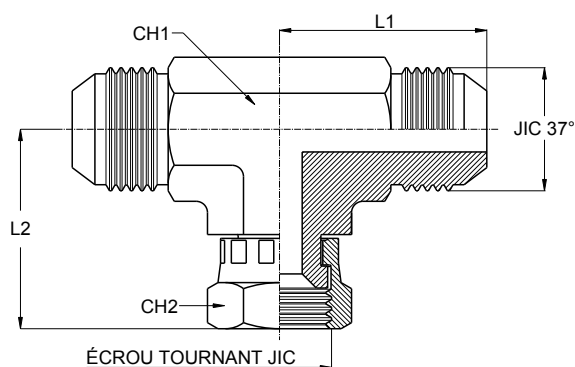


Série	Pression de service (bar)	Code	Ø Ext. Tube Métrique	Ø Ext. Tube Gaz	JIC 37°	L1	L2	CH1	CH2
UNIVERSELLE	450	66.101.84.590404	6	1/4"	7/16"-20	23,0	25,2	12	17
		66.101.84.590505	8	5/16"	1/2"-20	24,0	25,9	14	17
	350	66.101.84.590606	10	3/8"	9/16"-18	27,5	30,8	14	19
		66.101.84.590808	12	1/2"	3/4"-16	32,0	33,9	19	24
		66.101.84.591010	14-15-16	5/8"	7/8"-14	37,0	40,9	22	27
	290	66.101.84.591212	18-20	3/4"	1"1/16-12	42,0	42,1	27	32
		66.101.84.591616	25	1"	1"5/16-12	46,0	49,7	33	38
	240	66.101.84.592020	28-30-32	1"1/4	1"5/8-12	53,0	56,3	41	50
		66.101.84.592424	35-38	1"1/2	1"7/8-12	59,0	64,2	50	55

## Té mâle JIC x mâle gaz cône central

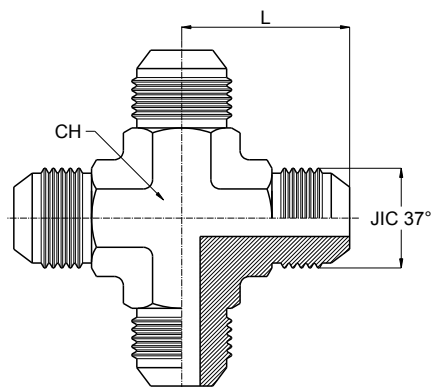


Série	Pression de service (bar)	Code	Ø Ext. Tube Métrique	Ø Ext. Tube Gaz	JIC 37°	Filetage T (Gaz)	L1	L2	L3	CH
UNIVERSELLE	350	66.101.84.670402	6	1/4"	7/16"-20	1/8"	23,0	20,0	8,0	12
		66.101.84.670404	6	1/4"	7/16"-20	1/4"	24,0	28,0	13,0	14
		66.101.84.670502	8	5/16"	1/2"-20	1/8"	24,0	20,0	8,0	12
		66.101.84.670504	8	5/16"	1/2"-20	1/4"	24,0	28,0	13,0	14
		66.101.84.670604	10	3/8"	9/16"-18	1/4"	27,5	28,0	13,0	14
		66.101.84.670606	10	3/8"	9/16"-18	3/8"	29,5	31,0	14,0	19
		66.101.84.670806	12	1/2"	3/4"-16	3/8"	32,0	31,0	14,0	19
		66.101.84.670808	12	1/2"	3/4"-16	1/2"	34,0	37,5	17,0	22
		66.101.84.671006	14-15-16	5/8"	7/8"-14	3/8"	37,0	31,0	14,0	22
		66.101.84.671008	14-15-16	5/8"	7/8"-14	1/2"	37,0	37,5	17,0	22
	66.101.84.671012	14-15-16	5/8"	7/8"-14	3/4"	39,0	40,0	17,5	27	
	66.101.84.671208	18-20	3/4"	1"1/16-12	1/2"	42,0	37,5	17,0	22	
	66.101.84.671212	18-20	3/4"	1"1/16-12	3/4"	42,0	40,0	17,5	27	
	66.101.84.671612	25	1"	1"5/16-12	3/4"	46,0	40,0	17,5	27	
	66.101.84.671616	25	1"	1"5/16-12	1"	46,0	50,0	22,0	33	
	66.101.84.672016	28-30-32	1"1/4	1"5/8-12	1"	53,0	51,0	22,0	33	
	66.101.84.672020	28-30-32	1"1/4	1"5/8-12	1"1/4	53,0	60,0	24,0	41	
	66.101.84.672424	35-38	1"1/2	1"7/8-12	1"1/2	59,0	67,0	24,0	50	



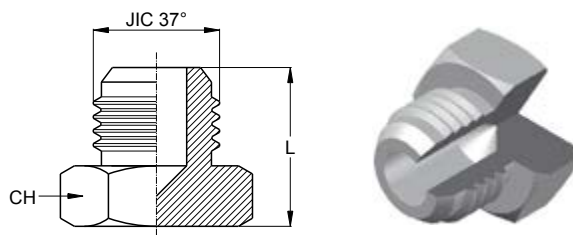
Série	Pression de service (bar)	Code	Ø Ext. Tube Métrique	Ø Ext. Tube Gaz	JIC 37°	L1	L2	CH1	CH2
UNIVERSELLE	450	66.101.84.550404	6	1/4"	7/16"-20	23,0	25,2	12	17
		66.101.84.550505	8	5/16"	1/2"-20	24,0	25,9	14	17
	350	66.101.84.550606	10	3/8"	9/16"-18	27,5	30,8	14	19
		66.101.84.550808	12	1/2"	3/4"-16	32,0	33,9	19	24
		66.101.84.551010	14-15-16	5/8"	7/8"-14	37,0	40,9	22	27
		66.101.84.551212	18-20	3/4"	1"1/16-12	42,0	42,1	27	32
	290	66.101.84.551616	25	1"	1"5/16-12	46,0	49,7	33	38
	240	66.101.84.552020	28-30-32	1"1/4	1"5/8-12	53,0	56,3	41	50
		66.101.84.552424	35-38	1"1/2	1"7/8-12	59,0	64,2	50	55

**Croix égale mâle JIC**



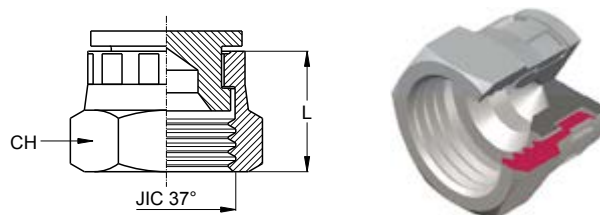
Série	Pression de service (bar)	Code	Ø Ext. Tube Métrique	Ø Ext. Tube Gaz	JIC 37°	L	CH
UNIVERSELLE	450	66.101.300404	6	1/4"	7/16"-20	23,0	12
		66.101.300505	8	5/16"	1/2"-20	24,0	14
	350	66.101.300606	10	3/8"	9/16"-18	27,5	14
		66.101.300808	12	1/2"	3/4"-16	32,0	19
		66.101.301010	14-15-16	5/8"	7/8"-14	37,0	22
		66.101.301212	18-20	3/4"	1"1/16-12	42,0	27
	290	66.101.301616	25	1"	1"5/16-12	46,0	33
	240	66.101.302020	28-30-32	1"1/4	1"5/8-12	53,0	41
		66.101.302424	35-38	1"1/2	1"7/8-12	59,0	50
	105	66.101.303232	50	2"	2"1/2-12	77,5	65

## Bouchon mâle JIC



Série	Pression de service (bar)	Code	Ø Ext. Tube Métrique	Ø Ext. Tube Gaz	JIC 37°	L	CH
UNIVERSELLE	450	66.101.80.450404	6	1/4"	7/16"-20	21,0	14
		66.101.80.450505	8	5/16"	1/2"-20	21,0	14
	350	66.101.80.450606	10	3/8"	9/16"-18	21,9	17
		66.101.80.450808	12	1/2"	3/4"-16	24,3	22
		66.101.80.451010	14-15-16	5/8"	7/8"-14	28,7	24
		66.101.80.451212	18-20	3/4"	1"1/16-12	33,1	30
	290	66.101.80.451616	25	1"	1"5/16-12	33,9	36
	240	66.101.80.452020	28-30-32	1"1/4	1"5/8-12	37,2	46
		66.101.80.452424	35-38	1"1/2	1"7/8-12	42,5	50
	105	66.101.80.453232	50	2"	2"1/2-12	52,6	65

## Bouchon femelle JIC avec écrou tournant



Série	Pression de service (bar)	Code	W	L	CH
UNIVERSELLE	450	66.101.80.430404	7/16"-20	17,0	17
		66.101.80.430505	1/2"-20	17,0	17
	350	66.101.80.430606	9/16"-18	17,0	19
		66.101.80.430808	3/4"-16	21,0	24
		66.101.80.431010	7/8"-14	24,0	27
		66.101.80.431212	1"1/16-12	26,0	32
	290	66.101.80.431616	1"5/16-12	29,0	38
	240	66.101.80.432020	1"5/8-12	31,0	50
		66.101.80.432424	1"7/8-12	35,0	55
	105	66.101.80.433232	2"1/2-12	-	-



# RACCORDS ET ADAPTEURS INOX

---

## BSP - BSI 5200 - Iso 8434-6





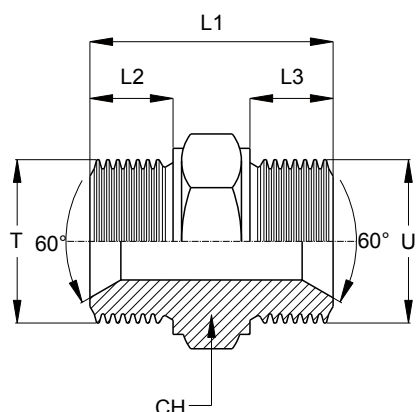


Union double mâle BSP .....	161
Union de réduction mâle BSP .....	162
Union double mâle métrique et union de réduction .....	163
Union double mâle gaz cône et union de réduction .....	164
Union double mâle NPT et union de réduction .....	165
Adapteur mâle BSP x mâle métrique .....	166
Adapteur mâle BSP x Mâle Gaz cône / Réduction .....	167
Adapteur mâle BSP x mâle NPT .....	168
Adapteur mâle gaz cône x mâle NPT .....	169
Union double passe cloison mâle BSP + contre-écrou .....	170
Union double femelle BSP cylindrique et réduction .....	171
Union double femelle métrique .....	172
Union double femelle NPT .....	172
Union double femelle BSP tournant .....	173
Adapteur mâle BSP x femelle BSP .....	174
Adapteur mâle BSP x femelle BSP tournant .....	175
Adapteur mâle BSP x femelle BSP tournant avec joint encastré .....	176
Adapteur mâle gaz cône x femelle BSP tournant .....	177
Coude égal mâle BSP à 90° .....	178
Coude égal mâle gaz cône à 90° .....	179
Coude mâle BSP x mâle gaz cône à 90° .....	180
Coude égal femelle BSP à 90° .....	181
Coude orientable mâle BSP à 90° + joint O-ring .....	182
Coude égal femelle BSP tournant à 90° .....	183
Coude mâle gaz cône x femelle BSP à 90° .....	184
Coude mâle BSP x femelle BSP tournant à 90° .....	185
Coude mâle gaz cône x femelle BSP tournant à 90° .....	186
Té égal mâle BSP .....	187
Té égal femelle BSP .....	188
Té égal femelle BSP tournant .....	189
Té égal mâle gaz cône latéral x femelle BSP .....	190

## Sommaire

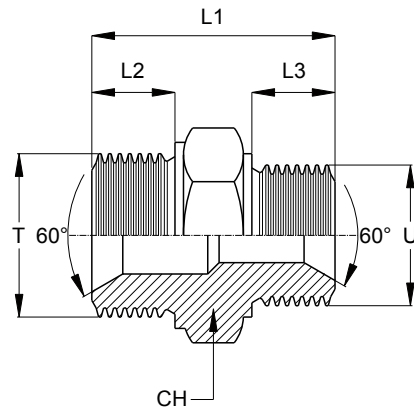
---

Té égal mâle BSP x femelle BSP tournant latérale .....	191
Té égal mâle BSP x femelle BSP tournant centrale .....	192
Croix égale mâle BSP .....	193
Croix égale femelle BSP .....	194
Bouchon mâle BSP .....	195
Bouchon femelle BSP .....	196
Bouchon femelle BSP écrou tournant .....	196

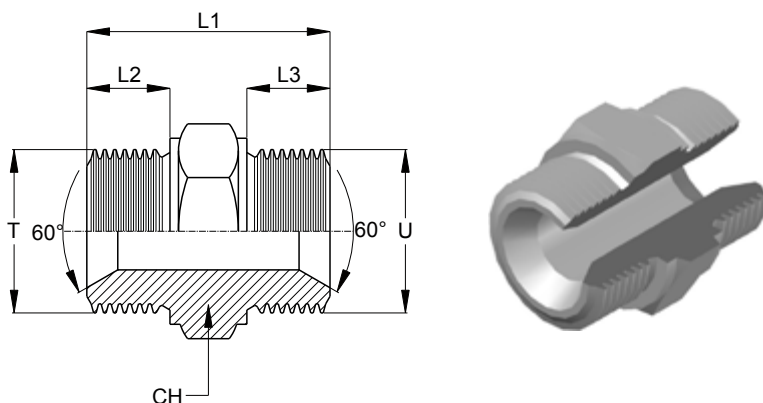


Pression de service (bar)	Code	Filetage T (BSP)	Filetage U (BSP)	L1	L2	L3	CH
400	66.091.40.690202	1/8"	1/8"	25,0	8,0	8,0	14
	66.091.40.690404	1/4"	1/4"	32,0	11,0	11,0	19
	66.091.40.690606	3/8"	3/8"	35,0	12,0	12,0	22
350	66.091.40.690808	1/2"	1/2"	39,0	14,0	14,0	27
	66.091.40.691010	5/8"	5/8"	43,0	16,0	16,0	30
315	66.091.40.691212	3/4"	3/4"	45,0	16,0	16,0	32
250	66.091.40.691616	1"	1"	53,0	19,0	19,0	41
220	66.091.40.692020	1"1/4	1"1/4	55,0	20,0	20,0	50
170	66.091.40.692424	1"1/2	1"1/2	56,5	20,0	20,0	55
125	66.091.40.693232	2"	2"	66,5	24,5	24,5	70
70	66.091.40.694040	2"1/2	2"1/2	69,5	26,0	26,0	80
70	66.091.40.694848	3"	3"	69,5	26,0	26,0	100

## Union de réduction mâle **BSP**



Pression de service (bar)	Code	Filetage T (BSP)	Filetage U (BSP)	L1	L2	L3	CH
400	66.091.40.670402	1/4"	1/8"	29,0	11,0	8,0	19
	66.091.40.670602	3/8"	1/8"	31,0	12,0	8,0	22
	66.091.40.670604	3/8"	1/4"	34,0	12,0	11,0	22
350	66.091.40.670802	1/2"	1/8"	33,0	14,0	8,0	27
	66.091.40.670804	1/2"	1/4"	36,0	14,0	11,0	27
	66.091.40.670806	1/2"	3/8"	38,0	14,0	12,0	27
	66.091.40.671006	5/8"	3/8"	39,0	16,0	12,0	30
	66.091.40.671008	5/8"	1/2"	41,0	16,0	14,0	30
315	66.091.40.671202	3/4"	1/8"	37,0	16,0	8,0	32
	66.091.40.671204	3/4"	1/4"	40,0	16,0	11,0	32
	66.091.40.671206	3/4"	3/8"	41,0	16,0	12,0	32
	66.091.40.671208	3/4"	1/2"	43,0	16,0	14,0	32
	66.091.40.671210	3/4"	5/8"	45,0	16,0	16,0	32
250	66.091.40.671604	1"	1/4"	44,5	19,0	11,0	41
	66.091.40.671606	1"	3/8"	45,5	19,0	12,0	41
	66.091.40.671608	1"	1/2"	47,5	19,0	14,0	41
	66.091.40.671610	1"	5/8"	49,5	19,0	16,0	41
	66.091.40.671612	1"	3/4"	50,0	19,0	16,0	41
220	66.091.40.672008	1"1/4	1/2"	48,5	20,0	14,0	50
	66.091.40.672012	1"1/4	3/4"	51,0	20,0	16,0	50
	66.091.40.672016	1"1/4	1"	54,5	20,0	19,0	50
170	66.091.40.672408	1"1/2	1/2"	50,5	20,0	14,0	55
	66.091.40.672412	1"1/2	3/4"	52,5	20,0	16,0	55
	66.091.40.672416	1"1/2	1"	55,8	20,0	19,0	55
	66.091.40.672420	1"1/2	1"1/4	56,5	20,0	20,0	55
125	66.091.40.673212	2"	3/4"	58,3	24,5	16,0	70
	66.091.40.673216	2"	1"	61,5	24,5	19,0	70
	66.091.40.673220	2"	1"1/4	62,0	24,5	20,0	70
	66.091.40.673224	2"	1"1/2	62,5	24,5	20,0	70
70	66.091.40.674032	2"1/2	2"	68,0	26,0	24,5	80

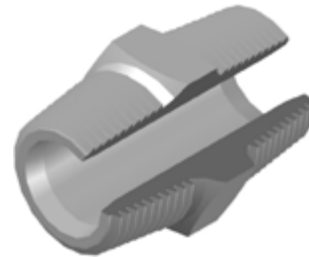
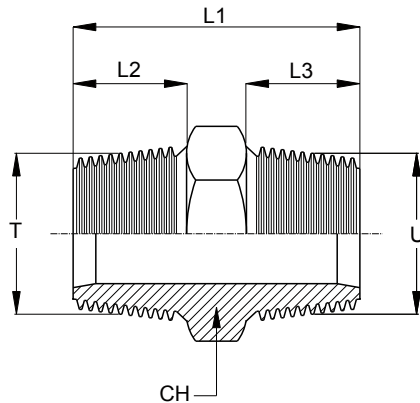


Pression de service (bar)	Code	Filetage T (métrique)	Filetage U (métrique)	L1	L2	L3	CH
400	66.091.40.191212	12x1,5	12x1,5	34,0	12,0	12,0	17
	66.091.40.191414	14x1,5	14x1,5	34,0	12,0	12,0	19
	66.091.40.191616	16x1,5	16x1,5	34,0	12,0	12,0	22
	66.091.40.191818	18x1,5	18x1,5	36,0	12,0	12,0	24
350	66.091.40.192020	20x1,5	20x1,5	40,5	14,0	14,0	27
	66.091.40.192222	22x1,5	22x1,5	41,0	14,0	14,0	27
315	66.091.40.192424	24x1,5	24x1,5	41,0	14,0	14,0	30
	66.091.40.192626	26x1,5	26x1,5	47,0	16,0	16,0	32
250	66.091.40.192828	28x1,5	28x1,5	47,0	16,0	16,0	36
	66.091.40.193030	30x1,5	30x1,5	48,0	16,0	16,0	36
200	66.091.40.193838	38x1,5	38x1,5	50,0	16,0	16,0	46
160	66.091.40.194545	45x1,5	45x1,5	52,0	16,0	16,0	55

**Union de réduction**

400	66.091.40.191214	12x1,5	14x1,5	34,0	12,0	12,0	19
	66.091.40.191416	14x1,5	16x1,5	34,0	12,0	12,0	22
	66.091.40.191418	14x1,5	18x1,5	36,0	12,0	12,0	24
	66.091.40.191618	16x1,5	18x1,5	36,0	12,0	12,0	24
350	66.091.40.191422	14x1,5	22x1,5	39,0	12,0	14,0	27
	66.091.40.191620	16x1,5	20x1,5	38,5	12,0	14,0	27
	66.091.40.191622	16x1,5	22x1,5	39,0	12,0	14,0	27
	66.091.40.191820	18x1,5	20x1,5	38,5	12,0	14,0	27
	66.091.40.192022	20x1,5	22x1,5	41,0	14,0	14,0	27
315	66.091.40.192226	22x1,5	26x1,5	44,5	14,0	16,0	32
250	66.091.40.192630	26x1,5	30x1,5	48,0	16,0	16,0	36
	66.091.40.193018	30x1,5	18x1,5	43,5	16,0	12,0	36
200	66.091.40.193038	30x1,5	38x1,5	50,0	16,0	16,0	46
160	66.091.40.193845	38x1,5	45x1,5	52,0	16,0	16,0	55

## Union double mâle gaz cône et union de réduction

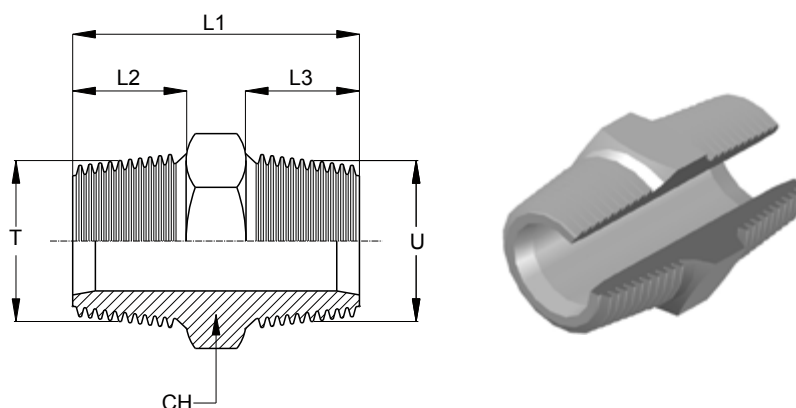


Pression de service (bar)	Code	Filetage T (Gaz)	Filetage U (Gaz)	L1	L2	L3	CH
350	66.051.010202	1/8"	1/8"	23,0	8,0	8,0	14
300	66.051.010404	1/4"	1/4"	32,0	13,0	13,0	14
280	66.051.010606	3/8"	3/8"	36,5	14,0	14,0	19
200	66.051.010808	1/2"	1/2"	43,5	17,0	17,0	22
	66.051.011212	3/4"	3/4"	45,0	17,5	17,5	27
120	66.051.011616	1"	1"	54,0	22,0	22,0	36
105	66.051.012020	1"1/4	1"1/4	59,0	24,0	24,0	46
	66.051.012424	1"1/2	1"1/2	59,5	24,0	24,0	50
70	66.051.013232	2"	2"	62,5	25,0	25,0	65

164

### Union de réduction

300	66.051.010402	1/4"	1/8"	28,0	13,0	8,0	14
280	66.051.010604	3/8"	1/4"	34,5	14,0	13,0	19
200	66.051.010802	1/2"	1/8"	33,5	17,0	8,0	22
	66.051.010804	1/2"	1/4"	38,5	17,0	13,0	22
	66.051.010806	1/2"	3/8"	40,0	17,0	14,0	22
	66.051.010806	3/4"	3/8"	41,5	17,5	14,0	27
	66.051.011208	3/4"	1/2"	45,0	17,5	17,0	27
120	66.051.011608	1"	1/2"	50,0	22,0	17,0	36
	66.051.011612	1"	3/4"	49,0	22,0	17,5	36
105	66.051.012016	1"1/4	1"	57,0	24,0	22,0	46
	66.051.012420	1"1/2	1"1/4	59,5	24,0	24,0	50
70	66.051.013224	2"	1"1/2	64,5	25,0	24,0	65

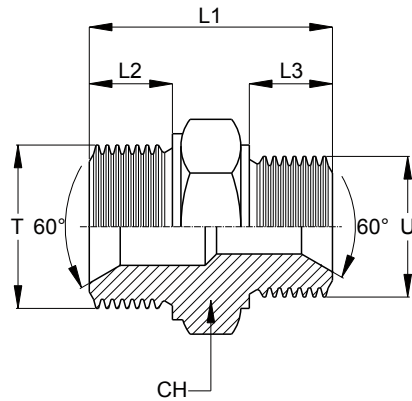


Pression de service (bar)	Code	Filetage T (NPT)	Filetage U (NPT)	L1	L2	L3	CH
350	66.071.010202	1/8"	1/8"	27,0	10,0	10,0	14
	66.071.010404	1/4"	1/4"	35,0	14,0	14,0	14
250	66.071.010606	3/8"	3/8"	36,5	14,0	14,0	19
225	66.071.010808	1/2"	1/2"	46,0	19,0	19,0	22
200	66.071.011212	3/4"	3/4"	48,0	19,0	19,0	27
160	66.071.011616	1"	1"	58,0	24,0	24,0	36
	66.071.012020	1"1/4	1"1/4	60,5	24,5	24,5	46
	66.071.012424	1"1/2	1"1/2	61,0	25,0	25,0	50
100	66.071.013232	2"	2"	65,0	26,0	26,0	65

**Union de réduction**

350	66.071.010402	1/4"	1/8"	31,0	14,0	10,0	14
250	66.071.010602	3/8"	1/8"	32,5	14,0	10,0	19
	66.071.010604	3/8"	1/4"	36,5	14,0	14,0	19
225	66.071.010802	1/2"	1/8"	38,5	19,0	10,0	22
	66.071.010804	1/2"	1/4"	42,5	19,0	14,0	22
	66.071.010806	1/2"	3/8"	41,0	19,0	14,0	22
200	66.071.011206	3/4"	3/8"	41,5	19,0	14,0	27
	66.071.011208	3/4"	1/2"	48,0	19,0	19,0	27
160	66.071.011608	1"	1/2"	49,0	19,0	19,0	36
	66.071.011612	1"	3/4"	49,0	19,0	19,0	36
	66.071.012016	1"1/4	1"	60,0	24,5	19,0	46
	66.071.012420	1"1/2	1"1/4	61,0	25,0	24,5	50
100	66.071.013224	2"	1"1/2	66,5	26,0	25,0	65

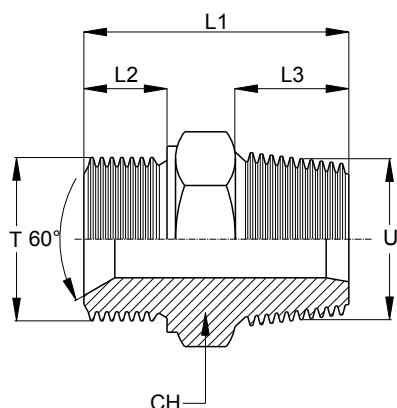
## Adapteur mâle BSP x mâle métrique



Pression de service (bar)	Code	Filetage T (métrique)	Filetage U (BSP)	L1	L2	L3	CH
400	66.091.40.171204	12x1,5	1/4"	32,0	11,0	11,0	19
	66.091.40.171404	14x1,5	1/4"	33,0	12,0	11,0	19
	66.091.40.171606	16x1,5	3/8"	35,0	12,0	12,0	22
350	66.091.40.171608	16x1,5	1/2"	35,5	12,0	14,0	27
400	66.091.40.171806	18x1,5	3/8"	36,0	12,0	12,0	24
350	66.091.40.171808	18x1,5	1/2"	37,0	12,0	14,0	27
	66.091.40.172006	20x1,5	3/8"	38,5	14,0	12,0	27
	66.091.40.172008	20x1,5	1/2"	40,5	14,0	14,0	27
	66.091.40.172206	22x1,5	3/8"	39,0	14,0	12,0	27
	66.091.40.172208	22x1,5	1/2"	41,0	14,0	14,0	27
315	66.091.40.172408	24x1,5	1/2"	41,0	14,0	14,0	27
	66.091.40.172412	24x1,5	3/4"	43,5	14,0	16,0	32
	66.091.40.172612	26x1,5	3/4"	47,0	16,0	16,0	32
250	66.091.40.173012	30x1,5	3/4"	48,0	16,0	16,0	36
	66.091.40.173016	30x1,5	1"	50,0	16,0	19,0	41
200	66.091.40.173816	38x1,5	1"	53,0	16,0	19,0	46
	66.091.40.173820	38x1,5	1"1/4	54,0	16,0	20,0	50
160	66.091.40.174520	45x1,5	1"1/4	56,0	16,0	20,0	55
	66.091.40.174524	45x1,5	1"1/2	56,0	16,0	20,0	55
-	66.091.40.175224	52x1,5	1"1/2	-	-	20,0	-
-	66.091.40.176524	65x2,0	2"	-	-	24,5	-



RACCORDS ET ADAPTEURS INOX **BSP** - BSI 5200 - Iso 8434-6  
**Adaptateur mâle BSP x Mâle Gaz cône et union de réduction**

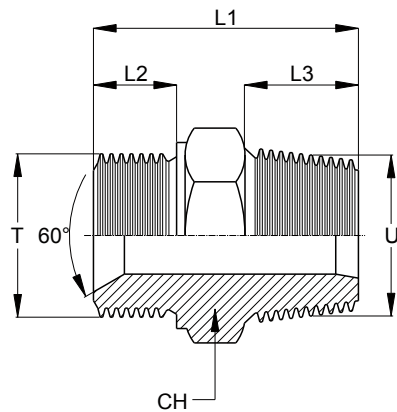


Pression de service (bar)	Code	Filetage T (BSP)	Filetage U (Gaz)	L1	L2	L3	CH
350	66.091.40.680202	1/8"	1/8"	24,5	8,0	8,0	14
300	66.091.40.680404	1/4"	1/4"	32,0	11,0	12,5	19
280	66.091.40.680606	3/8"	3/8"	35,5	12,0	13,9	22
200	66.091.40.680808	1/2"	1/2"	40,5	14,0	17,0	27
	66.091.40.681212	3/4"	3/4"	45,0	16,0	17,5	32
120	66.091.40.681616	1"	1"	54,5	19,0	22,0	41
105	66.091.40.682020	1"1/4	1"1/4	57,0	20,0	24,0	50
	66.091.40.682424	1"1/2	1"1/2	58,0	20,0	24,0	55
70	66.091.40.683232	2"	2"	65,0	24,5	25,0	70
*	66.091.40.684040	2"1/2	2"1/2	74,0	26,0	33,0	80

**Adaptateur de réduction**

300	66.091.40.660204	1/8"	1/4"	29,5	8,0	13,0	19
280	66.091.40.660206	1/8"	3/8"	32,0	8,0	13,9	19
300	66.091.40.660402	1/4"	1/8"	27,5	11,0	8,0	19
280	66.091.40.660406	1/4"	3/8"	35,0	11,0	14,0	19
200	66.091.40.660408	1/4"	1/2"	39,0	11,0	17,0	22
280	66.091.40.660604	3/8"	1/4"	34,0	12,0	12,5	22
200	66.091.40.660608	3/8"	1/2"	40,0	12,0	17,0	22
	66.091.40.660612	3/8"	3/4"	41,0	12,0	17,5	27
	66.091.40.660802	1/2"	1/8"	32,5	14,0	8,0	27
	66.091.40.660804	1/2"	1/4"	36,5	14,0	13,0	22
	66.091.40.660806	1/2"	3/8"	37,5	14,0	14,0	27
	66.091.40.660812	1/2"	3/4"	41,0	14,0	17,5	27
	66.091.40.661206	3/4"	3/8"	41,0	16,0	14,0	32
120	66.091.40.661208	3/4"	1/2"	44,5	16,0	17,0	32
	66.091.40.661216	3/4"	1"	51,0	16,0	22,0	36
105	66.091.40.661612	1"	3/4"	49,0	19,0	17,5	41
	66.091.40.661620	1"	1"1/4	56,0	19,0	24,0	46
	66.091.40.662016	1"1/4	1"	55,0	20,0	22,0	50
	66.091.40.662024	1"1/4	1"1/2	58,0	20,0	24,0	50
70	66.091.40.662420	1"1/2	1"1/4	58,5	20,0	24,0	55
	66.091.40.662432	1"1/2	2"	61,0	20,0	25,0	70
	66.091.40.663224	2"	1"1/2	64,0	24,5	24,0	70

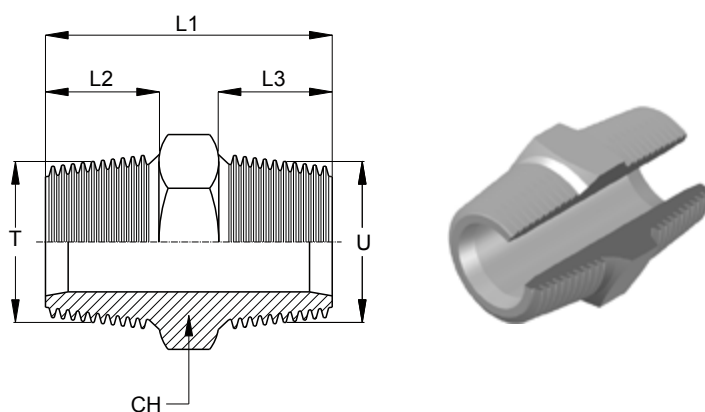
## Adapteur mâle BSP x mâle NPT



Pression de service (bar)	Code	Filetage T (BSP)	Filetage U (NPT)	L1	L2	L3	CH
350	66.091.40700202	1/8"	1/8"	26,5	8,0	10,0	14
300	66.091.40700404	1/4"	1/4"	33,5	11,0	14,0	19
280	66.091.40700606	3/8"	3/8"	35,5	12,0	14,0	22
200	66.091.40700808	1/2"	1/2"	42,5	14,0	19,0	27
	66.091.40701212	3/4"	3/4"	46,0	16,0	19,0	32
120	66.091.40701616	1"	1"	56,0	19,0	24,0	41
105	66.091.40702020	1"1/4	1"1/4	57,5	20,0	24,5	50
	66.091.40702424	1"1/2	1"1/2	59,5	20,0	25,0	55
70	66.091.40703232	2"	2"	66,0	24,5	26,0	70

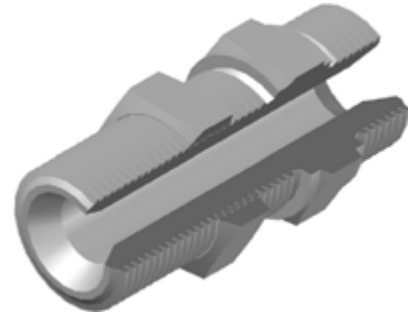
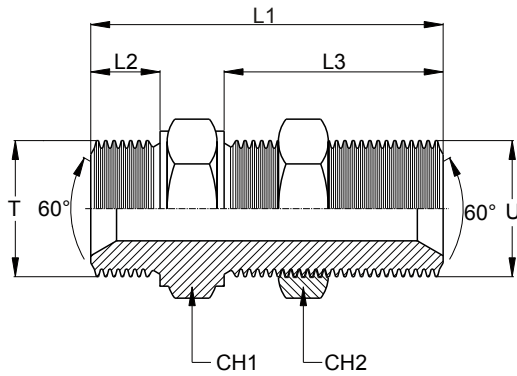
### Adapteur de réduction

300	66.091.40700204	1/8"	1/4"	30,5	8,0	14,0	14
	66.091.40700402	1/4"	1/8"	29,5	11,0	10,0	19
280	66.091.40700406	1/4"	3/8"	34,5	11,0	14,0	19
200	66.091.40700408	1/4"	1/2"	41,0	11,0	19,0	22
300	66.091.40700604	3/8"	1/4"	35,5	12,0	14,0	22
200	66.091.40700608	3/8"	1/2"	42,0	12,0	19,0	22
	66.091.40700612	3/8"	3/4"	41,0	12,0	19,0	27
	66.091.40700804	1/2"	1/4"	37,5	14,0	14,0	27
	66.091.40700806	1/2"	3/8"	37,5	14,0	14,0	27
	66.091.40700812	1/2"	3/4"	43,0	14,0	19,0	27
	66.091.40701206	3/4"	3/8"	41,0	16,0	14,0	32
	66.091.40701208	3/4"	1/2"	46,0	16,0	19,0	32
120	66.091.40701216	3/4"	1"	52,0	16,0	24,0	36
105	66.091.40701224	3/4"	1"1/2	54,5	16,0	25,0	50
120	66.091.40701612	1"	3/4"	54,0	19,0	19,0	41
105	66.091.40701620	1"	1"1/4	57,0	19,0	24,5	46
	66.091.40702016	1"1/4	1"	56,0	20,0	19,0	50
	66.091.40702024	1"1/4	1"1/2	52,5	20,0	25,0	55
	66.091.40702420	1"1/2	1"1/4	59,5	20,0	24,5	55
70	66.091.40702432	1"1/2	2"	61,5	20,0	26,0	65
	66.091.40703224	2"	1"1/2	65,0	24,5	25,0	70

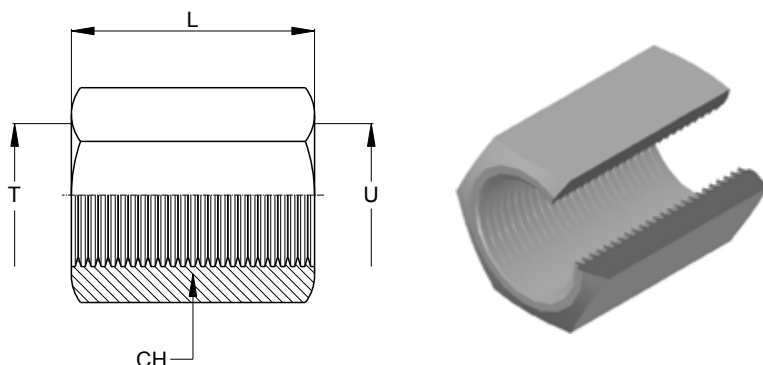
**Adapteur mâle gaz cône x mâle NPT**

Pression de service (bar)	Code	Filetage T (Gaz)	Filetage U (NPT)	L1	L2	L3	CH
350	66.091.41700202	1/8"	1/8"	25,0	8,0	10,0	14
300	66.091.41700404	1/4"	1/4"	34,0	13,0	14,0	14
250	66.091.41700606	3/8"	3/8"	36,0	14,0	14,0	19
200	66.091.41700808	1/2"	1/2"	46,5	17,0	19,0	22
	66.091.41701212	3/4"	3/4"	46,0	17,5	19,0	27
120	66.091.41701616	1"	1"	57,0	22,0	24,0	36
105	66.091.41702020	1"1/4	1"1/4	60,0	24,0	24,5	46
	66.091.41702424	1"1/2	1"1/2	60,0	24,0	25,0	50
70	66.091.41703232	2"	2"	66,5	25,0	26,0	65

**Union double passe cloison mâle BSP + contre-écrou**



Pression de service (bar)	Code	Filetage T (BSP)	Filetage U (BSP)	L1	L2	L3	CH1	CH2
400	66.091.40.510202	1/8"	1/8"	44,0	8,0	27,0	14	14
	66.091.40.510404	1/4"	1/4"	50,0	11,0	28,0	19	19
	66.091.40.510606	3/8"	3/8"	54,0	12,0	31,0	22	22
350	66.091.40.510808	1/2"	1/2"	61,5	14,0	35,0	27	27
	66.091.40.511010	5/8"	5/8"	66,0	16,0	38,0	30	30
315	66.091.40.511212	3/4"	3/4"	66,0	16,0	38,0	32	32
250	66.091.40.511616	1"	1"	72,0	19,0	41,0	41	41
220	66.091.40.512020	1"1/4	1"1/4	79,0	20,0	45,0	50	50
170	66.091.40.512424	1"1/2	1"1/2	86,7	20,0	52,5	55	55
125	66.091.40.513232	2"	2"	93,0	24,5	52,5	70	70

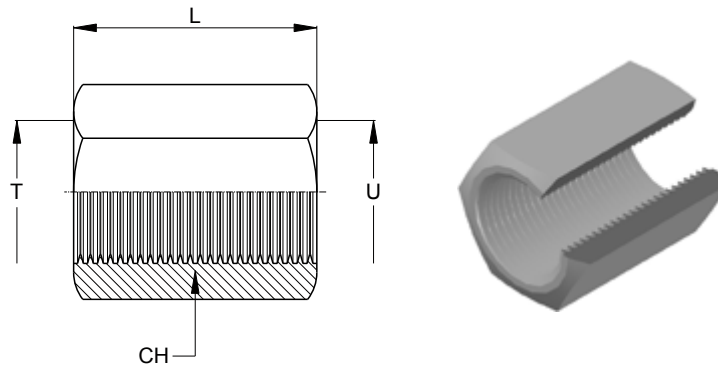


Pression de service (bar)	Code	Filetage T (BSP)	Filetage U (BSP)	L	CH
400	66.051.080202	1/8"	1/8"	25,0	17
	66.051.080404	1/4"	1/4"	26,0	19
	66.051.080606	3/8"	3/8"	31,0	22
350	66.051.080808	1/2"	1/2"	34,0	27
	66.051.081010	5/8"	5/8"	44,0	30
315	66.051.081212	3/4"	3/4"	34,5	32
250	66.051.081616	1"	1"	48,0	38
200	66.051.082020	1"1/4	1"1/4	47,0	50
160	66.051.082424	1"1/2	1"1/2	51,0	55
125	66.051.083232	2"	2"	58,0	70

**Union de réduction**

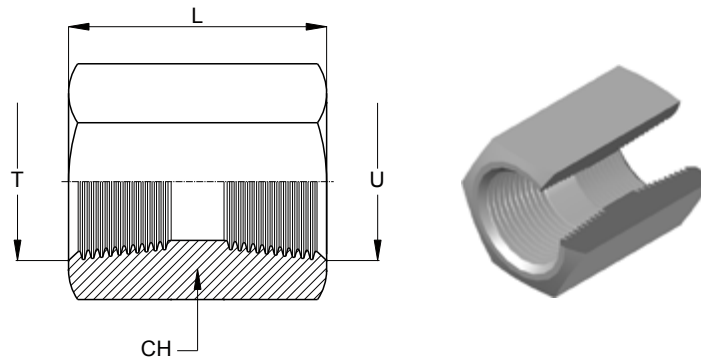
400	66.051.080402	1/4"	1/8"	26,0	19
	66.051.080602	3/8"	1/8"	30,0	22
	66.051.080604	3/8"	1/4"	31,0	22
350	66.051.080804	1/2"	1/4"	34,0	27
	66.051.080806	1/2"	3/8"	34,0	27
	66.051.081006	5/8"	3/8"	37,0	30
315	66.051.081206	3/4"	3/8"	35,0	32
	66.051.081208	3/4"	1/2"	35,0	32
250	66.051.081606	1"	3/8"	39,0	38
	66.051.081608	1"	1/2"	43,0	38
	66.051.081612	1"	3/4"	43,0	38
200	66.051.082016	1"1/4	1"	47,0	50
160	66.051.082420	1"1/2	1"1/4	50,0	55
125	66.051.083224	2"	1"1/2	57,0	70

### Union double femelle métrique

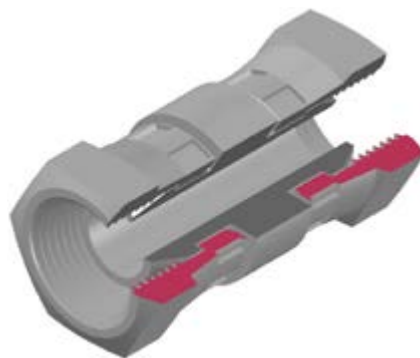
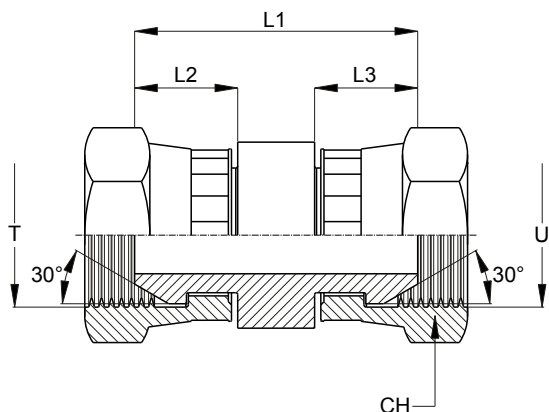


Pression de service (bar)	Code	Filetage T (métrique)	Filetage U (métrique)	L1	L2	CH
350	66.081.081010	10x1,0	10x1.0	20,0	7,0	14
	66.081.081414	14x1,5	14x1.5	30,0	12,0	19
250	66.081.081616	16x1,5	16x1.5	30,0	12,0	24
225	66.081.082222	22x1,5	22x1.5	38,0	15,0	27

### Union double femelle NPT

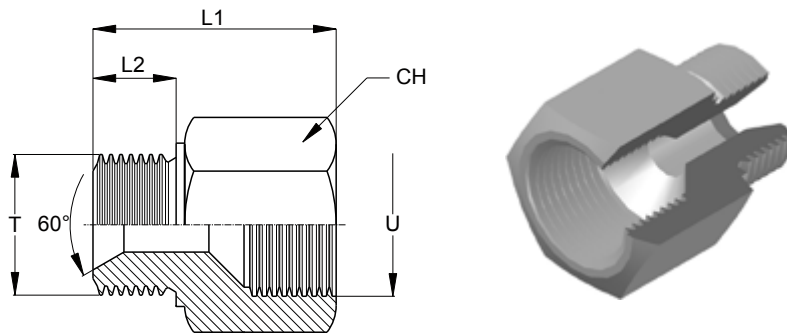


Pression de service (bar)	Code	Filetage T (NPT)	Filetage U (NPT)	L1	CH
350	66.051.090202	1/8"	1/8"	24,0	17
	66.051.090404	1/4"	1/4"	32,0	19
250	66.051.090606	3/8"	3/8"	32,0	22
225	66.051.090808	1/2"	1/2"	40,0	27
200	66.051.091212	3/4"	3/4"	46,0	32
160	66.051.091616	1"	1"	52,0	38
	66.051.092020	1"1/4	1"1/4	60,0	50
	66.051.092424	1"1/2	1"1/2	60,0	55



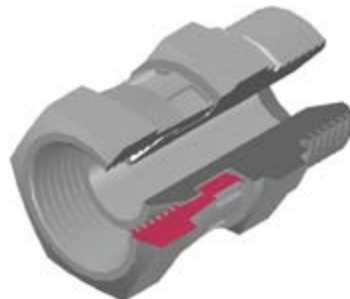
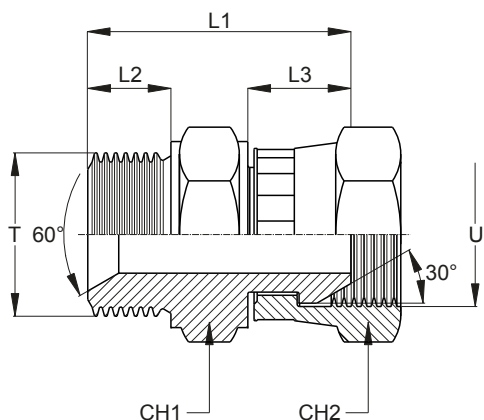
Pression de service (bar)	Code	Filetage T (BSP)	Filetage U (BSP)	L1	L2	L3	CH
400	66.091.40.110202	1/8"	1/8"	22,0	10,0	10,0	17
	66.091.40.110404	1/4"	1/4"	22,0	9,7	9,7	19
	66.091.40.110606	3/8"	3/8"	27,1	12,3	12,3	22
350	66.091.40.110808	1/2"	1/2"	32,5	14,5	14,5	27
315	66.091.40.111212	3/4"	3/4"	36,0	16,0	16,0	32
250	66.091.40.111616	1"	1"	37,6	16,8	16,8	38
160	66.091.40.112020	1"1/4	1"1/4	38,0	16,5	16,5	50
	66.091.40.112424	1"1/2	1"1/2	45,0	20,5	20,5	55

**Union mâle BSP x femelle BSP**



Pression de service (bar)	Code	Filetage T (BSP)	Filetage U (BSP)	L1	L2	CH
400	66.091.40730202	1/8"	1/8"	28,0	8,0	14
	66.091.40730204	1/8"	1/4"	29,0	8,0	19
	66.091.40730206	1/8"	3/8"	31,0	8,0	22
	66.091.40730402	1/4"	1/8"	31,0	11,0	19
	66.091.40730404	1/4"	1/4"	32,0	11,0	19
	66.091.40730406	1/4"	3/8"	32,0	11,0	22
350	66.091.40730408	1/4"	1/2"	36,0	11,0	27
250	66.091.40730416	1/4"	1"	43,5	11,0	38
400	66.091.40730604	3/8"	1/4"	35,0	12,0	22
	66.091.40730606	3/8"	3/8"	35,0	12,0	22
350	66.091.40730608	3/8"	1/2"	37,0	12,0	27
250	66.091.40730616	3/8"	1"	44,5	12,0	38
350	66.091.40730804	1/2"	1/4"	39,0	14,0	27
	66.091.40730806	1/2"	3/8"	38,0	14,0	27
	66.091.40730808	1/2"	1/2"	39,0	14,0	27
315	66.091.40730812	1/2"	3/4"	42,5	14,0	32
	66.091.40731206	3/4"	1/4"	37,5	16,0	32
	66.091.40731206	3/4"	3/8"	39,5	16,0	32
	66.091.40731208	3/4"	1/2"	41,0	16,0	32
	66.091.40731212	3/4"	3/4"	45,0	16,0	32
250	66.091.40731216	3/4"	1"	49,0	16,0	38
125	66.091.40731232	3/4"	2"	54,0	16,0	70
250	66.091.40731606	1"	3/8"	50,5	19,0	41
	66.091.40731608	1"	1/2"	52,5	19,0	41
	66.091.40731612	1"	3/4"	52,5	19,0	41
	66.091.40731616	1"	1"	53,0	19,0	41
200	66.091.40731620	1"	1"1/4	56,5	19,0	50
160	66.091.40731624	1"	1"1/2	54,0	19,0	55
200	66.091.40732012	1"1/4	3/4"	53,0	20,0	50
	66.091.40732016	1"1/4	1"	53,0	20,0	50
	66.091.40732020	1"1/4	1"1/4	57,0	20,0	50
160	66.091.40732412	1"1/2	3/4"	53,0	20,0	55
	66.091.40732416	1"1/2	1"	53,0	20,0	55
	66.091.40732420	1"1/2	1"1/4	55,5	20,0	55
	66.091.40732424	1"1/2	1"1/2	55,5	20,0	55
125	66.091.40732432	1"1/2	2"	58,0	20,0	70
	66.091.40733216	2"	1"	52,0	24,5	70
	66.091.40733220	2"	1"1/4	62,0	24,5	70
	66.091.40733224	2"	1"1/2	62,0	24,5	70
	66.091.40733232	2"	2"	66,5	24,5	70



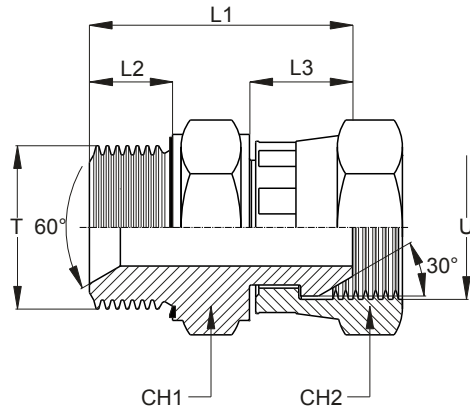


Pression de service (bar)	Code	Filetage T (BSP)	Filetage U (BSP)	L1	L2	L3	CH1	CH2
350	66.091.40.770202	1/8"	1/8"	27,7	8,0	9,7	14	17
	66.091.40.770404	1/4"	1/4"	32,5	11,0	9,7	19	19
250	66.091.40.770606	3/8"	3/8"	35,5	12,0	12,3	22	22
225	66.091.40.770808	1/2"	1/2"	40,0	14,0	14,5	27	27
200	66.091.40.771212	3/4"	3/4"	45,0	16,0	16,0	32	32
160	66.091.40.771616	1"	1"	52,0	19,0	16,8	41	38
	66.091.40.772020	1"1/4	1"1/4	53,0	20,0	16,5	50	50
	66.091.40.772424	1"1/2	1"1/2	58,0	20,0	20,5	55	55
125	66.091.40.773232	2"	2"	60,0	24,5	20,0	70	70

**Adaptateur de réduction**

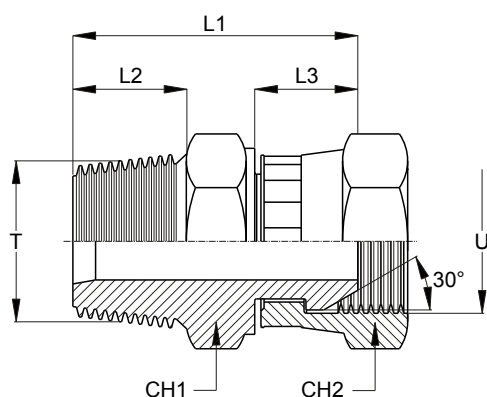
350	66.091.40.770204	1/8"	1/4"	30,0	8,0	10,0	14	19
	66.091.40.770406	1/4"	3/8"	35,0	11,0	12,5	19	22
250	66.091.40.770604	3/8"	1/4"	35,0	12,0	10,0	22	19
	66.091.40.770608	3/8"	1/2"	38,0	12,0	14,5	22	27
225	66.091.40.770812	1/2"	3/4"	42,0	14,0	16,0	27	32
	66.091.40.770816	1/2"	1"	46,5	14,0	17,0	27	38
200	66.091.40.771208	3/4"	1/2"	43,5	16,0	14,5	32	27
	66.091.40.771216	3/4"	1"	49,0	16,0	17,0	32	38
160	66.091.40.771620	1"	1"1/4	49,5	17,0	16,5	41	50
	66.091.40.771624	1"	1"1/2	55,0	17,0	20,5	46	55
160	66.091.40.772024	1"1/4	1"1/2	58,0	20,0	20,5	50	55

**Union mâle BSP x femelle BSP tournant avec joint encastré**

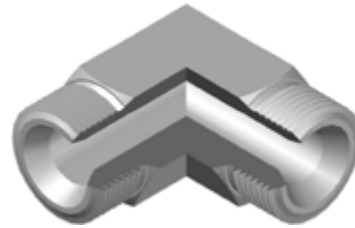
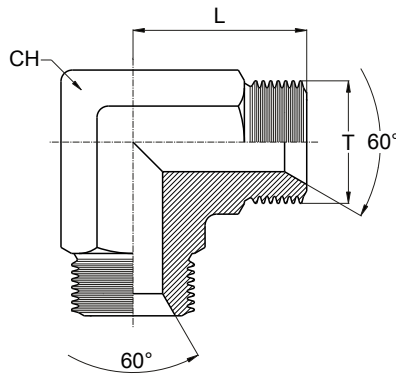


Pression de service (bar)	Code	Filetage T (BSP)	Filetage U (BSP)	L1	L2	L3	CH1	CH2
400	66.091.40.770202V	1/8"	1/8"	27,7	8,0	9,7	14	17
	66.091.40.770404V	1/4"	1/4"	32,5	11,0	9,7	19	19
	66.091.40.770606V	3/8"	3/8"	35,5	12,0	12,3	22	22
350	66.091.40.770808V	1/2"	1/2"	40,0	14,0	14,5	27	27
	66.091.40.771010V	5/8"	5/8"	-	16,0	-	30	30
315	66.091.40.771212V	3/4"	3/4"	45,0	16,0	16,0	32	32
250	66.091.40.771616V	1"	1"	52,0	19,0	16,8	41	38
160	66.091.40.772020V	1"1/4	1"1/4	53,0	20,0	16,5	50	50
	66.091.40.772424V	1"1/2	1"1/2	58,0	20,0	20,5	55	55
125	66.091.40.773232V	2"	2"	60,0	24,5	20,0	70	70

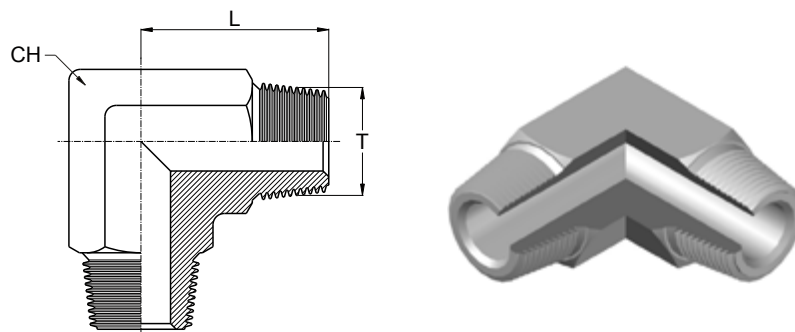
RACCORDS ET ADAPTEURS INOX **BSP** - BSI 5200 - Iso 8434-6  
**Adapteur mâle gaz cône x femelle BSP tournant**



Pression de service (bar)	Code	Filetage T (Gaz)	Filetage U (BSP)	L1	L2	L3	CH1	CH2
350	66.091.40.790202	1/8"	1/8"	26,5	8,0	10,0	14	17
300	66.091.40.790404	1/4"	1/4"	33,5	13,0	10,0	14	19
280	66.091.40.790606	3/8"	3/8"	37,0	14,0	12,5	19	22
200	66.091.40.790808	1/2"	1/2"	44,0	17,0	14,5	22	27
	66.091.40.791212	3/4"	3/4"	44,5	17,5	16,0	27	32
120	66.091.40.791616	1"	1"	53,0	22,0	17,0	36	38
105	66.091.40.792020	1"1/4	1"1/4	54,5	24,0	16,5	46	50
	66.091.40.792424	1"1/2	1"1/2	60,0	24,0	20,5	50	55

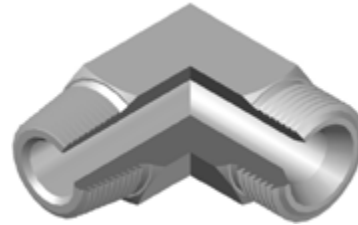
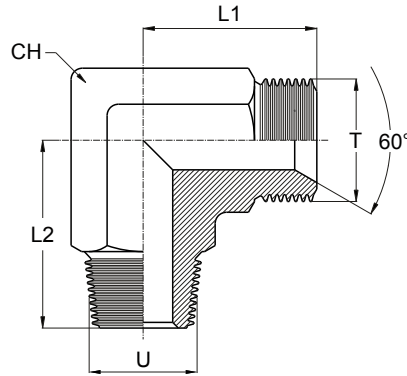
**Coude égal mâle BSP à 90°**

Pression de service (bar)	Code	Filetage T (BSP)	L	CH
400	66.091.260202	1/8"	21,0	12
	66.091.260404	1/4"	26,0	14
	66.091.260606	3/8"	29,0	19
350	66.091.260808	1/2"	34,0	22
	66.091.261010	5/8"	38,0	27
315	66.091.261212	3/4"	41,0	27
250	66.091.261616	1"	45,0	33
220	66.091.262020	1"1/4	52,0	41
170	66.091.262424	1"1/2	59,0	50
125	66.091.263232	2"	78,0	65

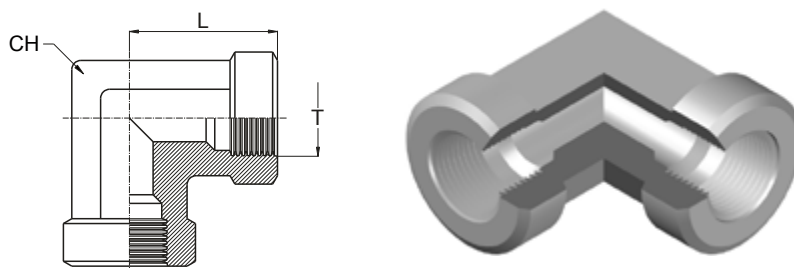
**Coude égal mâle gaz cône à 90°**

Pression de service (bar)	Code	Filetage T (Gaz)	L	CH
350	66.051.020202	1/8"	20,0	12
	66.051.020404	1/4"	28,0	14
250	66.051.020606	3/8"	31,0	19
225	66.051.020808	1/2"	37,5	22
200	66.051.021212	3/4"	40,0	27
160	66.051.021616	1"	50,0	33
	66.051.022020	1"1/4	60,0	41
	66.051.022424	1"1/2	67,0	50
100	66.051.023232	2"	76,0	65

RACCORDS ET ADAPTEURS INOX **BSP** - BSI 5200 - Iso 8434-6  
**Coude mâle BSP x mâle gaz cône à 90°**

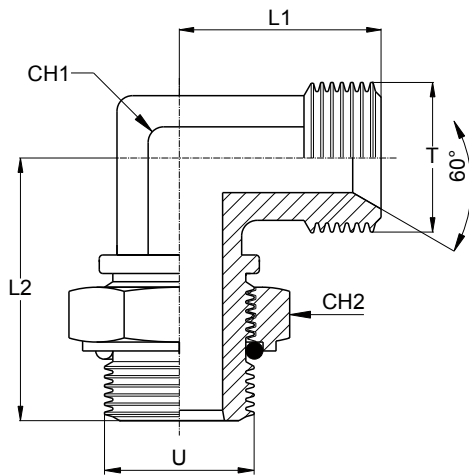


Pression de service (bar)	Code	Filetage T (BSP)	Filetage U (Gaz)	L1	L2	CH
350	66.091.080202	1/8"	1/8"	21,0	20,0	12
	66.091.080404	1/4"	1/4"	26,0	28,0	14
250	66.091.080606	3/8"	3/8"	29,0	31,0	19
225	66.091.080808	1/2"	1/2"	34,0	37,5	22
200	66.091.081010	5/8"	5/8"	38,0	40,0	27
	66.091.081212	3/4"	3/4"	41,0	40,0	27
160	66.091.081616	1"	1"	45,0	50,0	33
	66.091.082020	1"1/4	1"1/4	52,0	60,0	41
	66.091.082424	1"1/2	1"1/2	59,0	67,0	50
100	66.091.083232	2"	2"	78,0	76,0	65



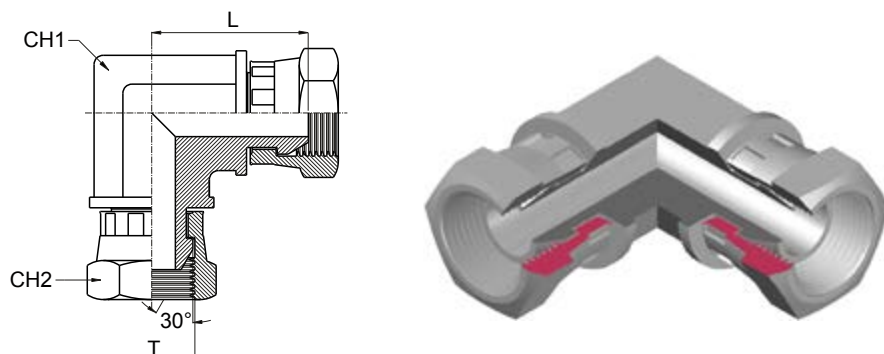
Pression de service (bar)	Code	Filetage T (BSP)	L	CH
350	66.051.050202	1/8"	17,0	14
	66.051.050404	1/4"	22,5	19
250	66.051.050606	3/8"	26,0	22
225	66.051.050808	1/2"	31,0	27
200	66.051.051212	3/4"	34,5	33
160	66.051.051616	1"	41,0	41
	66.051.052020	1"1/4	43,0	50
	66.051.052424	1"1/2	53,0	65
100	66.051.053232	2"	61,0	70

RACCORDS ET ADAPTEURS INOX **BSP** - BSI 5200 - Iso 8434-6  
**Coude orientable mâle BSP à 90° + joint O-ring**



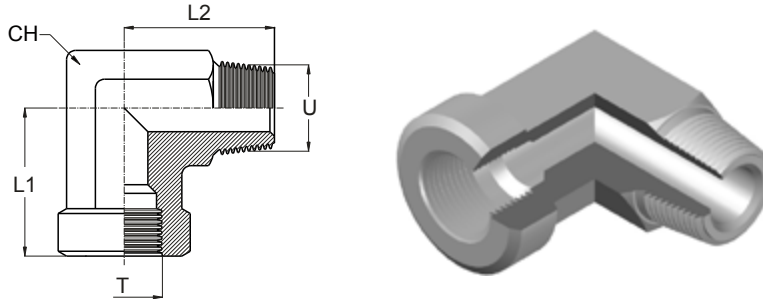
Pression de service (bar)	Code	Filetage T (BSP)	Filetage U (BSP)	L1	L2	CH1	CH2
350	66.091.240202	1/8"	1/8"	21,0	26,0	12	14
315	66.091.240404	1/4"	1/4"	26,0	32,0	14	19
250	66.091.240606	3/8"	3/8"	29,0	37,0	19	22
	66.091.240808	1/2"	1/2"	34,0	43,0	24	27
	66.091.241212	3/4"	3/4"	41,0	49,0	27	36
200	66.091.241616	1"	1"	45,0	52,0	33	41
	66.091.242020	1"1/4	1"1/4	52,0	58,0	41	50
160	66.091.242424	1"1/2	1"1/2	59,0	60,0	48	55



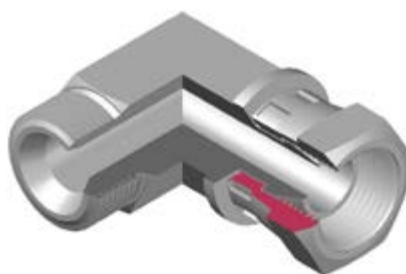
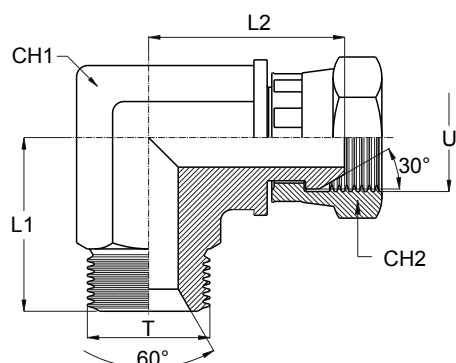


Pression de service (bar)	Code	Filetage T (BSP)	L	CH1	CH2
400	66.091.44.100202	1/8"	18,0	12	17
	66.091.44.100404	1/4"	23,5	14	19
	66.091.44.100606	3/8"	25,5	19	22
350	66.091.44.100808	1/2"	29,5	22	27
	66.091.44.101010	5/8"	-	27	30
315	66.091.44.101212	3/4"	37,0	27	32
250	66.091.44.101616	1"	43,0	33	38
160	66.091.44.102020	1"1/4	51,0	41	50
	66.091.44.102424	1"1/2	59,0	50	55
125	66.091.44.103232	2"	-	65	70

RACCORDS ET ADAPTEURS INOX **BSP** - BSI 5200 - Iso 8434-6  
**Coude mâle gaz cône x femelle BSP à 90°**

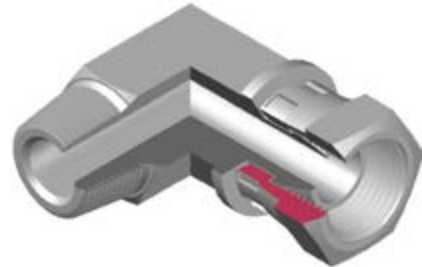
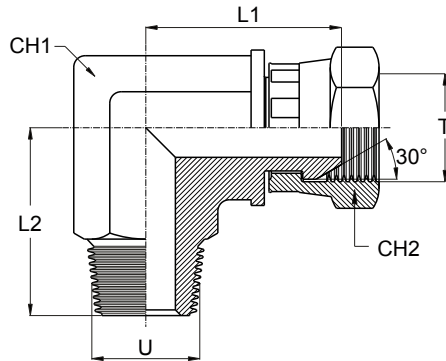


Pression de service (bar)	Code	Filetage T (BSP)	Filetage U (Gaz)	L1	L2	CH
350	66.051.040202	1/8"	1/8"	17,0	20,0	14
	66.051.040404	1/4"	1/4"	22,5	28,0	19
250	66.051.040606	3/8"	3/8"	26,0	31,0	22
225	66.051.040808	1/2"	1/2"	31,0	37,5	27
200	66.051.041212	3/4"	3/4"	34,5	40,0	33
160	66.051.041616	1"	1"	41,0	50,0	41
	66.051.042020	1"1/4	1"1/4	43,0	60,0	50
	66.051.042424	1"1/2	1"1/2	53,0	67,0	65
100	66.051.043232	2"	2"	61,0	76,0	70

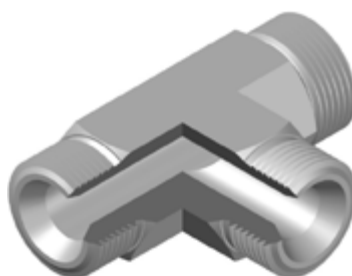
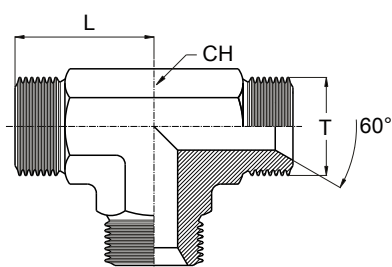
**Coude mâle BSP x femelle BSP tournant à 90°**

Pression de service (bar)	Code	Filetage T (BSP)	Filetage U (BSP)	L1	L2	CH1	CH2
400	66.091.44.090202	1/8"	1/8"	21,0	18,0	12	17
	66.091.44.090404	1/4"	1/4"	26,0	23,5	14	19
	66.091.44.090606	3/8"	3/8"	29,0	25,5	19	22
350	66.091.44.090808	1/2"	1/2"	34,0	29,5	22	27
	66.091.44.091010	5/8"	5/8"	38,0	-	27	30
315	66.091.44.091212	3/4"	3/4"	41,0	37,0	27	32
250	66.091.44.091616	1"	1"	45,0	43,0	33	38
160	66.091.44.092020	1"1/4	1"1/4	57,0	51,0	41	50
	66.091.44.092424	1"1/2	1"1/2	59,0	59,0	50	55
125	66.091.44.093232	2"	2"	78,0	-	65	70

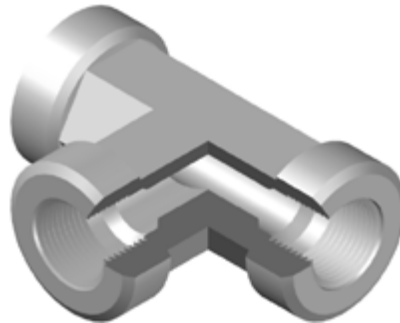
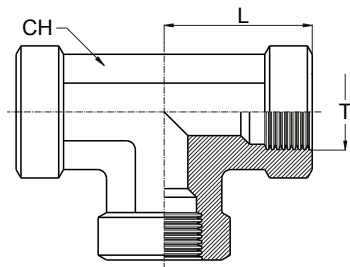
RACCORDS ET ADAPTEURS INOX **BSP** - BSI 5200 - Iso 8434-6  
**Coude mâle gaz cône x femelle BSP tournant à 90°**



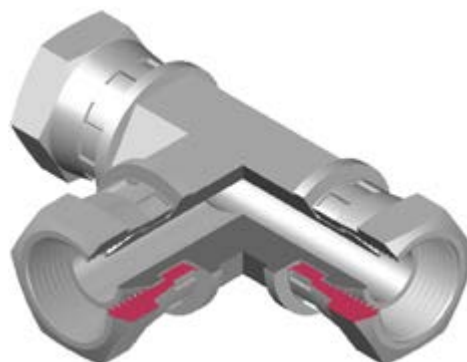
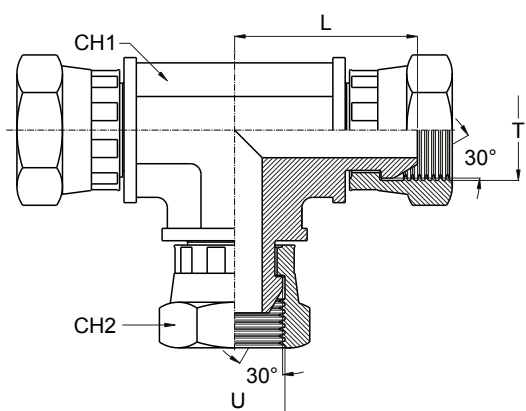
Pression de service (bar)	Code	Filetage T (BSP)	Filetage U (Gaz)	L1	L2	CH1	CH2
350	66.051.100202	1/8"	1/8"	18,0	20,0	12	17
	66.051.100404	1/4"	1/4"	23,5	28,0	14	19
250	66.051.100606	3/8"	3/8"	25,5	31,0	19	22
225	66.051.100808	1/2"	1/2"	29,5	37,5	22	27
200	66.051.101010	5/8"	5/8"	-	37,5	27	30
	66.051.101212	3/4"	3/4"	37,0	40,0	27	32
160	66.051.101616	1"	1"	43,0	50,0	33	38
	66.051.102020	1"1/4	1"1/4	51,0	60,0	41	50
	66.051.102424	1"1/2	1"1/2	59,0	67,0	50	55
100	66.051.103232	2"	2"	-	76,0	65	70



Pression de service (bar)	Code	Filetage T (BSP)	L	CH
400	66.091.12020202	1/8"	21,0	12
	66.091.12040404	1/4"	26,0	14
	66.091.12060606	3/8"	29,0	19
350	66.091.12080808	1/2"	34,0	22
	66.091.12101010	5/8"	38,0	27
315	66.091.12121212	3/4"	41,0	27
250	66.091.12161616	1"	45,0	33
220	66.091.12202020	1"1/4	52,0	41
170	66.091.12242424	1"1/2	59,0	50
125	66.091.12323232	2"	78,0	65

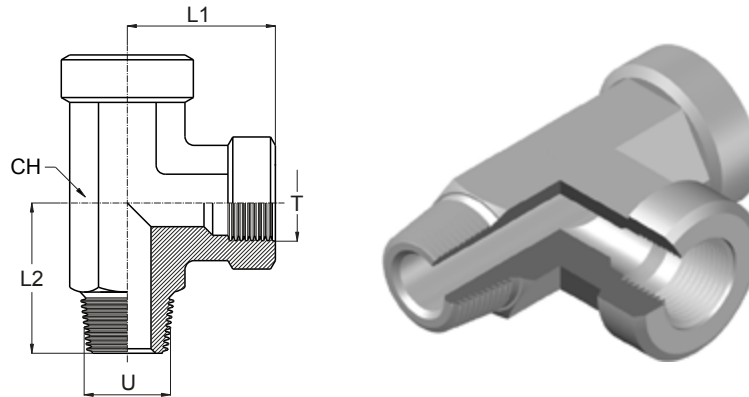
**Té égal femelle BSP**

Pression de service (bar)	Code	Filetage T (BSP)	L	CH
350	66.051.06020202	1/8"	17,0	14
	66.051.06040404	1/4"	22,5	19
250	66.051.06060606	3/8"	26,0	22
225	66.051.06080808	1/2"	31,0	27
200	66.051.06121212	3/4"	34,5	33
160	66.051.06161616	1"	41,0	41
	66.051.06202020	1"1/4	43,0	50
	66.051.06242424	1"1/2	53,0	65
100	66.051.06323232	2"	61,0	70



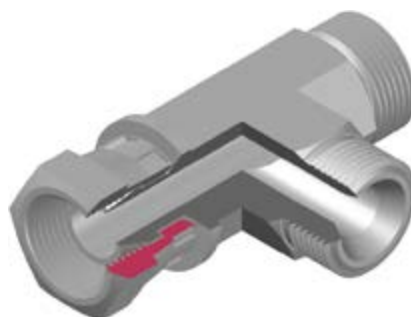
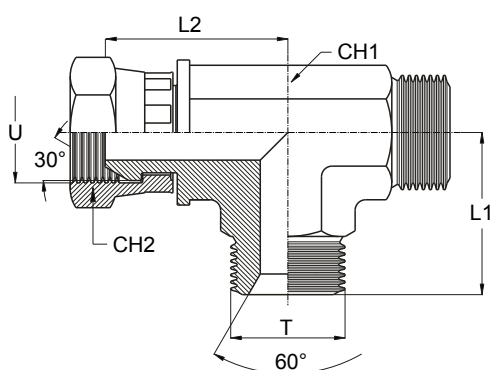
Pression de service (bar)	Code	Filetage T (BSP)	Filetage U (BSP)	L1	CH1	CH2
400	66.091.44.600202	1/8"	1/8"	18,0	12	17
	66.091.44.600404	1/4"	1/4"	23,5	14	19
	66.091.44.600606	3/8"	3/8"	25,5	19	22
350	66.091.44.600808	1/2"	1/2"	29,5	22	27
315	66.091.44.601212	3/4"	3/4"	37,0	27	32
250	66.091.44.601616	1"	1"	43,0	33	38
160	66.091.44.602020	1"1/4	1"1/4	51,0	41	50
	66.091.44.602424	1"1/2	1"1/2	59,0	50	55
125	66.091.44.603232	2"	2"	-	65	70

RACCORDS ET ADAPTEURS INOX **BSP** - BSI 5200 - Iso 8434-6  
**Té égal mâle gaz cône latéral x femelle BSP**



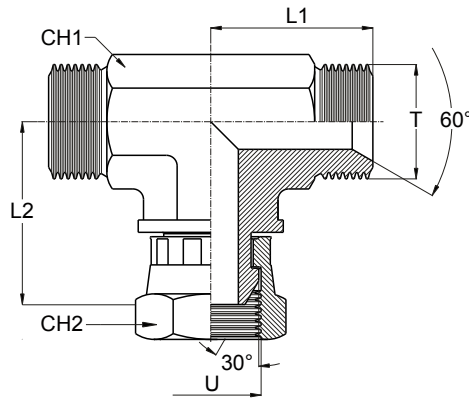
Pression de service (bar)	Code	Filetage T (BSP)	Filetage U (Gaz)	L1	L2	CH1
350	66.051.12020202	1/8"	1/8"	17,0	20,0	14
	66.051.12040404	1/4"	1/4"	22,5	28,0	19
250	66.051.12060606	3/8"	3/8"	26,0	31,0	22
225	66.051.12080808	1/2"	1/2"	31,0	37,5	27
200	66.051.12121212	3/4"	3/4"	34,5	40,0	33
160	66.051.12161616	1"	1"	41,0	50,0	41
	66.051.12202020	1"1/4	1"1/4	43,0	60,0	50
	66.051.12242424	1"1/2	1"1/2	53,0	67,0	65
100	66.051.12323232	2"	2"	61,0	76,0	70



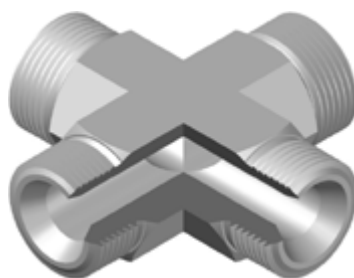
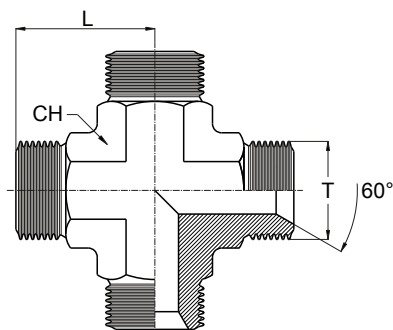


Pression de service (bar)	Code	Filetage T (BSP)	Filetage U (BSP)	L1	L2	CH1	CH2
400	66.091.44.590202	1/8"	1/8"	21,0	18,0	12	17
	66.091.44.590404	1/4"	1/4"	26,0	23,5	14	19
	66.091.44.590606	3/8"	3/8"	29,0	25,5	19	22
350	66.091.44.590808	1/2"	1/2"	34,0	29,5	22	27
315	66.091.44.591212	3/4"	3/4"	41,0	37,0	27	32
250	66.091.44.591616	1"	1"	45,0	43,0	33	38
160	66.091.44.592020	1"1/4	1"1/4	57,0	51,0	41	50
	66.091.44.592424	1"1/2	1"1/2	59,0	59,0	50	55
125	66.091.44.593232	2"	2"	78,0	-	65	70

RACCORDS ET ADAPTEURS INOX **BSP** - BSI 5200 - Iso 8434-6  
**Té égal mâle BSP x femelle BSP tournant centrale**

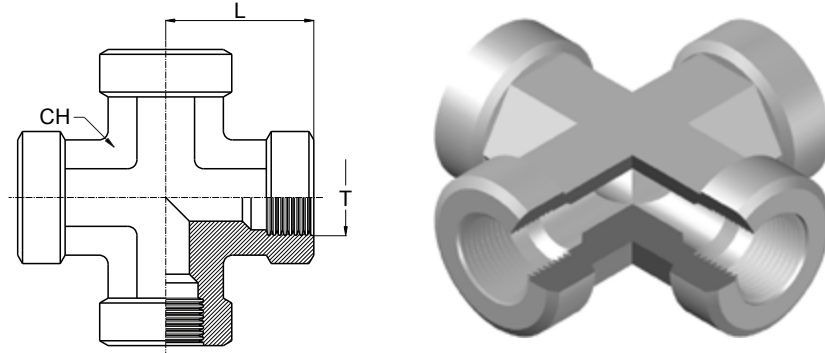


Pression de service (bar)	Code	Filetage T (BSP)	Filetage U (BSP)	L1	L2	CH1	CH2
400	66.091.44.550202	1/8"	1/8"	21,0	18,0	12	17
	66.091.44.550404	1/4"	1/4"	26,0	23,5	14	19
	66.091.44.550606	3/8"	3/8"	29,0	25,5	19	22
350	66.091.44.550808	1/2"	1/2"	34,0	29,5	22	27
	66.091.44.551010	5/8"	5/8"	38,0	-	27	30
315	66.091.44.551212	3/4"	3/4"	41,0	37,0	27	32
250	66.091.44.551616	1"	1"	45,0	43,0	33	38
160	66.091.44.552020	1"1/4	1"1/4	57,0	51,0	41	50
	66.091.44.552424	1"1/2	1"1/2	59,0	59,0	50	55
125	66.091.44.553232	2"	2"	78,0	-	65	70

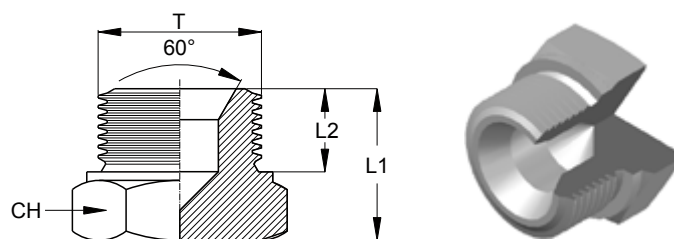


Pression de service (bar)	Code	Filetage T (BSP)	L	CH
400	66.051.30020202	1/8"	21,0	12
	66.051.30040404	1/4"	26,0	14
	66.051.30060606	3/8"	29,0	19
350	66.051.30080808	1/2"	34,0	22
	66.051.30101010	5/8"	38,0	27
315	66.051.30121212	3/4"	41,0	27
250	66.051.30161616	1"	45,0	33
200	66.051.30202020	1"1/4	52,0	41
160	66.051.30242424	1"1/2	59,0	50
125	66.051.30323232	2"	78,0	65

**Croix égale femelle BSP**

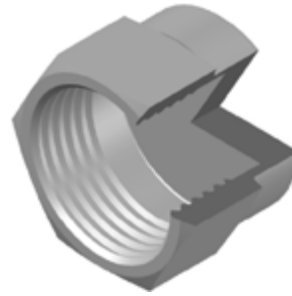
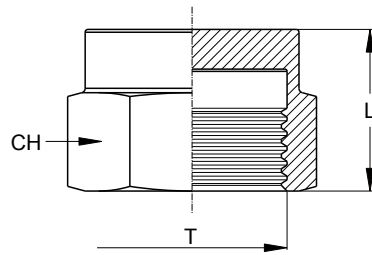


Pression de service (bar)	Code	Filetage T (BSP)	L	CH
350	66.051.13020202	1/8"	17,0	14
	66.051.13040404	1/4"	22,5	19
250	66.051.13060606	3/8"	26,0	22
225	66.051.13080808	1/2"	31,0	27
200	66.051.13121212	3/4"	34,5	33
160	66.051.13161616	1"	41,0	41
	66.051.13202020	1"1/4	43,0	50
	66.051.13242424	1"1/2	53,0	65
100	66.051.13323232	2"	61,0	70



Pression de service (bar)	Code	Filetage T (BSP)	L1	L2	CH
400	66.091.40.750202	1/8"	16,5	8,0	14
	66.091.40.750404	1/4"	19,5	11,0	19
	66.091.40.750606	3/8"	21,0	12,0	22
350	66.091.40.750808	1/2"	24,0	14,0	27
	66.091.40.751010	5/8"	27,0	16,0	30
315	66.091.40.751212	3/4"	27,0	16,0	32
250	66.091.40.751616	1"	32,0	19,0	41
200	66.091.40.752020	1"1/4	34,0	20,0	50
160	66.091.40.752424	1"1/2	37,0	20,0	55
125	66.091.40.753232	2"	41,0	24,5	70

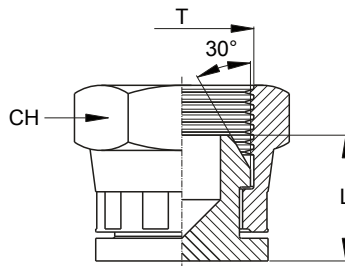
### Bouchon femelle BSP



Pression de service (bar)	Code	Filetage T (BSP)	L	CH
400	66.091.40.830404	1/4"	17,5	19
	66.091.40.830606	3/8"	20,0	22
350	66.091.40.830808	1/2"	23,0	27
	66.091.40.831010	5/8"	24,0	30
315	66.091.40.831212	3/4"	26,5	32
250	66.091.40.831616	1"	28,5	38
200	66.091.40.832020	1"1/4	33,0	50
160	66.091.40.832424	1"1/2	33,0	55
125	66.091.40.833232	2"	42,0	70

### Bouchon femelle BSP écrou tournant

196



Pression de service (bar)	Code	Filetage T (BSP)	L	CH
400	66.091.40.840404	1/4"	13,5	19
	66.091.40.840606	3/8"	15,5	22
350	66.091.40.840808	1/2"	17,5	27
	66.091.40.841010	5/8"	17,5	30
315	66.091.40.841212	3/4"	20,0	32
250	66.091.40.841616	1"	21,8	38
160	66.091.40.842020	1"1/4	21,0	50
	66.091.40.842424	1"1/2	25,5	55

## COUPLEURS INOX







Coupleur ISO B .....	200
Coupleur ISO B, passage intégral .....	202
Coupleu ISO A .....	203
Coupleur face plane .....	204
Raccord à joint tournant .....	206
Clapet anti-retour .....	207
Bouchon de coupleur .....	207

Filetage BSP standard, autres disponibles sur demande.

Pression d'éclatement: 2,5 fois la pression de travail.

Joint VITON® en standard, autres disponibles sur demande.

Joint anti-extrusion en PTFE.

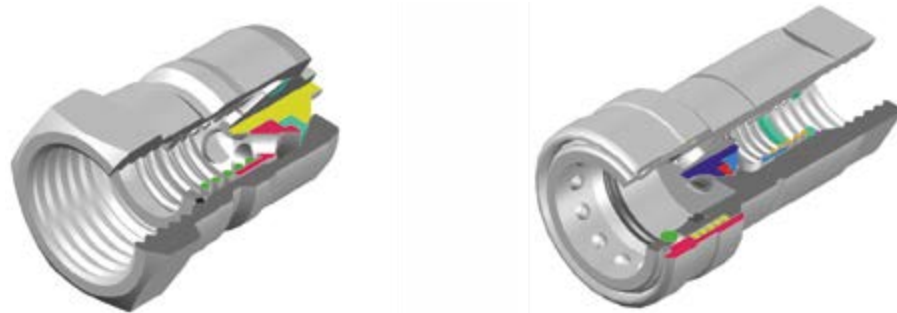
Interchangeabilité selon ISO 7241-1 partie B.

Usiné en acier inoxydable AISI 316 (ressorts, billes, soupapes, vannes de guidage, etc.).

Connexion possible en absence de pression.

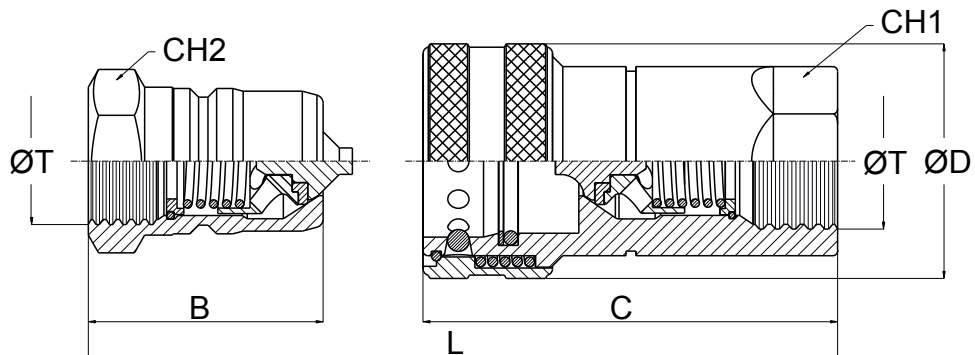
La déconnexion sous pression n'est pas autorisée.

Bouchons de sécurité en aluminium avec chaîne en acier inoxydable, disponibles sur demande.



Mâle

Femelle



Pression de service (bar)	Code coupleur mâle	Code coupleur femelle	Dimensions en millimètre							S mm <sup>2</sup>	M (Kg)
			T	B	C	D	L	CH1	CH2		
300	561.105.PBVX302	561.105.PBVX202	1/8"	31	50	24	62	14	14	12,5	0,11
	561.105.PBVX304	561.105.PBVX204	1/4"	36	57	28	72	19	19	22,5	0,17
250	561.105.PBVX306	561.105.PBVX206	3/8"	39	64	35	78	24	22	40,5	0,29
	561.105.PBVX308	561.105.PBVX208	1/2"	45,5	73	42	91	27	27	79	0,50
200	561.105.PBVX312	561.105.PBVX212	3/4"	53,5	87	51,5	107	36	34	169	0,85
	561.105.PBVX316	561.105.PBVX216	1"	63	102	60	125	41	41	224	1,25
140	561.105.PBVX320	561.105.PBVX220	1"1/4	126	126	75	198	65	65	865	3,70
	561.105.PBVX324	561.105.PBVX224	1"1/2	126	126	75	198	65	65	865	3,70
90	561.105.PBVX332	561.105.PBVX222	2"	142	142	105	222	90	90	1780	8,00

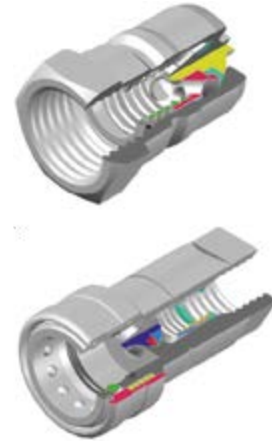
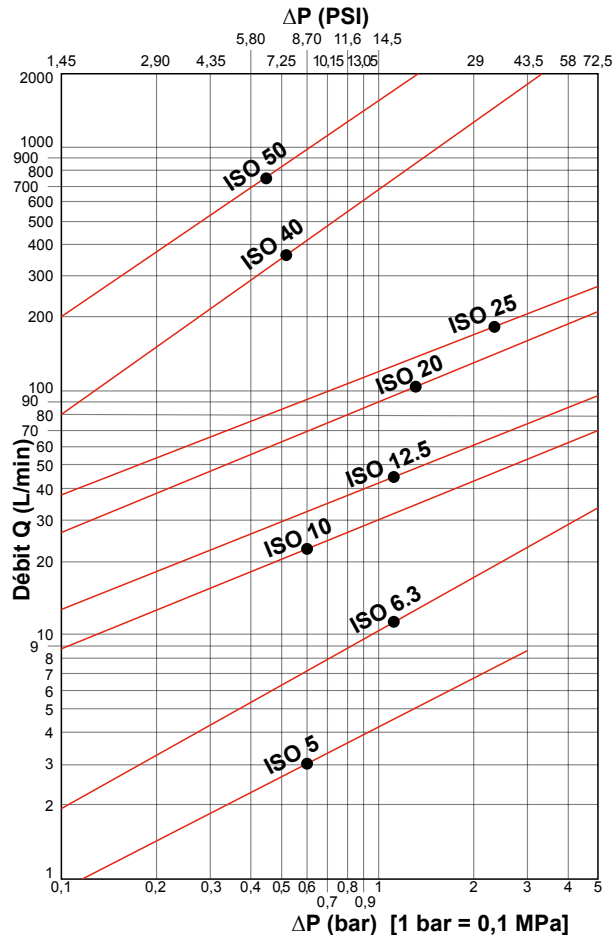
M = Poids total (coupleur mâle + femelle)

S = section de passage

Sur demande mâle et femelle ISO A et ISO B avec adaptateur de filetage mâle.

VITON® est une marque déposée de DuPont Dow Elastomers

## Pertes de charge des coupleurs inox - ISO B



Taille nominale				Pression de service Maxi	Débit		Pression d'éclatement			Perte de liquide
DN	BG	ISO	mm		nominal	Maxi	Mâle	Femelle	Accouplé	
				Mpa	l/min	l/min	MPa	Mpa	Mpa	cc
04	0	5.0	4,2	50	3	9	240	230	270	0,5
06	1	6.3	6,5	25	12	24	110	180	100	1
10	2	8.5	8,5	25	23	46	140	140	130	2,4
13	3	10.5	10,5	25	45	90	110	140	110	3,9
20	4	15.8	15,8	25	106	220	100	130	120	11
25	5	17.3	17,3	20	189	260	100	110	100	19
39	7	36	36	6	379	757	25	25	25	95
50	8	50	50	5	757	1000	20	20	20	170

Les valeurs suivantes sont indiquées pour chaque taille de coupleur :

- Le passage (millimètres).
- La pression de service maximale (MPa).
- Débit nominal et débit maximal (litres par minute).
- La pression d'éclatement minimale (MPa), couplée et non couplée.
- Le déversement ou la perte de liquide lors de la déconnexion (cc).

Toutes les unités sont données selon le système métrique (système international).

Filetage BSP standard, autres disponibles sur demande.

Pression d'éclatement: 2,5 fois la pression de travail.

Joints VITON® en standard, autres disponibles sur demande.

Usiné en acier inoxydable AISI 316.

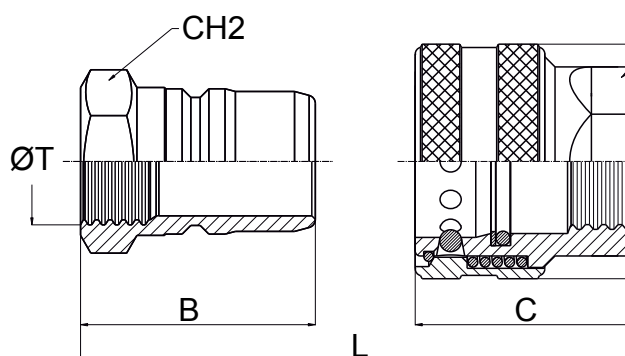
Interchangeabilité selon ISO 7241-1 partie B.

Bouchons de sécurité en aluminium avec chaîne en acier inoxydable, disponibles sur demande.



Mâle

Femelle



Pression de service (bar)	Code coupleur mâle	Code coupleur femelle	Dimensions en millimètre						
			T	B	C	D	L	CH1	CH2
300	561.105.PBOX304	561.105.PBOX204	1/4"	35	38	28	52	19	19
250	561.105.PBOX306	561.105.PBOX206	3/8"	39	42	35	56	24	22
	561.105.PBOX308	561.105.PBOX208	1/2"	45	46	42	63	27	27
	561.105.PBOX312	561.105.PBOX212	3/4"	53,5	54	51,5	74	36	34
200	561.105.PBOX316	561.105.PBOX216	1"	63	64	60	87	41	41
140	561.105.PBOX320	561.105.PBOX220	1"1/4	85	85	75	117	65	60
	561.105.PBOX324	561.105.PBOX224	1"1/2	85	85	75	117	65	60
90	561.105.PBOX332	561.105.PBOX232	2"	100	100	105	135	80	70

## Coupleurs INOX à clapet, verrouillage à bille ISO 7241-1 ISO A

Filetage BSP standard, autres disponibles sur demande.

Pression d'éclatement : 2,5 fois la pression de service.

Joints VITON® standard, autres disponibles sur demande.

Joints anti-extrusion en PTFE.

La forme géométrique de connexion ISO A est différente de la norme ISO B.

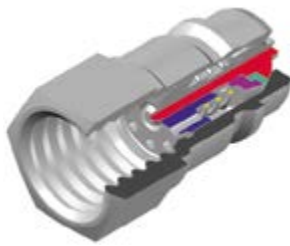
Les coupleurs ne sont pas interchangeables.

Usiné en acier inoxydable AISI 316 (ressorts, billes, soupapes, soupapes de guidage, etc.).

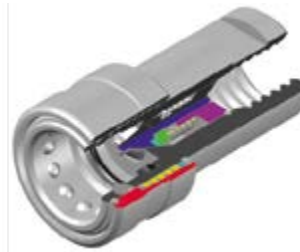
La connexion est possible en absence de pression.

La déconnexion sous pression n'est pas autorisée.

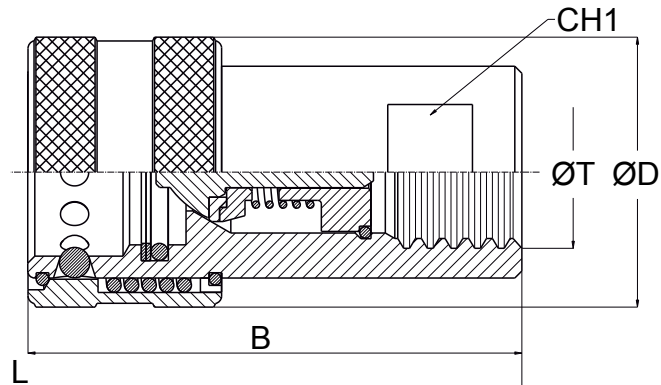
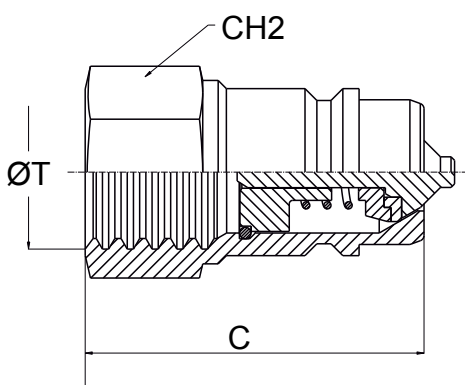
Bouchons de sécurité en aluminium avec chaîne en acier inoxydable, disponibles sur demande.



Mâle



Femelle



Pression de service (bar)	Code coupleur mâle	Code coupleur femelle	Dimensions en millimètre							S mm <sup>2</sup>	M (Kg)
			T	B	C	D	L	CH1	CH2		
300	561.105.PAVX304	561.105.PAVX204	1/4"	50	34	26	70	19	19	18	0,16
250	561.105.PAVX306	561.105.PAVX206	3/8"	57	40	30	80	22	22	40	0,22
	561.105.PAVX308	561.105.PAVX208	1/2"	70	46	38	95	27	27	79	0,38
	561.105.PAVX312	561.105.PAVX212	3/4"	81	53,5	48	108	34	32	138	0,67
200	561.105.PAVX316	561.105.PAVX216	1"	96	63	54	126	38	41	224	0,92
140	561.105.PAVX320	561.105.PAVX220	1"1/4	115	69	70	143	50	50	286	1,95
	561.105.PAVX324	561.105.PAVX224	1"1/2								
90	561.105.PAVX332	561.105.PAVX232	2"								

M = Poids total (coupleur mâle + femelle)  
S = section de passage

Sur demande mâle et femelle ISO A et ISO B  
avec adaptateur à extrémité fileté mâle.

VITON® est une marque déposée de DuPont Dow Elastomers

Aucune fuite lors de la déconnexion. Pas d'inclusion d'air lors de la connexion.  
Application où les fuites de fluide ne sont pas autorisées pour des raisons écologiques ou de sécurité.

Filetage standard BSPP, autres disponibles sur demande.

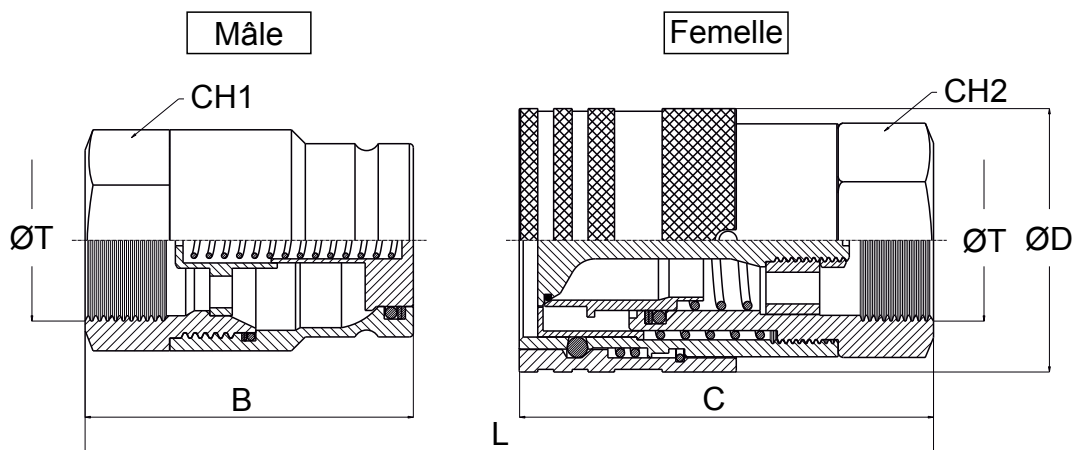
Joints VITON® standard, autres disponibles sur demande.

Joint ant-extrusion en PTFE.

Système de fermeture à face plate. Dispositif de verrouillage de sécurité.

Nettoyage facile.

Bouchons de sécurité en aluminium avec chaîne en acier inoxydable, disponibles sur demande.

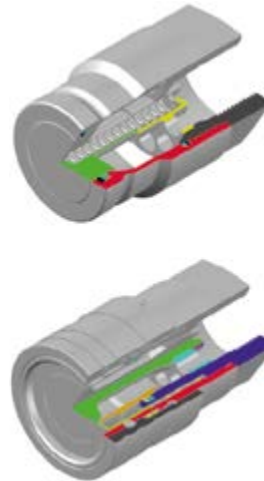
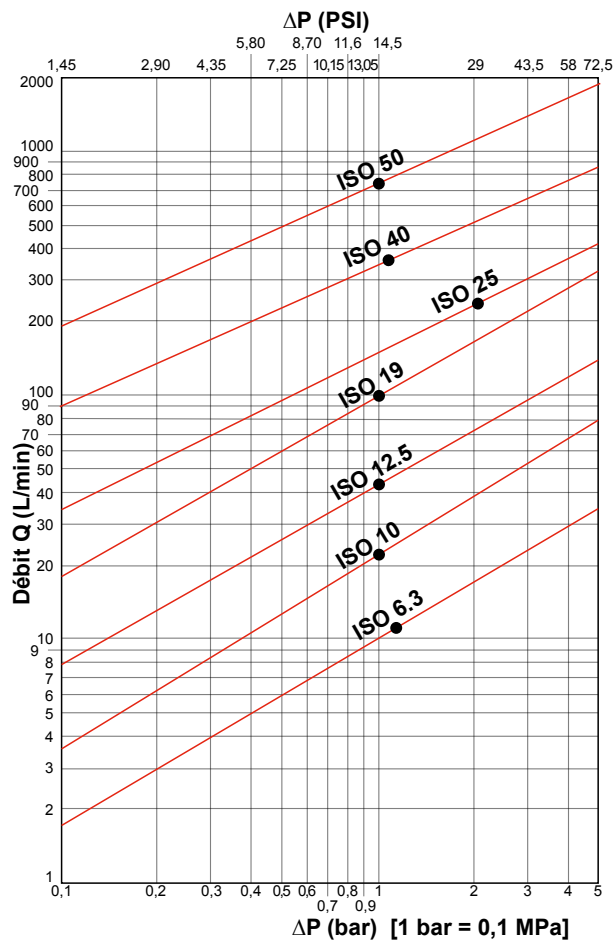


Pression de service (bar)	Code coupleur mâle	Code coupleur femelle	Dimensions en millimètre						M (Kg)
			T	B	C	L	CH1	CH2	
300	561.105.PLTX1304	561.105.PLTX1204	1/4"	48	48	86	22	22	0,25
250	561.105.PLTX1306	561.105.PLTX1206	3/8"	67	68	118	27	27	0,40
	561.105.PLTX1308	561.105.PLTX1208	1/2"	68	74	125	32	32	0,65
200	561.105.PLTX1312	561.105.PLTX1212	3/4"	70	79	130	36	36	0,75
150	561.105.PLTX1316	561.105.PLTX1216	1"	82	93	153	45	45	1,20
100	561.105.PLTX1320	561.105.PLTX1220	1"1/4	90	106	172,5	55	55	1,95
90	561.105.PLTX1324	561.105.PLTX1224	1"1/2	112	132,5	173	65	65	4,50
80	561.105.PLTX1332	561.105.PLTX1232	2"	124	157	242	75	75	8,50

M = Poids total (coupleur mâle + femelle)

VITON® est une marque déposée de DuPont Dow Elastomers

## Pertes de charge des coupleurs inox - face plane



Taille nominale				Pression de service Maxi	Débit		Pression d'éclatement			Perte de liquide
DN	BG	ISO	mm		nominal	Maxi	Mâle	Femelle	Accouplé	
				Mpa	l/min	l/min	MPa	Mpa	Mpa	cc
06	1	6,3	6	30	12	24	180	120	140	0,008
13	2	10	8,6	25	23	46	160	100	160	0,010
20	3	12,5	10,7	25	45	90	150	110	190	0,012
25	4	19	14,8	25	100	200	140	110	140	0,020
30	5	25	17,6	25	189	280	130	100	140	0,030
39	7	40	30	25	379	700	120	120	110	0,050
50	8	50	40,6	25	757	1000	100	100	110	0,100

Les valeurs ci-dessus sont indiquées pour chaque taille de coupleur :

- Le passage (millimètres).
- La pression de service maximale (MPa).
- Débit nominal et débit maximal (litres par minute).
- La pression d'éclatement minimale (MPa), couplée et non couplée.
- Le déversement ou la perte de liquide lors de la déconnexion (cc).

Toutes les unités sont données selon le système métrique (système international).

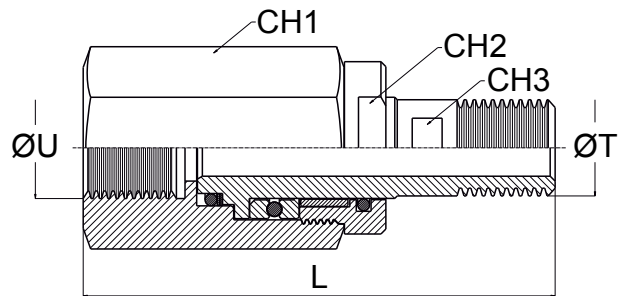
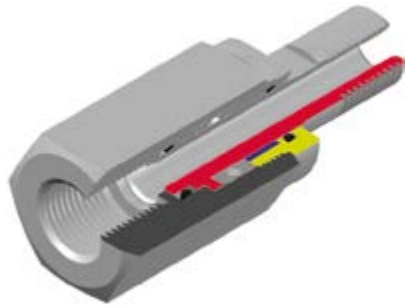


## Raccords INOX 316 joint tournant - Droit / 90°

Les raccords à joint tournant relient deux éléments oléohydrauliques tournant l'un par rapport à l'autre, en évitant les torsions. Vitesse de rotation: 5 - 10 tr / min.

Filetage BSP standard, autres disponibles sur demande.

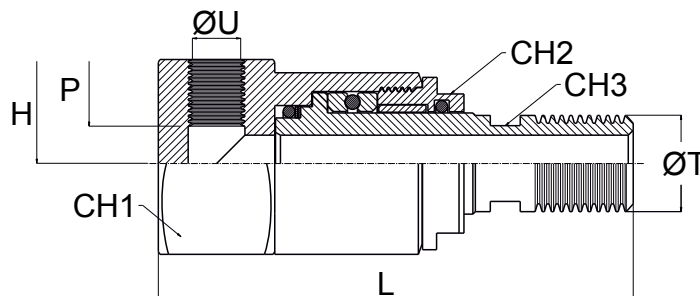
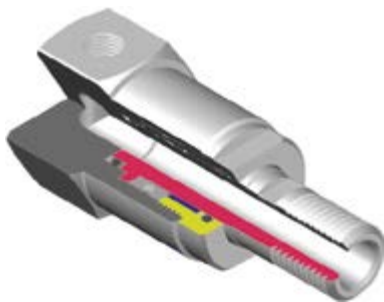
Sur demande différentes combinaisons entre Ø A et ØB. Disponible également F-F ou M-M.



Pression de service (bar)	Code	T	U	Dimensions en mm			
				L	CH1	CH2	CH3
350	408.014.GX1050	1/4"	1/4"	75	27	24	11
	408.038.GX1060	3/8"	3/8"	88	34	30	14
30	408.012.GX1070	1/2"	1/2"	101	36	32	18
250	408.034.GX1080	3/4"	3/4"	110	45	40	24
	408.100.GX1090	1"	1"	124	Ø55	50	30
180	408.114.GX1091	1"1/4	1"1/4	129	Ø60	55	38
150	408.112.GX1092	1"1/2	1"1/2	138	Ø75	68	41
	408.200.GX1093	2"	2"	149	Ø85	80	55

## Raccords INOX 316 joint tournant - 90°

206



Pression de service (bar)	Code	T	U	Dimensions en mm					
				L	CH1	CH2	CH3	H	X
350	408.014.GX0990	1/4"	1/4"	78	32	21	11	17,5	13,5
300	408.038.GX1010	3/8"	3/8"	98	38	30	14	20,5	15
	408.012.GX1020	1/2"	1/2"	106	46	32	18	24,5	17
250	408.034.GX1030	3/4"	3/4"	118	50	41	24	25	17
	408.100.GX1040	1"	1"	142	60	50	30	29	21
180	408.114.GX1042	1"1/4	1"1/4	155	55	38	60	54	26
150	408.112.GX1043	1"1/2	1"1/2	170	70	41	75	51,5	27
	408.200.GX1044	2"	2"	190	80	55	95	53	34

Corps carré au dessus du 1"

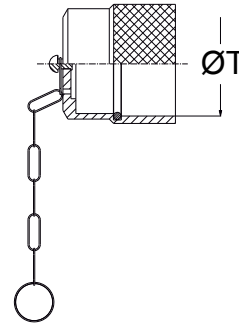
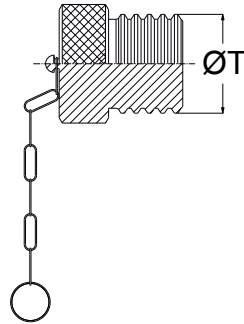


## Bouchons pour coupleurs

Bouchons de sécurité en aluminium avec chaîne en acier inoxydable.

Bouchon pour Femelle

Bouchon pour Mâle

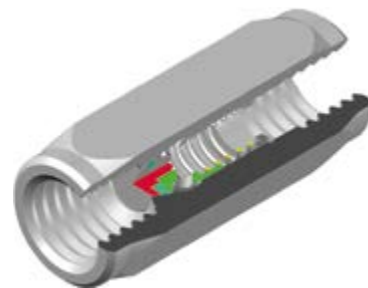
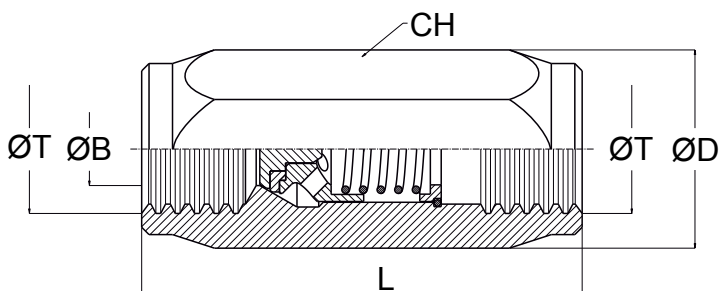


Code (mâle)	T	Code (femelle)	T
561.105.SPBVA204	1/4"	561.105.SPBVA304	1/4"
561.105.SPBVA206	3/8"	561.105.SPBVA306	3/8"
561.105.SPBVA208	1/2"	561.105.SPBVA308	1/2"
561.105.SPBVA212	3/4"	561.105.SPBVA312	3/4"
561.105.SPBVA216	1"	561.105.SPBVA316	1"
561.105.SPBVA220	1"1/4	561.105.SPBVA320	1"1/4
561.105.SPBVA224	1"1/2	561.105.SPBVA324	1"1/2
561.105.SPBVA232	2"	561.105.SPBVA332	2"

## Clapets anti-retour INOX 316

Tarage standard : 0,5 bar, sur demande jusqu'à 8 bar

Joint standard : VITON®, autres matière sur demande




Pression de service (bar)	Code	T	millimètres			S mm <sup>2</sup>	M Kg
			B	L	CH		
350	504.018.07100X	1/8"	5	42	14	18	0,05
	504.014.07100X	1/4"	7	50	19	22	0,09
	504.038.07200X	3/8"	10	60	24	42	0,16
	504.012.07300X	1/2"	11	65	27	75	0,28
300	504.034.07400X	3/4"	17	75	34	126	0,35
250	504.100.07500X	1"	21	93	41	230	0,58
	504.114.07600X	1"1/4	29	110	50	340	0,96
	504.112.07700X	1"1/2	34	112	55	509	1,02
200	504.200.07800X	2"	48	120	75	1640	2,20


S= Section de passage




**Gwladys COUVRET**

Chef produit Connectique

 +33 (0)6 36 11 39 26

 [couvret.gwladys@socah-connectic.fr](mailto:couvret.gwladys@socah-connectic.fr)

 Z.A. du Plessis Beucher  
Rue de la croix Guillemet  
35220 CHÂTEAUBOURG

 02 99 00 84 09

 [socah-connectic.fr](http://socah-connectic.fr)





## Nos 4 agences comptoir

Agence de **RENNES** (35)  
Z.A. les Mottais  
17, rue du champ Martin  
35770 VERN SUR SEICHE

Tél : **02 99 04 30 60**  
Fax : 02 99 50 39 57

[rennes@socah-connectic.fr](mailto:rennes@socah-connectic.fr)

Agence de **REDON** (35)  
PA - Porte de Rennes  
Les Landes de Tournebride  
14 rue de la Croix Verte  
35600 BAINS SUR OUST

Tél : **02 99 04 30 64**  
Fax : 02 72 56 01 72

[redon@socah-connectic.fr](mailto:redon@socah-connectic.fr)

Agence de **VITRÉ** (35)  
ZI Briqueterie  
1Bd Denis Papin  
35500 VITRE

Tél : **02 99 00 70 40**  
Fax : 02 34 09 16 66

[vitre@socah-connectic.fr](mailto:vitre@socah-connectic.fr)

Agence d'**ANCENIS** (44)  
Z.A. du Plessis  
Route de Pannecé  
44522 MÉSANGER

Tél : **06 06 83 72 20**

[ancenis@socah-connectic.fr](mailto:ancenis@socah-connectic.fr)

Site internet : [www.socah-connectic.fr](http://www.socah-connectic.fr)  
Courriel : [contact@socah-connectic.fr](mailto:contact@socah-connectic.fr)

