

RACCORDS ET ADAPTEURS INOX

JIC SAE - Iso 8434-2

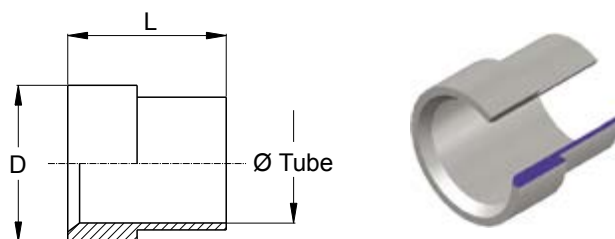


Fourreau JIC	125
Ecrou JIC	125
Union mâle JIC x mâle JIC	126
Union de réduction mâle JIC x mâle JIC	127
Adapteur mâle JIC x mâle BSP	128
Adapteur mâle JIC x mâle BSP avec joint encastré	129
Adapteur mâle JIC x mâle gaz cône.....	130
Adapteur mâle JIC x mâle NPT	131
Adapteur mâle JIC x mâle UNF/UN-2A avec joint O-Ring	132
Adapteur mâle JIC x mâle métrique	133
Adapteur mâle JIC x mâle métrique avec joint encastré	134
Union double mâle JIC passe cloison avec contre-écrou	135
Union mâle JIC x femelle JIC	136
Adapteur mâle JIC x femelle BSP	137
Union mâle JIC x femelle JIC écrou tournant	138
Adapteur femelle JIC écrou tournant x mâle BSP avec joint encastré	139
Adapteur femelle JIC écrou tournant x mâle gaz cône	140
Adapteur femelle JIC écrou tournant x mâle UNF/UN-2A avec jt O-Ring	141
Adapteur femelle JIC écrou tournant x mâle métrique avec jt encastré	142
Coude égal 90° mâle JIC	143
Coude égal 90° mâle JIC x mâle gaz cône	144
Coude égal 90° mâle JIC x mâle NPT.....	145
Coude 90° mâle JIC x femelle JIC écrou tournant	146
Coude égal 90° femelle JIC écrou tournant	147
Adapteur femelle JIC écrou tournant	147
Coude égal 90° mâle JIC passe cloison avec contre-écrou	148
Contre-écrou pour passe cloison JIC	148
Té égal mâle JIC	149
Té mâle JIC x mâle gaz cône latéral	150
Té mâle JIC x femelle JIC latérale écrou tournant	151
Té mâle JIC x mâle gaz cône central	152

Sommaire

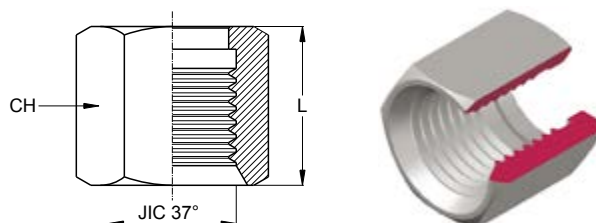
Té mâle JIC x femelle JIC centrale écrou tournant	153
Croix égale mâle JIC	154
Bouchon mâle JIC	155
Bouchon femelle JIC avec écrou tournant	155

Fourreau JIC



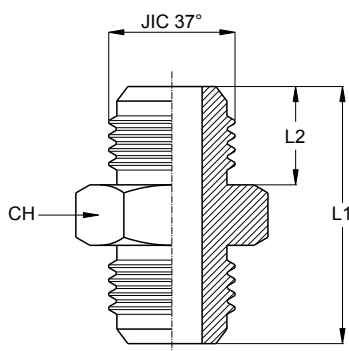
Série	Pression de service (bar)	Code	Ø Ext. Tube métrique	Ø Ext. Tube Gaz	L	D	
UNIVERSELLE	450	66.101.80.830606	6		10,4	9,70	
	450	66.101.80.830808	8	5/16"	11,2	11,25	
	350		66.101.80.831010	10		12,7	12,70
			66.101.80.831212	12		14,2	17,30
			66.101.80.831414	14		16,8	20,20
			66.101.80.831515	15		16,8	20,20
			66.101.80.831616	16	5/8"	16,8	20,20
		66.101.80.832020	20		17,3	24,65	
290	66.101.80.832525	25		19,8	31,00		
	240	66.101.80.832828	28		23,1	38,90	
		66.101.80.833030	30		23,1	38,90	
		66.101.80.833232	32		23,1	38,90	
		66.101.80.833838	38	1"1/2	28,4	45,25	
	140	66.101.80.835050	50		30,2	61,15	

Ecrou JIC



Série	Pression de service (bar)	Code	Ø Ext. Tube Métrique	Ø Ext. Tube Gaz	JIC 37°	L	CH
UNIVERSELLE	450	66.101.80.130404	6	1/4"	7/16"-20	15,8	14
		66.101.80.130505	8	5/16"	1/2"-20	17,3	17
	350	66.101.80.130606	10	3/8"	9/16"-18	18,5	19
		66.101.80.130808	12	1/2"	3/4"-16	21,6	22
		66.101.80.131010	14-15-16	5/8"	7/8"-14	24,9	27
		66.101.80.131212	18-20	3/4"	1"1/16-12	26,2	32
	290	66.101.80.131616	25	1"	1"5/16-12	28,7	41
	240	66.101.80.132020	28-30		1"5/8-12	31,2	50
		66.101.80.132424	32	1"1/4	1"5/8-12	31,2	50
		66.101.80.133232	35-38	1"1/2	1"7/8-12	36,1	60

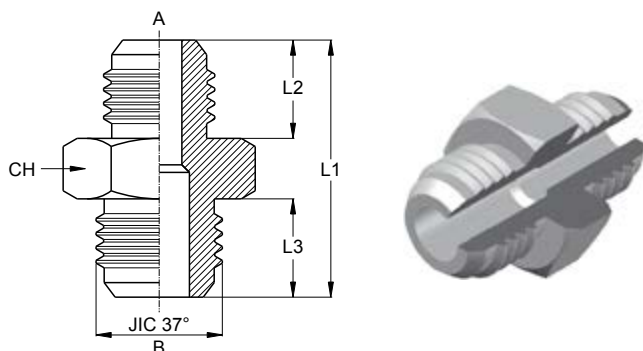
Union double mâle JIC x mâle JIC



Série	Pression de service (bar)	Code	Ø Ext. Tube Métrique	Ø Ext. Tube Gaz	JIC 37°	L1	L2	CH
UNIVERSELLE	450	66.101.80.170404	6	1/4"	7/16"-20	35,0	14,0	14
		66.101.80.170505	8	5/16"	1/2"-20	35,0	14,0	14
	350	66.101.80.170606	10	3/8"	9/16"-18	36,0	14,1	17
		66.101.80.170808	12	1/2"	3/4"-16	41,0	16,7	22
		66.101.80.171010	14-15-16	5/8"	7/8"-14	48,0	19,3	24
		66.101.80.171212	18-20	3/4"	1"1/16-12	55,0	21,9	30
	290	66.101.80.171616	25	1"	1"5/16-12	57,0	23,1	36
	240	66.101.80.172020	28-30-32	1"1/4	1"5/8-12	61,5	24,3	46
		66.101.80.172424	35-38	1"1/2	1"7/8-12	70,0	27,5	50
	105	66.101.80.173232	50	2"	2"1/2-12	86,5	33,9	65

RACCORDS ET ADAPTEURS INOX JIC - SAE J514 - Iso 8434-2

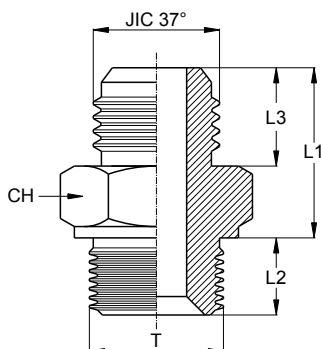
Unionde réduction mâle JIC x mâle JIC



RACCORDS ET ADAPTEURS INOX JIC - SAE - Iso 8434-2

Série	Pression de service (bar)	Code	Ø Ext. Tube A Métrique	Ø Ext. Tube B Métrique	Ø Ext. Tube A Gaz	Ø Ext. Tube B Gaz	JIC 37° A	JIC 37° B	L1	L2	L3	CH
UNIVERSELLE	450	66.101.80.180405	6	8	1/4"	5/16"	7/16"-20	1/2"-20	35,0	14,0	14,0	14
	350	66.101.80.180406	6	10	1/4"	3/8"	7/16"-20	9/16"-18	35,9	14,0	14,1	17
		66.101.80.180506	8	10	5/16"	3/8"	1/2"-20	9/16"-18	35,9	14,0	14,1	17
		66.101.80.180408	6	12	1/4"	1/2"	7/16"-20	3/4"-16	38,3	14,0	16,7	22
		66.101.80.180805	8	12	5/16"	1/2"	1/2"-20	3/4"-16	38,3	14,0	16,7	22
		66.101.80.180806	10	12	3/8"	1/2"	9/16"-18	3/4"-16	38,4	14,1	16,7	22
		66.101.80.180410	6	14-15-16	1/4"	5/8"	7/16"-20	7/8"-14	42,7	14,0	19,3	24
		66.101.80.180510	8	14-15-16	5/16"	5/8"	1/2"-20	7/8"-14	42,7	14,0	19,3	24
		66.101.80.180610	10	14-15-16	3/8"	5/8"	9/16"-18	7/8"-14	42,8	14,1	19,3	24
		66.101.80.181008	12	14-15-16	1/2"	5/8"	3/4"-16	7/8"-14	45,4	16,7	19,3	24
		66.101.80.180412	6	18-20	1/4"	3/4"	7/16"-20	1"1/16-12	47,1	14,0	21,9	30
		66.101.80.180512	8	18-20	5/16"	3/4"	1/2"-20	1"1/16-12	47,1	14,0	21,9	30
		66.101.80.180612	10	18-20	3/8"	3/4"	9/16"-18	1"1/16-12	47,2	14,1	21,9	30
		66.101.80.181208	12	18-20	1/2"	3/4"	3/4"-16	1"1/16-12	49,8	16,7	21,9	30
	66.101.80.181210	14-15-16	18-20	5/8"	3/4"	7/8"-14	1"1/16-12	52,4	19,3	21,9	30	
	290	66.101.80.180416	6	25	1/4"	1"	7/16"-20	1"5/16-12	47,9	14,0	23,1	36
		66.101.80.180516	8	25	5/16"	1"	1/2"-20	1"5/16-12	47,9	14,0	23,1	36
		66.101.80.180616	10	25	3/8"	1"	9/16"-18	1"5/16-12	48,0	14,1	23,1	36
		66.101.80.180816	12	25	1/2"	1"	3/4"-16	1"5/16-12	50,6	16,7	23,1	36
		66.101.80.181016	14-15-16	25	5/8"	1"	7/8"-14	1"5/16-12	53,2	19,3	23,1	36
		66.101.80.181612	18-20	25	3/4"	1"	1"1/16-12	1"5/16-12	55,8	21,9	23,1	36
	240	66.101.80.180420	6	28-30-32	1/4"	1"1/4	7/16"-20	1"5/8-12	51,2	14,0	24,3	46
		66.101.80.180520	8	28-30-32	5/16"	1"1/4	1/2"-20	1"5/8-12	51,2	14,0	24,3	46
		66.101.80.180620	10	28-30-32	3/8"	1"1/4	9/16"-18	1"5/8-12	51,3	14,1	24,3	46
		66.101.80.180820	12	28-30-32	1/2"	1"1/4	3/4"-16	1"5/8-12	53,9	16,7	24,3	46
		66.101.80.181020	14-15-16	28-30-32	5/8"	1"1/4	7/8"-14	1"5/8-12	56,5	19,3	24,3	46
		66.101.80.181220	18-20	28-30-32	3/4"	1"1/4	1"1/16-12	1"5/8-12	59,1	21,9	24,3	46
		66.101.80.181620	25	28-30-32	1"	1"1/4	1"5/16-12	1"5/8-12	60,3	23,1	24,3	46
		66.101.80.180424	6	35-38	1/4"	1"1/2	7/16"-20	1"7/8-12	56,5	14,0	27,5	50
		66.101.80.180524	8	35-38	5/16"	1"1/2	1/2"-20	1"7/8-12	56,5	14,0	27,5	50
		66.101.80.180624	10	35-38	3/8"	1"1/2	9/16"-18	1"7/8-12	56,6	14,1	27,5	50
		66.101.80.180824	12	35-38	1/2"	1"1/2	3/4"-16	1"7/8-12	59,2	16,7	27,5	50
		66.101.80.181024	14-15-16	35-38	5/8"	1"1/2	7/8"-14	1"7/8-12	61,8	19,3	27,5	50
		66.101.80.181224	18-20	35-38	3/4"	1"1/2	1"1/16-12	1"7/8-12	64,4	21,9	27,5	50
		66.101.80.181624	25	35-38	1"	1"1/2	1"5/16-12	1"7/8-12	65,6	23,1	27,5	50
	66.101.80.182024	28-30-32	35-38	1,1/4"	1"1/2	1"5/8-12	1"7/8-12	66,8	24,3	27,5	50	
	105	66.101.80.180432	6	50	1/4"	2"	7/16"-20	2"1/2-12	66,6	14,0	33,9	65
		66.101.80.180532	8	50	5/16"	2"	1/2"-20	2"1/2-12	66,6	14,0	33,9	65
		66.101.80.180632	10	50	3/8"	2"	9/16"-18	2"1/2-12	66,7	14,1	33,9	65
		66.101.80.180832	12	50	1/2"	2"	3/4"-16	2"1/2-12	69,3	16,7	33,9	65
		66.101.80.181032	14-15-16	50	5/8"	2"	7/8"-14	2"1/2-12	71,9	19,3	33,9	65
		66.101.80.181232	18-20	50	3/4"	2"	1"1/16-12	2"1/2-12	74,5	21,9	33,9	65
		66.101.80.181632	25	50	1"	2"	1"5/16-12	2"1/2-12	75,7	23,1	33,9	65
		66.101.80.182032	28-30-32	50	1,1/4"	2"	1"5/8-12	2"1/2-12	76,9	24,3	33,9	65
	66.101.80.182432	35-38	50	1,1/2"	2"	1"7/8-12	2"1/2-12	80,1	27,5	33,9	65	

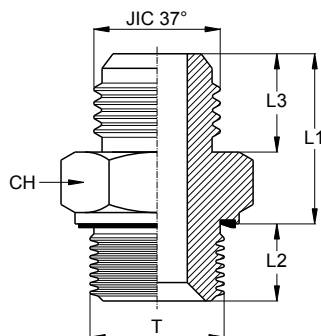
Adapteur mâle JIC x mâle BSP



Série	Pression de service (bar)	Code	Ø Ext. Tube Métrique	Ø Ext. Tube Gaz	JIC 37°	Filetage T (BSP)	L1	L2	L3	CH
UNIVERSELLE	350	66.101.80.190402	6	1/4"	7/16"-20	1/8"	22,5	8,0	14,0	14
		66.101.80.190404	6	1/4"	7/16"-20	1/4"	22,5	11,0	14,0	19
		66.101.80.190406	6	1/4"	7/16"-20	3/8"	23,5	12,0	14,0	22
		66.101.80.190408	6	1/4"	7/16"-20	1/2"	23,5	14,0	14,0	27
		66.101.80.190502	8	5/16"	1/2"-20	1/8"	22,5	8,0	14,0	14
		66.101.80.190504	8	5/16"	1/2"-20	1/4"	22,5	11,0	14,0	19
		66.101.80.190506	8	5/16"	1/2"-20	3/8"	23,5	12,0	14,0	22
		66.101.80.190508	8	5/16"	1/2"-20	1/2"	23,5	14,0	14,0	27
		66.101.80.190602	10	3/8"	9/16"-18	1/8"	23,4	8,0	14,1	17
		66.101.80.190604	10	3/8"	9/16"-18	1/4"	23,4	11,0	14,1	19
		66.101.80.190606	10	3/8"	9/16"-18	3/8"	23,6	12,0	14,1	22
		66.101.80.190608	10	3/8"	9/16"-18	1/2"	23,6	14,0	14,1	27
		66.101.80.190804	12	1/2"	3/4"-16	1/4"	25,8	12,0	16,7	22
		66.101.80.190806	12	1/2"	3/4"-16	3/8"	26,2	12,0	16,7	22
		66.101.80.190808	12	1/2"	3/4"-16	1/2"	26,2	14,0	16,7	27
		66.101.80.190812	12	1/2"	3/4"-16	3/4"	27,7	16,0	16,7	32
	66.101.80.191006	14-15-16	5/8"	7/8"-14	3/8"	30,2	12,0	19,3	24	
	66.101.80.191008	14-15-16	5/8"	7/8"-14	1/2"	30,2	14,0	19,3	27	
	66.101.80.191012	14-15-16	5/8"	7/8"-14	3/4"	30,7	16,0	19,3	32	
	66.101.80.191016	14-15-16	5/8"	7/8"-14	1"	32,3	19,0	19,3	41	
	66.101.80.191206	18-20	3/4"	1"1/16-12	3/8"	34,6	12,0	21,9	30	
	66.101.80.191208	18-20	3/4"	1"1/16-12	1/2"	34,6	14,0	21,9	30	
	66.101.80.191212	18-20	3/4"	1"1/16-12	3/4"	35,1	16,0	21,9	32	
	66.101.80.191216	18-20	3/4"	1"1/16-12	1"	35,1	19,0	21,9	41	
	66.101.80.191220	18-20	3/4"	1"1/16-12	1,1/4"	35,1	20,0	21,9	50	
	66.101.80.191612	25	1"	1"5/16-12	3/4"	35,9	16,0	23,1	36	
	66.101.80.191616	25	1"	1"5/16-12	1"	36,1	19,0	23,1	41	
	66.101.80.191620	25	1"	1"5/16-12	1,1/4"	36,1	20,0	23,1	50	
	66.101.80.191624	25	1"	1"5/16-12	1,1/2"	37,6	20,0	23,1	55	
	66.101.80.192016	28-30-32	1"1/4	1"5/8-12	1"	39,2	19,0	24,3	46	
	66.101.80.192020	28-30-32	1"1/4	1"5/8-12	1,1/4"	39,2	20,0	24,3	50	
	66.101.80.192024	28-30-32	1"1/4	1"5/8-12	1,1/2"	39,2	20,0	24,3	55	
66.101.80.192032	28-30-32	1"1/4	1"5/8-12	2"	39,8	24,5	24,3	70		
66.101.80.192416	35-38	1"1/2	1"7/8-12	1"	44,5	19,0	27,5	50		
66.101.80.192420	35-38	1"1/2	1"7/8-12	1,1/4"	44,5	20,0	27,5	50		
66.101.80.192424	35-38	1"1/2	1"7/8-12	1,1/2"	44,5	20,0	27,5	55		
66.101.80.192432	35-38	1"1/2	1"7/8-12	2"	44,5	24,5	27,5	70		
105	66.101.80.193232	50	2"	2"1/2-12	2"	49,5	24,5	33,9	70	

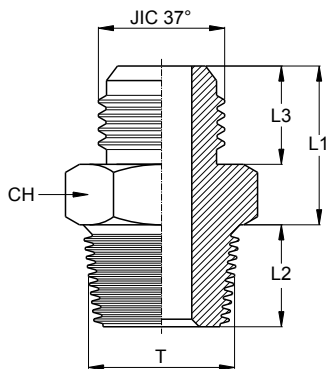
RACCORDS ET ADAPTEURS INOX JIC - SAE J514 - Iso 8434-2

Adaptateur mâle JIC x mâle BSP avec joint encastré

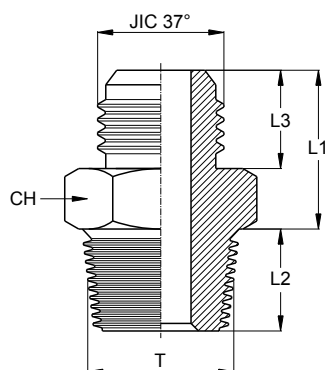


Série	Pression de service (bar)	Code	Ø Ext. Tube Métrique	Ø Ext. Tube Gaz	JIC 37°	Filetage T (BSP)	L1	L2	L3	CH
UNIVERSELLE	350	66.101.80.200402	6	1/4"	7/16"-20	1/8"	22,50	8,0	14,0	14
		66.101.80.200404	6	1/4"	7/16"-20	1/4"	22,50	11,0	14,0	19
		66.101.80.200406	6	1/4"	7/16"-20	3/8"	23,50	12,0	14,0	22
		66.101.80.200408	6	1/4"	7/16"-20	1/2"	23,50	14,0	14,0	27
		66.101.80.200502	8	5/16"	1/2"-20	1/8"	22,50	8,0	14,0	14
		66.101.80.200504	8	5/16"	1/2"-20	1/4"	22,50	11,0	14,0	19
		66.101.80.200506	8	5/16"	1/2"-20	3/8"	23,50	12,0	14,0	22
		66.101.80.200508	8	5/16"	1/2"-20	1/2"	23,50	14,0	14,0	27
		66.101.80.200602	10	3/8"	9/16"-18	1/8"	23,40	8,0	14,1	17
		66.101.80.200604	10	3/8"	9/16"-18	1/4"	23,40	11,0	14,1	19
		66.101.80.200606	10	3/8"	9/16"-18	3/8"	23,60	12,0	14,1	22
		66.101.80.200608	10	3/8"	9/16"-18	1/2"	23,60	14,0	14,1	27
		66.101.80.200804	12	1/2"	3/4"-16	1/4"	25,80	12,0	16,7	22
		66.101.80.200806	12	1/2"	3/4"-16	3/8"	26,20	12,0	16,7	22
		66.101.80.200808	12	1/2"	3/4"-16	1/2"	26,20	14,0	16,7	27
		66.101.80.200812	12	1/2"	3/4"-16	3/4"	27,70	16,0	16,7	32
	66.101.80.201006	14-15-16	5/8"	7/8"-14	3/8"	30,20	12,0	19,3	24	
	66.101.80.201008	14-15-16	5/8"	7/8"-14	1/2"	30,20	14,0	19,3	27	
	66.101.80.201012	14-15-16	5/8"	7/8"-14	3/4"	30,70	16,0	19,3	32	
	66.101.80.201016	14-15-16	5/8"	7/8"-14	1"	32,30	19,0	19,3	41	
	66.101.80.201206	18-20	3/4"	1"1/16-12	3/8"	34,60	12,0	21,9	30	
	66.101.80.201208	18-20	3/4"	1"1/16-12	1/2"	34,60	14,0	21,9	30	
	66.101.80.201212	18-20	3/4"	1"1/16-12	3/4"	35,10	16,0	21,9	32	
	66.101.80.201216	18-20	3/4"	1"1/16-12	1"	35,10	19,0	21,9	41	
	66.101.80.201220	18-20	3/4"	1"1/16-12	1"1/4	35,10	20,0	21,9	50	
	66.101.80.201612	25	1"	1"5/16-12	3/4"	35,90	16,0	23,1	36	
	66.101.80.201616	25	1"	1"5/16-12	1"	36,10	19,0	23,1	41	
	66.101.80.201620	25	1"	1"5/16-12	1"1/4	36,10	20,0	23,1	50	
	66.101.80.201624	25	1"	1"5/16-12	1"1/2	37,60	20,0	23,1	55	
	66.101.80.202016	28-30-32	1"1/4	1"5/8-12	1"	39,20	19,0	24,3	46	
	66.101.80.202020	28-30-32	1"1/4	1"5/8-12	1"1/4	39,20	20,0	24,3	50	
	66.101.80.202024	28-30-32	1"1/4	1"5/8-12	1"1/2	39,20	20,0	24,3	55	
66.101.80.202032	28-30-32	1"1/4	1"5/8-12	2"	39,80	24,5	24,3	70		
66.101.80.202416	35-38	1"1/2	1"7/8-12	1"	44,50	19,0	27,5	50		
66.101.80.202420	35-38	1"1/2	1"7/8-12	1"1/4	44,50	20,0	27,5	50		
66.101.80.202424	35-38	1"1/2	1"7/8-12	1"1/2	44,50	20,0	27,5	55		
66.101.80.202432	35-38	1"1/2	1"7/8-12	2"	44,50	24,5	27,5	70		
105	66.101.80.203232	50	2"	2"1/2-12	2"	49,50	24,5	33,9	70	

Adapteur mâle JIC x mâle gaz cône



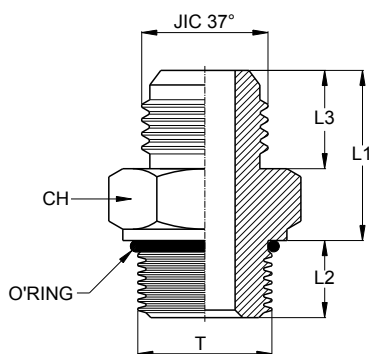
Série	Pression de service (bar)	Code	Ø Ext. Tube Métrique	Ø Ext. Tube Gaz	JIC 37°	Filetage T (Gaz)	L1	L2	L3	CH
UNIVERSELLE	350	66.101.80.260402	6	1/4"	7/16"-20	1/8"	21,0	8,0	14,0	14
		66.101.80.260404	6	1/4"	7/16"-20	1/4"	21,0	13,0	14,0	14
		66.101.80.260408	6	1/4"	7/16"-20	1/2"	23,5	17,0	14,0	22
		66.101.80.260502	8	5/16"	1/2"-20	1/8"	21,0	8,0	14,0	14
		66.101.80.260504	8	5/16"	1/2"-20	1/4"	21,0	13,0	14,0	14
		66.101.80.260506	8	5/16"	1/2"-20	3/8"	22,5	14,0	14,0	19
		66.101.80.260602	10	3/8"	9/16"-18	1/8"	21,9	8,0	14,1	17
		66.101.80.260604	10	3/8"	9/16"-18	1/4"	21,9	13,0	14,1	17
		66.101.80.260606	10	3/8"	9/16"-18	3/8"	22,6	14,0	14,1	19
		66.101.80.260608	10	3/8"	9/16"-18	1/2"	23,6	17,0	14,1	22
		66.101.80.260804	12	1/2"	3/4"-16	1/4"	24,3	13,0	16,7	22
		66.101.80.260806	12	1/2"	3/4"-16	3/8"	25,2	14,0	16,7	22
		66.101.80.260808	12	1/2"	3/4"-16	1/2"	26,2	17,0	16,7	22
		66.101.80.260812	12	1/2"	3/4"-16	3/4"	26,7	17,5	16,7	27
		66.101.80.261006	14-15-16	5/8"	7/8"-14	3/8"	28,7	14,0	19,3	24
		66.101.80.261008	14-15-16	5/8"	7/8"-14	1/2"	28,8	17,0	19,3	24
	66.101.80.261012	14-15-16	5/8"	7/8"-14	3/4"	29,3	17,5	19,3	27	
	66.101.80.261208	18-20	3/4"	1"1/16-12	1/2"	33,1	17,0	21,9	30	
	66.101.80.261212	18-20	3/4"	1"1/16-12	3/4"	33,1	17,5	21,9	30	
	66.101.80.261216	18-20	3/4"	1"1/16-12	1"	33,1	22,0	21,9	36	
	66.101.80.261612	25	1"	1"5/16-12	3/4"	33,9	17,5	23,1	36	
	66.101.80.261616	25	1"	1"5/16-12	1"	34,1	22,0	23,1	36	
	66.101.80.261620	25	1"	1"5/16-12	1"1/4	34,1	24,0	23,1	46	
	66.101.80.261624	25	1"	1"5/16-12	1"1/2	34,6	24,0	23,1	50	
	66.101.80.262016	28-30-32	1"1/4	1"5/8-12	1"	37,2	22,0	24,3	46	
	66.101.80.262020	28-30-32	1"1/4	1"5/8-12	1"1/4	37,2	24,0	24,3	46	
	66.101.80.262024	28-30-32	1"1/4	1"5/8-12	1"1/2	37,2	24,0	24,3	50	
	66.101.80.262420	35-38	1"1/2	1"7/8-12	1"1/4	42,5	24,0	27,5	50	
66.101.80.262424	35-38	1"1/2	1"7/8-12	1"1/2	42,5	24,0	27,5	50		
105	66.101.80.263232	50	2"	2"1/2-12	2"	52,6	25,0	33,9	65	



Série	Pression de service (bar)	Code	Ø Ext. Tube Métrique	Ø Ext. Tube Gaz	JIC 37°	Filetage T (NPT)	L1	L2	L3	CH
UNIVERSELLE	350	66.101.80.250402	6	1/4"	7/16"-20	1/8"	21,0	10,0	14,0	14
		66.101.80.250404	6	1/4"	7/16"-20	1/4"	21,0	14,0	14,0	14
		66.101.80.250406	6	1/4"	7/16"-20	3/8"	22,5	14,0	14,0	19
		66.101.80.250408	6	1/4"	7/16"-20	1/2"	23,5	19,0	14,0	22
		66.101.80.250502	8	5/16"	1/2"-20	1/8"	21,0	10,0	14,0	14
		66.101.80.250504	8	5/16"	1/2"-20	1/4"	21,0	14,0	14,0	14
		66.101.80.250506	8	5/16"	1/2"-20	3/8"	22,5	14,0	14,0	19
		66.101.80.250602	10	3/8"	9/16"-18	1/8"	21,9	10,0	14,1	17
		66.101.80.250604	10	3/8"	9/16"-18	1/4"	21,9	14,0	14,1	17
		66.101.80.250606	10	3/8"	9/16"-18	3/8"	22,6	14,0	14,1	19
		66.101.80.250608	10	3/8"	9/16"-18	1/2"	23,6	19,0	14,1	22
		66.101.80.250804	12	1/2"	3/4"-16	1/4"	24,3	14,0	16,7	22
		66.101.80.250806	12	1/2"	3/4"-16	3/8"	25,2	14,0	16,7	22
		66.101.80.250808	12	1/2"	3/4"-16	1/2"	26,2	19,0	16,7	22
		66.101.80.250812	12	1/2"	3/4"-16	3/4"	26,7	19,0	16,7	27
		66.101.80.251006	14-15-16	5/8"	7/8"-14	3/8"	28,7	14,0	19,3	24
	66.101.80.251008	14-15-16	5/8"	7/8"-14	1/2"	28,8	19,0	19,3	24	
	66.101.80.251012	14-15-16	5/8"	7/8"-14	3/4"	29,3	19,0	19,3	27	
	66.101.80.251206	18-20	3/4"	1"1/16-12	3/8"	33,1	19,0	21,9	30	
	66.101.80.251208	18-20	3/4"	1"1/16-12	1/2"	33,1	19,0	21,9	30	
	66.101.80.251212	18-20	3/4"	1"1/16-12	3/4"	33,1	19,0	21,9	30	
	66.101.80.251216	18-20	3/4"	1"1/16-12	1"	33,1	24,0	21,9	36	
	66.101.80.251612	290	25	1"	1"5/16-12	3/4"	33,9	19,0	23,1	36
	66.101.80.251616		25	1"	1"5/16-12	1"	34,1	24,0	23,1	36
	66.101.80.251620		25	1"	1"5/16-12	1"1/4	34,1	24,5	23,1	46
	66.101.80.251624	240	25	1"	1"5/16-12	1"1/2	34,6	25,0	23,1	50
	66.101.80.252016		28-30-32	1"1/4	1"5/8-12	1"	37,2	24,0	24,3	46
	66.101.80.252020		28-30-32	1"1/4	1"5/8-12	1"1/4	37,2	24,5	24,3	46
	66.101.80.252024		28-30-32	1"1/4	1"5/8-12	1"1/2	37,2	25,0	24,3	50
	66.101.80.252420		35-38	1"1/2	1"7/8-12	1"1/4	42,5	24,5	27,5	50
	66.101.80.252424		35-38	1"1/2	1"7/8-12	1"1/2	42,5	25,0	27,5	50
	105	66.101.80.253232	50	2"	2"1/2-12	2"	52,6	26,0	33,9	65

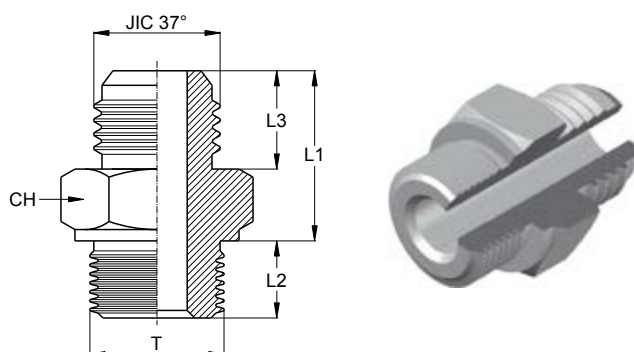
RACCORDS ET ADAPTEURS INOX JIC - SAE J514 - Iso 8434-2

Adaptateur mâle JIC x mâle UNF/UN-2A avec joint O-ring



Série	Pression de service (bar)	Code	Ø Ext. Tube Métrique	Ø Ext. Tube Gaz	JIC 37°	Filetage T (UNF)	L1	L2	L3	CH
UNIVERSELLE	400	66.101.80.210404	6	1/4"	7/16"-20	7/16"-20	21,9	9,1	14,0	14
		66.101.80.210405	6	1/4"	7/16"-20	1/2"-20	21,9	9,1	14,0	17
	350	66.101.80.210406	6	1/4"	7/16"-20	9/16"-18	23,0	10,0	14,0	17
		66.101.80.210408	6	1/4"	7/16"-20	3/4"-16	23,9	11,1	14,0	22
	400	66.101.80.210505	8	5/16"	1/2"-20	1/2"-20	21,9	9,1	14,0	17
	350	66.101.80.210506	8	5/16"	1/2"-20	9/16"-18	23,0	10,0	14,0	17
		66.101.80.210604	10	3/8"	9/16"-18	7/16"-20	22,9	9,1	14,1	17
		66.101.80.210605	10	3/8"	9/16"-18	1/2"-20	22,9	9,1	14,1	17
		66.101.80.210606	10	3/8"	9/16"-18	9/16"-18	23,0	10,0	14,1	17
		66.101.80.210608	10	3/8"	9/16"-18	3/4"-16	23,9	11,1	14,1	22
		66.101.80.210610	10	3/8"	9/16"-18	7/8"-14	25,3	12,7	14,1	27
		66.101.80.210806	12	1/2"	3/4"-16	9/16"-18	26,5	10,0	16,7	22
		66.101.80.210808	12	1/2"	3/4"-16	3/4"-16	26,4	11,1	16,7	22
		66.101.80.210810	12	1/2"	3/4"-16	7/8"-14	27,8	12,7	16,7	27
		66.101.80.210812	12	1/2"	3/4"-16	1"1/16-12	29,9	15,1	16,7	32
		66.101.80.211008	14-15-16	5/8"	7/8"-14	3/4"-16	30,4	11,1	19,3	24
		66.101.80.211010	14-15-16	5/8"	7/8"-14	7/8"-14	30,3	12,7	19,3	27
		66.101.80.211012	14-15-16	5/8"	7/8"-14	1"1/16-12	32,4	15,1	19,3	32
		66.101.80.211208	18-20	3/4"	1"1/16-12	3/4"-16	33,9	11,1	21,9	30
		66.101.80.211210	18-20	3/4"	1"1/16-12	7/8"-14	33,8	12,7	21,9	30
		66.101.80.211212	18-20	3/4"	1"1/16-12	1"1/16-12	34,9	15,1	21,9	32
	290	66.101.80.211216	18-20	3/4"	1"1/16-12	1"5/16-12	35,4	15,1	21,9	41
		66.101.80.211610	25	1"	1"5/16-12	7/8"-14	36,3	12,7	23,1	36
		66.101.80.211612	25	1"	1"5/16-12	1"1/16-12	36,4	15,1	23,1	36
	240	66.101.80.211616	25	1"	1"5/16-12	1"5/16-12	36,4	15,1	23,1	41
		66.101.80.211620	25	1"	1"5/16-12	1"5/8-12	38,9	15,1	23,1	50
		66.101.80.212016	28-30-32	1"1/4	1"5/8-12	1"5/16-12	38,9	15,1	24,3	46
		66.101.80.212020	28-30-32	1"1/4	1"5/8-12	1"5/8-12	39,9	15,1	24,3	50
		66.101.80.212420	35-38	1"1/2	1"7/8-12	1"5/8-12	42,9	15,1	27,5	50
	66.101.80.212424	35-38	1"1/2	1"7/8-12	1"7/8-12	44,9	15,1	27,5	55	

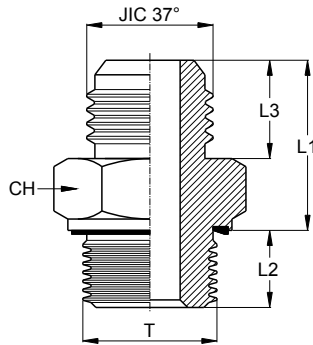
Adaptateur mâle JIC x mâle métrique



Série	Pression de service (bar)	Code	Ø Ext. Tube Métrique	Ø Ext. Tube Gaz	JIC 37°	Filetage T (métrique)	L1	L2	L3	CH
UNIVERSELLE	350	66.101.80.230410	6	1/4"	7/16"-20	10x1	22,0	8,0	14,0	14
		66.101.80.230412	6	1/4"	7/16"-20	12x1,5	22,5	12,0	14,0	17
		66.101.80.230510	8	5/16"	1/2"-20	10x1	22,0	8,0	14,0	14
		66.101.80.230512	8	5/16"	1/2"-20	12x1,5	22,5	12,0	14,0	17
		66.101.80.230514	8	5/16"	1/2"-20	14x1,5	22,5	12,0	14,0	19
		66.101.80.230614	10	3/8"	9/16"-18	14x1,5	23,4	12,0	14,1	19
		66.101.80.230616	10	3/8"	9/16"-18	16x1,5	23,4	12,0	14,1	22
		66.101.80.230814	12	1/2"	3/4"-16	14x1,5	25,8	12,0	16,7	19
		66.101.80.230816	12	1/2"	3/4"-16	16x1,5	25,8	12,0	16,7	22
		66.101.80.231022	14-15-16	5/8"	7/8"-14	22x1,5	30,8	14,0	19,3	27
	66.101.80.231222	18-20	3/4"	1"1/16-12	22x1,5	34,6	14,0	21,9	27	
	66.101.80.231227	18-20	3/4"	1"1/16-12	27x2	32,5	16,0	21,9	32	
	290	66.101.80.231627	25	1"	1"5/16-12	27x2	34,5	16,0	23,1	32
	66.101.80.231633	25	1"	1"5/16-12	33x2	34,5	18,0	23,1	41	
	240	66.101.80.232042	28-30-32	1"1/4	1"5/8-12	42x2	38,0	20,0	24,3	50
	66.101.80.232448	35-38	1"1/2	1"7/8-12	48x2	41,5	22,0	27,5	55	

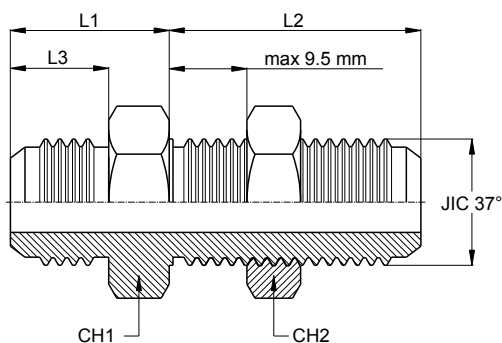
RACCORDS ET ADAPTEURS INOX **JIC** - SAE J514 - Iso 8434-2

Adaptateur mâle JIC x mâle métrique avec joint encastré



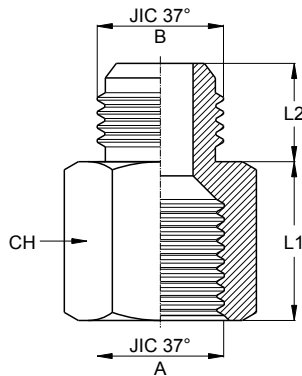
Série	Pression de service (bar)	Code	Ø Ext. Tube Métrique	Ø Ext. Tube Gaz	JIC 37°	Filetage T (métrique)	L1	L2	L3	CH
UNIVERSELLE	350	66.101.80.240410	6	1/4"	7/16"-20	10x1	22,0	8,0	14,0	14
		66.101.80.240412	6	1/4"	7/16"-20	12x1,5	22,5	12,0	14,0	17
		66.101.80.240510	8	5/16"	1/2"-20	10x1	22,0	8,0	14,0	14
		66.101.80.240512	8	5/16"	1/2"-20	12x1,5	22,5	12,0	14,0	17
		66.101.80.240514	8	5/16"	1/2"-20	14x1,5	22,5	12,0	14,0	19
		66.101.80.240614	10	3/8"	9/16"-18	14x1,5	23,4	12,0	14,1	19
		66.101.80.240616	10	3/8"	9/16"-18	16x1,5	23,4	12,0	14,1	22
		66.101.80.240814	12	1/2"	3/4"-16	14x1,5	25,8	12,0	16,7	19
		66.101.80.240816	12	1/2"	3/4"-16	16x1,5	25,8	12,0	16,7	22
		66.101.80.241022	14-15-16	5/8"	7/8"-14	22x1,5	30,8	14,0	19,3	27
	66.101.80.241222	18-20	3/4"	1"1/16-12	22x1,5	34,6	14,0	21,9	27	
	66.101.80.241227	18-20	3/4"	1"1/16-12	27x2	32,5	16,0	21,9	32	
	290	66.101.80.241627	25	1"	1"5/16-12	27x2	34,5	16,0	23,1	32
	66.101.80.241633	25	1"	1"5/16-12	33x2	34,5	18,0	23,1	41	
240	66.101.80.242042	28-30-32	1"1/4	1"5/8-12	42x2	38,0	20,0	24,3	50	
66.101.80.242448	35-38	1"1/2	1"7/8-12	48x2	41,5	22,0	27,5	55		

RACCORDS ET ADAPTEURS INOX **JIC** - SAE J514 - Iso 8434-2
Union double mâle JIC passe cloison avec contre-écrou

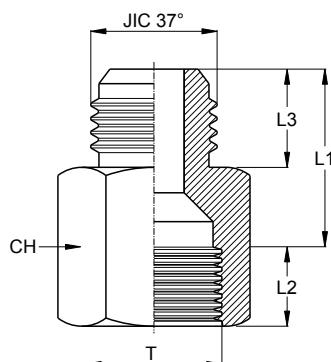


Série	Pression de service (bar)	Code	Ø Ext. Tube métrique	Ø Ext. Tube Gaz	JIC 37°	L1	L2	L3	CH1	CH2
UNIVERSELLE	450	66.101.80.530404	6	1/4"	7/16"-20	21,0	31,5	14,0	17	17
		66.101.80.530505	8	5/16"	1/2"-20	21,0	31,5	14,0	19	19
	350	66.101.80.530606	10	3/8"	9/16"-18	21,9	33,5	14,1	22	22
		66.101.80.530808	12	1/2"	3/4"-16	24,3	37,6	16,7	24	24
		66.101.80.531010	14-15-16	5/8"	7/8"-14	28,7	41,1	19,3	30	30
		66.101.80.531212	18-20	3/4"	1"1/16-12	33,1	45,4	21,9	36	36
	290	66.101.80.531616	25	1"	1"5/16-12	33,9	45,5	23,1	41	41
	240	66.101.80.532020	28-30-32	1"1/4	1"5/8-12	37,2	46,7	24,3	50	50
		66.101.80.532424	35-38	1"1/2	1"7/8-12	42,5	47,0	27,5	55	55
	105	66.101.80.533232	50	2"	2"1/2-12	52,6	53,0	33,9	65	70

Union mâle JIC x femelle JIC

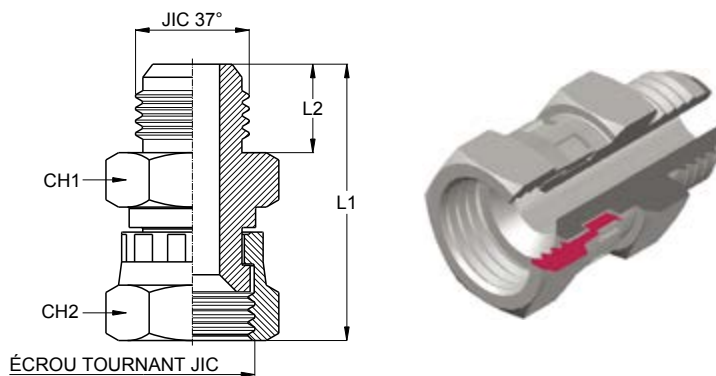


Série	Pression de service (bar)	Code	Ø Ext. Tube A Métrique	Ø Ext. Tube B Métrique	Ø Ext. Tube A Gaz	Ø Ext. Tube B Gaz	JIC 37° A	JIC 37° B	L1	L2	CH
UNIVERSELLE	350	66.101.80.310604	10	6	3/8"	1/4"	9/16"-18	7/16"-20	19,0	14,0	19
		66.101.80.310804	12	6	1/2"	1/4"	3/4"-16	7/16"-20	21,9	14,0	22
		66.101.80.310805	12	8	1/2"	5/16"	3/4"-16	1/2"-20	21,9	14,0	22
		66.101.80.310806	12	10	1/2"	3/8"	3/4"-16	9/16"-18	21,8	14,1	22
		66.101.80.311004	14-15-16	6	5/8"	1/4"	7/8"-14	7/16"-20	25,2	14,0	27
		66.101.80.311005	14-15-16	8	5/8"	5/16"	7/8"-14	1/2"-20	25,2	14,0	27
		66.101.80.311006	14-15-16	10	5/8"	3/8"	7/8"-14	9/16"-18	25,1	14,1	27
		66.101.80.311204	18-20	6	3/4"	1/4"	1"1/16-12	7/16"-20	26,4	14,0	32
		66.101.80.311205	18-20	8	3/4"	5/16"	1"1/16-12	1/2"-20	26,4	14,0	32
	66.101.80.311206	18-20	10	3/4"	3/8"	1"1/16-12	9/16"-18	26,3	14,1	32	
	66.101.80.311207	18-20	12	3/4"	1/2"	1"1/16-12	3/4"-16	26,2	16,7	32	
	290	66.101.80.311604	25	6	1"	1/4"	1"5/16-12	7/16"-20	29,3	14,0	41
		66.101.80.311605	25	8	1"	5/16"	1"5/16-12	1/2"-20	29,3	14,0	41
		66.101.80.311606	25	10	1"	3/8"	1"5/16-12	9/16"-18	29,2	14,1	41
		66.101.80.311608	25	12	1"	1/2"	1"5/16-12	3/4"-16	28,6	16,7	41
		66.101.80.311610	25	14-15-16	1"	5/8"	1"5/16-12	7/8"-14	24,5	19,3	41
		66.101.80.311612	25	18-20	1"	3/4"	1"5/16-12	1"1/16-12	28,9	21,9	41
	240	66.101.80.312004	28-30-32	6	1"1/4	1/4"	1"5/8-12	7/16"-20	31,8	14,0	50
		66.101.80.312005	28-30-32	8	1"1/4	5/16"	1"5/8-12	1/2"-20	31,8	14,0	50
		66.101.80.312006	28-30-32	10	1"1/4	3/8"	1"5/8-12	9/16"-18	31,7	14,1	50
		66.101.80.312008	28-30-32	12	1"1/4	1/2"	1"5/8-12	3/4"-16	31,6	16,7	50
		66.101.80.312010	28-30-32	14-15-16	1"1/4	5/8"	1"5/8-12	7/8"-14	31,5	19,3	50
		66.101.80.312012	28-30-32	18-20	1"1/4	3/4"	1"5/8-12	1"1/16-12	31,4	21,9	50
		66.101.80.312016	28-30-32	25	1"1/4	1"	1"5/8-12	1"5/16-12	31,7	23,1	50
		66.101.80.312404	35-38	6	1"1/2	1/4"	1"7/8-12	7/16"-20	36,4	14,0	60
		66.101.80.312405	35-38	8	1"1/2	5/16"	1"7/8-12	1/2"-20	36,4	14,0	60
		66.101.80.312406	35-38	10	1"1/2	3/8"	1"7/8-12	9/16"-18	36,3	14,1	60
		66.101.80.312408	35-38	12	1"1/2	1/2"	1"7/8-12	3/4"-16	36,2	16,7	60
		66.101.80.312410	35-38	14-15-16	1"1/2	5/8"	1"7/8-12	7/8"-14	36,1	19,3	60
		66.101.80.312412	35-38	18-20	1"1/2	3/4"	1"7/8-12	1"1/16-12	36,5	21,9	60
		66.101.80.312416	35-38	25	1"1/2	1"	1"7/8-12	1"5/16-12	36,3	23,1	60
		66.101.80.312420	35-38	28-30-32	1"1/2	1"1/4	1"7/8-12	1"5/8-12	36,2	24,3	60



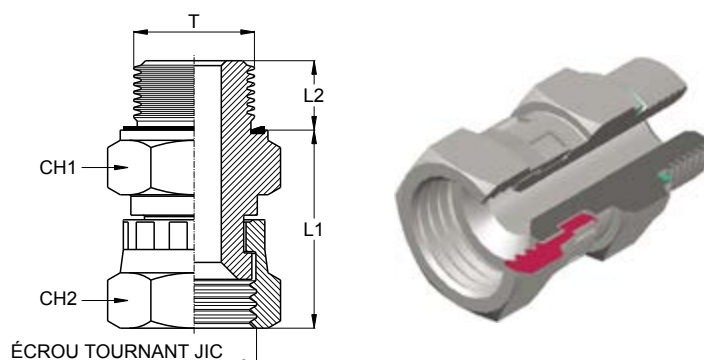
Série	Pression de service (bar)	Code	Ø Ext. Tube métrique	Ø Ext. Tube Gaz	JIC 37°	Filetage T (BSP)	L1	L2	L3	CH
UNIVERSELLE	350	66.101.80.290402	6	1/4"	7/16"-20	1/8"	20,0	10,0	14,0	14
		66.101.80.290404	6	1/4"	7/16"-20	1/4"	21,0	13,0	14,0	19
		66.101.80.290502	8	5/16"	1/2"-20	1/8"	20,0	10,0	14,0	14
		66.101.80.290504	8	5/16"	1/2"-20	1/4"	21,0	13,0	14,0	19
		66.101.80.290604	10	3/8"	9/16"-18	1/4"	21,0	13,0	14,1	19
		66.101.80.290606	10	3/8"	9/16"-18	3/8"	22,0	14,0	14,1	22
		66.101.80.290608	10	3/8"	9/16"-18	1/2"	23,5	16,0	14,1	27
		66.101.80.290804	12	1/2"	3/4"-16	1/4"	25,0	13,0	16,7	22
		66.101.80.290806	12	1/2"	3/4"-16	3/8"	25,0	14,0	16,7	22
		66.101.80.290808	12	1/2"	3/4"-16	1/2"	26,0	16,0	16,7	27
		66.101.80.291008	14-15-16	5/8"	7/8"-14	1/2"	28,5	16,0	19,3	27
	66.101.80.291208	18-20	3/4"	1"1/16-12	1/2"	31,0	16,0	21,9	30	
	66.101.80.291212	18-20	3/4"	1"1/16-12	3/4"	32,0	18,0	21,9	30	
	290	66.101.80.291616	25	1"	1"5/16-12	1"	32,5	21,0	23,1	41
240	66.101.80.292016	28-30-32	1"1/4	1"5/8-12	1"	34,0	21,0	24,3	46	
	66.101.80.292020	28-30-32	1"1/4	1"5/8-12	1"1/4	37,0	22,0	24,3	50	
	66.101.80.292420	35-38	1"1/2	1"7/8-12	1"1/4	40,5	22,0	27,5	50	
	66.101.80.292424	35-38	1"1/2	1"7/8-12	1"1/2	40,0	22,0	27,5	55	

Union mâle JIC x femelle JIC écrou tournant



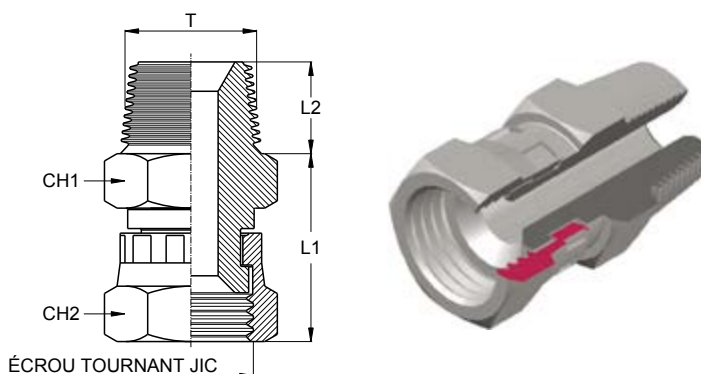
Série	Pression de service (bar)	Code	JIC 37°	JIC 37°	L1	L2	CH1	CH2
UNIVERSELLE	350	66.101.80.310404	7/16"-20	7/16"-20	41,0	14,0	14	17
		66.101.80.310505	1/2"-20	1/2"-20	41,0	14,0	14	17
		66.101.80.310606	9/16"-18	9/16"-18	41,9	14,1	17	19
		66.101.80.310808	3/4"-16	3/4"-16	48,3	16,7	22	24
		66.101.80.311010	7/8"-14	7/8"-14	55,7	19,3	24	27
	66.101.80.311212	1"1/16-12	1"1/16-12	62,1	21,9	27	32	
	290	66.101.80.311616	1"5/16-12	1"5/16-12	65,9	23,1	36	38
	240	66.101.80.312020	1"5/8-12	1"5/8-12	71,2	24,3	46	50
		66.101.80.312424	1"7/8-12	1"7/8-12	80,5	27,5	50	55

Adaptateur femelle JIC écrou tournant x mâle BSP avec joint encastré



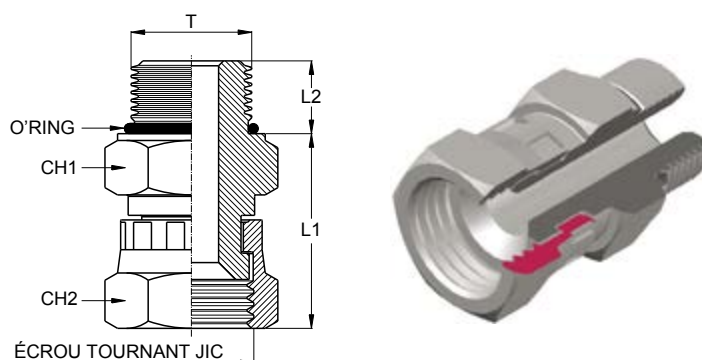
Série	Pression de service (bar)	Code	JIC 37°	Filetage T (BSP)	L1	L2	CH1	CH2
UNIVERSELLE	350	66.101.80.490402	7/16"-20	1/8"	27,5	8,0	14	17
		66.101.80.490404	7/16"-20	1/4"	28,5	11,0	19	17
		66.101.80.490406	7/16"-20	3/8"	29,5	12,0	22	17
		66.101.80.490502	1/2"-20	1/8"	27,5	8,0	14	17
		66.101.80.490504	1/2"-20	1/4"	28,5	11,0	19	17
		66.101.80.490506	1/2"-20	3/8"	29,5	12,0	22	17
		66.101.80.490604	9/16"-18	1/4"	28,5	11,0	19	19
		66.101.80.490606	9/16"-18	3/8"	29,5	12,0	22	19
		66.101.80.490608	9/16"-18	1/2"	29,5	14,0	27	19
		66.101.80.490804	3/4"-16	1/4"	32,5	11,0	19	24
		66.101.80.490806	3/4"-16	3/8"	33,5	12,0	22	24
		66.101.80.490808	3/4"-16	1/2"	33,5	14,0	27	24
	66.101.80.491006	7/8"-14	3/8"	36,5	12,0	22	27	
	66.101.80.491008	7/8"-14	1/2"	36,5	14,0	27	27	
	66.101.80.491012	7/8"-14	3/4"	38,0	16,0	32	27	
	66.101.80.491208	1"1/16-12	1/2"	38,5	14,0	27	32	
	66.101.80.491212	1"1/16-12	3/4"	40,0	16,0	32	32	
	66.101.80.491216	1"1/16-12	1"	42,0	18,0	41	32	
	66.101.80.491612	1"5/16-12	3/4"	43,0	16,0	32	38	
	66.101.80.491616	1"5/16-12	1"	45,0	18,0	41	38	
	66.101.80.491620	1"5/16-12	1"1/4	45,0	20,0	50	38	
	66.101.80.492016	1"5/8-12	1"	47,0	18,0	41	50	
	66.101.80.492020	1"5/8-12	1"1/4	47,0	20,0	50	50	
	66.101.80.492420	1"7/8-12	1"1/4	51,0	20,0	50	55	
66.101.80.492424	1"7/8-12	1"1/2	52,5	22,0	55	55		

Adapteur femelle JIC écrou tournant x mâle gaz cône



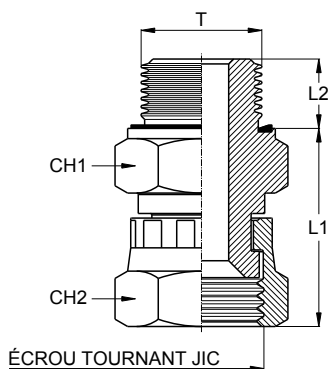
Série	Pression de service (bar)	Code	JIC 37°	Filetage T (Gaz)	L1	L2	CH1	CH2
UNIVERSELLE	350	66.101.80.470402	7/16"-20	1/8"	27,0	8,0	14	17
		66.101.80.470404	7/16"-20	1/4"	27,0	13,0	14	17
		66.101.80.470502	1/2"-20	1/8"	27,0	8,0	14	17
		66.101.80.470504	1/2"-20	1/4"	27,0	13,0	14	17
		66.101.80.470604	9/16"-18	1/4"	27,0	13,0	14	19
		66.101.80.470606	9/16"-18	3/8"	28,5	14,0	19	19
		66.101.80.470804	3/4"-16	1/4"	31,0	13,0	14	24
		66.101.80.470806	3/4"-16	3/8"	32,5	14,0	19	24
		66.101.80.470808	3/4"-16	1/2"	33,5	17,0	22	24
		66.101.80.471006	7/8"-14	3/8"	35,5	14,0	19	27
	66.101.80.471008	7/8"-14	1/2"	36,5	17,0	22	27	
	66.101.80.471012	7/8"-14	3/4"	37,0	17,5	27	27	
	66.101.80.471208	1"1/16-12	1/2"	38,5	17,0	22	32	
	66.101.80.471212	1"1/16-12	3/4"	39,0	17,5	27	32	
	66.101.80.471216	1"1/16-12	1"	40,0	22,0	36	32	
	66.101.80.471612	1"5/16-12	3/4"	42,0	17,5	27	38	
	66.101.80.471616	1"5/16-12	1"	43,0	22,0	36	38	
	66.101.80.472020	1"5/8-12	1"1/4"	45,0	24,0	46	50	
	66.101.80.472424	1"7/8-12	1"1/2"	49,5	24,0	50	55	

Adapteur femelle JIC écrou tournant x mâle UNF/UN-2A avec joint O-ring

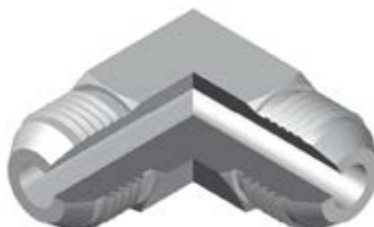
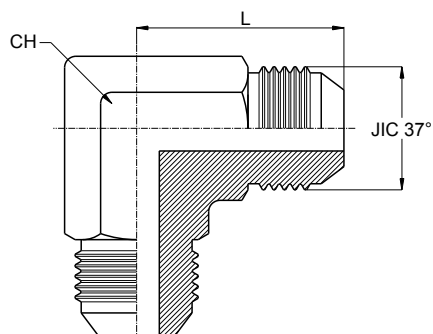


Série	Pression de service (bar)	Code	JIC 37°	Filetage T (UNF)	L1	L2	CH1	CH2
UNIVERSELLE	350	66.101.80.480404	7/16"-20	7/16"-20	28,5	9,1	14	17
		66.101.80.480405	7/16"-20	1/2"-20	28,5	9,1	17	17
		66.101.80.480406	7/16"-20	9/16"-18	29,3	10,0	17	17
		66.101.80.480505	1/2"-20	1/2"-20	28,5	9,1	17	17
		66.101.80.480606	9/16"-18	9/16"-18	29,3	10,0	17	19
		66.101.80.480608	9/16"-18	3/4"-16	29,6	11,1	22	19
		66.101.80.480808	3/4"-16	3/4"-16	33,6	11,1	22	24
		66.101.80.480810	3/4"-16	7/8"-14	35,4	12,7	27	24
		66.101.80.480812	3/4"-16	1"1/16-12	37,2	15,1	32	24
		66.101.80.481008	7/8"-14	3/4"-16	36,6	11,1	22	27
		66.101.80.481010	7/8"-14	7/8"-14	38,4	12,7	27	27
		66.101.80.481012	7/8"-14	1"1/16-12	40,2	15,1	32	27
	66.101.80.481208	1"1/16-12	3/4"-16	38,6	11,1	22	32	
	66.101.80.481210	1"1/16-12	7/8"-14	40,4	12,7	27	32	
	66.101.80.481212	1"1/16-12	1"1/16-12	42,2	15,1	32	32	
	66.101.80.481216	1"1/16-12	1"5/16-12	41,8	15,1	38	32	
	66.101.80.481612	1"5/16-12	1"1/16-12	45,2	15,1	32	38	
	66.101.80.481616	1"5/16-12	1"5/16-12	44,8	15,1	38	38	
	66.101.80.481620	1"5/16-12	1"5/8-12	46,9	15,1	50	38	
	66.101.80.482020	1"5/8-12	1"5/8-12	48,9	15,1	50	50	
66.101.80.482424	1"7/8-12	1"7/8-12	55,0	15,1	55	55		

Adaptateur femelle JIC écrou tournant x mâle métrique avec joint encastré

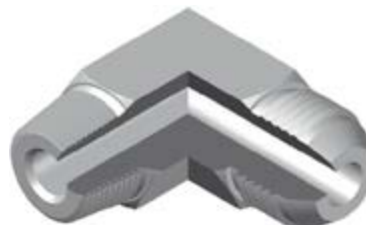
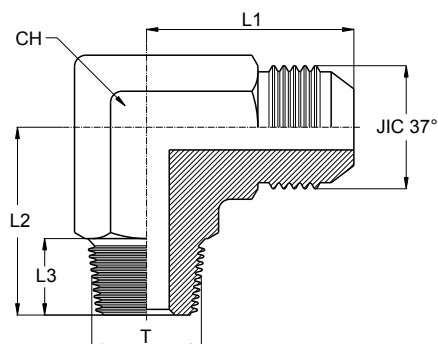


Série	Pression de service (bar)	Code	JIC 37°	Filetage T (métrique)	L1	L2	CH1	CH2
UNIVERSELLE	350	66.101.80.500410	7/16"-20	10x1	27,5	8,0	14	14
		66.101.80.500412	7/16"-20	12x1,5	28,5	8,0	17	14
		66.101.80.500510	1/2"-20	10x1	27,5	8,0	14	17
		66.101.80.500512	1/2"-20	12x1,5	28,5	8,0	17	17
		66.101.80.500514	1/2"-20	14x1,5	28,5	12,0	19	17
		66.101.80.500614	9/16"-18	14x1,5	28,5	12,0	19	19
		66.101.80.500616	9/16"-18	16x1,5	28,5	12,0	22	19
		66.101.80.500816	3/4"-16	16x1,5	32,5	12,0	22	22
		66.101.80.500818	3/4"-16	18x1,5	34,5	12,0	24	22
		66.101.80.501018	7/8"-14	18x1,5	37,5	12,0	24	27
		66.101.80.501020	7/8"-14	20x1,5	38,0	14,0	27	27
		66.101.80.501022	7/8"-14	22x1,5	38,5	14,0	27	27
	66.101.80.501222	1"1/16-12	22x1,5	40,5	14,0	27	32	
	66.101.80.501227	1"1/16-12	27x2	-	16,0	32	32	
	290	66.101.80.501627	1"5/16-12	27x2	-	16,0	32	41
		66.101.80.501633	1"5/16-12	33x2	-	18,0	41	41
240	66.101.80.502042	1"5/8-12	42x2	-	20,0	50	50	
	66.101.80.502448	1"7/8-12	48x2	-	22,0	55	60	

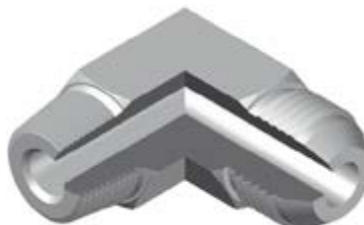
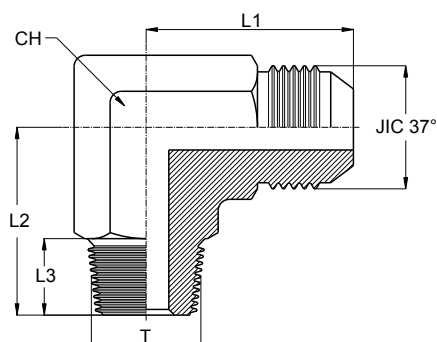


Série	Pression de service (bar)	Code	Ø Ext. Tube Métrique	Ø Ext. Tube Gaz	JIC 37°	L	CH
UNIVERSELLE	450	66.101.84.010404	6	1/4"	7/16"-20	23,0	12
		66.101.84.010505	8	5/16"	1/2"-20	24,0	14
	350	66.101.84.010606	10	3/8"	9/16"-18	27,5	14
		66.101.84.010808	12	1/2"	3/4"-16	32,0	19
		66.101.84.011010	14-15-16	5/8"	7/8"-14	37,0	22
		66.101.84.011212	18-20	3/4"	1"1/16-12	42,0	27
	290	66.101.84.011616	25	1"	1"5/16-12	46,0	33
	240	66.101.84.012020	28-30-32	1"1/4	1"5/8-12	53,0	41
		66.101.84.012424	35-38	1"1/2	1"7/8-12	59,0	50
	105	66.101.84.013232	50	2"	2"1/2-12	77,5	65

Coude 90° mâle JIC x mâle gaz cône

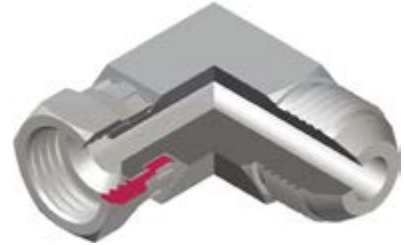
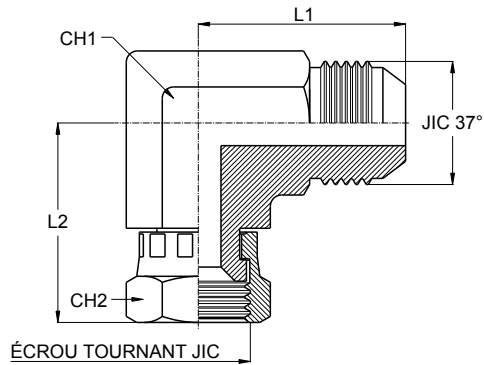


Série	Pression de service (bar)	Code	Ø Ext. Tube Métrique	Ø Ext. Tube Gaz	JIC 37°	Filetage T (Gaz)	L1	L2	L3	CH
UNIVERSELLE	350	66.101.84.120402	6	1/4"	7/16"-20	1/8"	23,0	20,0	8,0	12
		66.101.84.120404	6	1/4"	7/16"-20	1/4"	24,0	28,0	13,0	14
		66.101.84.120502	8	5/16"	1/2"-20	1/8"	24,0	20,0	8,0	12
		66.101.84.120504	8	5/16"	1/2"-20	1/4"	24,0	28,0	13,0	14
		66.101.84.120602	10	3/8"	9/16"-18	1/8"	25,5	20,0	8,0	12
		66.101.84.120604	10	3/8"	9/16"-18	1/4"	27,5	28,0	13,0	14
		66.101.84.120606	10	3/8"	9/16"-18	3/8"	29,5	31,0	14,0	19
		66.101.84.120608	10	3/8"	9/16"-18	1/2"	31,5	37,5	17,0	22
		66.101.84.120804	12	1/2"	3/4"-16	1/4"	32,0	31,0	13,0	14
		66.101.84.120806	12	1/2"	3/4"-16	3/8"	32,0	31,0	14,0	19
		66.101.84.120808	12	1/2"	3/4"-16	1/2"	34,0	37,5	17,0	22
		66.101.84.120812	12	1/2"	3/4"-16	3/4"	36,0	40,0	17,5	27
		66.101.84.121016	14-15-16	5/8"	7/8"-14	3/8"	37,0	31,0	14,0	22
		66.101.84.121018	14-15-16	5/8"	7/8"-14	1/2"	37,0	37,5	17,0	22
	66.101.84.121012	14-15-16	5/8"	7/8"-14	3/4"	39,0	40,0	17,5	27	
	66.101.84.121208	18-20	3/4"	1"1/16-12	1/2"	42,0	37,5	17,0	27	
	66.101.84.121212	18-20	3/4"	1"1/16-12	3/4"	42,0	40,0	17,5	27	
	290	66.101.84.121216	18-20	3/4"	1"1/16-12	1"	45,0	50,0	22,0	33
	66.101.84.121612	25	1"	1"5/16-12	3/4"	46,0	40,0	17,5	27	
	66.101.84.121616	25	1"	1"5/16-12	1"	46,0	50,0	22,0	33	
240	66.101.84.122016	28-30-32	1"1/4	1"5/8-12	1"	53,0	51,0	22,0	33	
66.101.84.122020	28-30-32	1"1/4	1"5/8-12	1"1/4	53,0	60,0	24,0	41		
66.101.84.122424	35-38	1"1/2	1"7/8-12	1"1/2	59,0	67,0	24,0	50		



Série	Pression de service (bar)	Code	Ø Ext. Tube Métrique	Ø Ext. Tube Gaz	JIC 37°	Filetage T (NPT)	L1	L2	L3	CH
UNIVERSELLE	350	66.101.84.110402	6	1/4"	7/16"-20	1/8"	23,0	20,0	10,0	12
		66.101.84.110404	6	1/4"	7/16"-20	1/4"	24,0	28,0	14,0	14
		66.101.84.110406	6	1/4"	7/16"-20	3/8"	29,0	31,0	14,0	19
		66.101.84.110408	6	1/4"	7/16"-20	1/2"	31,0	37,5	19,0	22
		66.101.84.110502	8	5/16"	1/2"-20	1/8"	24,0	20,0	10,0	12
		66.101.84.110504	8	5/16"	1/2"-20	1/4"	24,0	28,0	14,0	14
		66.101.84.110602	10	3/8"	9/16"-18	1/8"	25,5	20,0	10,0	12
		66.101.84.110604	10	3/8"	9/16"-18	1/4"	27,5	28,0	14,0	14
		66.101.84.110606	10	3/8"	9/16"-18	3/8"	29,5	31,0	14,0	19
		66.101.84.110608	10	3/8"	9/16"-18	1/2"	31,5	37,5	19,0	22
		66.101.84.110804	12	1/2"	3/4"-16	1/4"	32,0	31,0	14,0	14
		66.101.84.110806	12	1/2"	3/4"-16	3/8"	32,0	31,0	14,0	19
		66.101.84.110808	12	1/2"	3/4"-16	1/2"	34,0	37,5	19,0	22
		66.101.84.110812	12	1/2"	3/4"-16	3/4"	36,0	40,0	19,0	27
		66.101.84.111006	14-15-16	5/8"	7/8"-14	3/8"	37,0	31,0	14,0	22
		66.101.84.111008	14-15-16	5/8"	7/8"-14	1/2"	37,0	37,5	19,0	22
	66.101.84.111012	14-15-16	5/8"	7/8"-14	3/4"	39,0	40,0	19,0	27	
	66.101.84.111208	18-20	3/4"	1"1/16-12	1/2"	42,0	37,5	19,0	27	
	66.101.84.111212	18-20	3/4"	1"1/16-12	3/4"	42,0	40,0	19,0	27	
	66.101.84.111216	18-20	3/4"	1"1/16-12	1"	45,0	50,0	19,0	33	
	66.101.84.111612	25	1"	1"5/16-12	3/4"	46,0	40,0	19,0	27	
	66.101.84.111616	25	1"	1"5/16-12	1"	46,0	50,0	19,0	33	
	66.101.84.111620	25	1"	1"5/16-12	1"1/4	52,0	60,0	24,0	41	
	66.101.84.112016	28-30-32	1"1/4	1"5/8-12	1"	53,0	51,0	19,0	33	
66.101.84.112020	28-30-32	1"1/4	1"5/8-12	1"1/4	53,0	60,0	24,0	41		
66.101.84.112024	28-30-32	1"1/4	1"5/8-12	1"1/2	55,0	67,0	25,0	50		
66.101.84.112420	35-38	1"1/2	1"7/8-12	1"1/4	59,0	66,0	24,0	41		
66.101.84.112424	35-38	1"1/2	1"7/8-12	1"1/2	59,0	67,0	25,0	50		

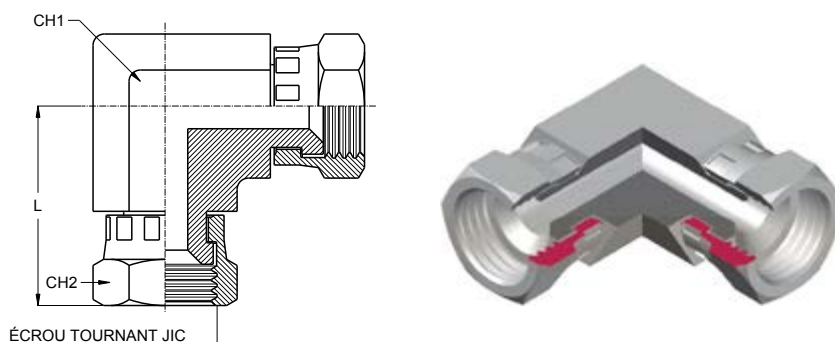
RACCORDS ET ADAPTEURS INOX JIC - SAE J514 - Iso 8434-2
Coude 90° mâle JIC x femelle JIC écrou tournant



Série	Pression de service (bar)	Code	Ø Ext. Tube Métrique	Ø Ext. Tube Gaz	JIC 37°	L1	L2	CH1	CH2
UNIVERSELLE	450	66.101.84.090404	6	1/4"	7/16"-20	22,5	25,2	12	17
		66.101.84.090505	8	5/16"	1/2"-20	24,0	25,9	14	17
	350	66.101.84.090606	10	3/8"	9/16"-18	27,0	30,8	14	19
		66.101.84.090808	12	1/2"	3/4"-16	32,0	33,9	19	24
		66.101.84.091010	14-15-16	5/8"	7/8"-14	37,0	40,9	22	27
	290	66.101.84.091212	18-20	3/4"	1"1/16-12	42,0	42,1	27	32
		66.101.84.091616	25	1"	1"5/16-12	46,0	49,7	33	38
	240	66.101.84.092020	28-30-32	1"1/4	1"5/8-12	52,5	56,3	41	50
		66.101.84.092424	35-38	1"1/2	1"7/8-12	59,0	64,2	50	55

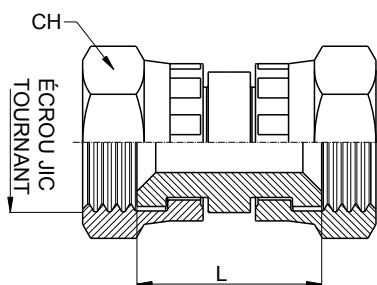
Coude égal 90° femelle JIC écrou tournant / Adapteur femelle JIC écrou tournant

Coude égal 90° femelle JIC écrou tournant



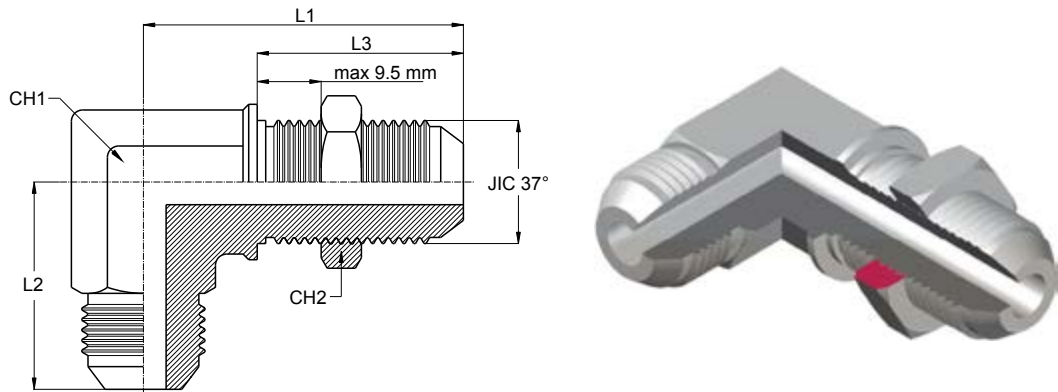
Série	Pression de service (bar)	Code	Ø Ext. Tube Métrique	Ø Ext. Tube Gaz	JIC 37°	L	CH1	CH2
UNIVERSELLE	450	66.101.84.100404	6	1/4"	7/16"-20	25,2	12	17
		66.101.84.100505	8	5/16"	1/2"-20	25,9	14	17
	350	66.101.84.100606	10	3/8"	9/16"-18	30,8	14	19
		66.101.84.100808	12	1/2"	3/4"-16	33,9	19	24
		66.101.84.101010	14-15-16	5/8"	7/8"-14	40,9	22	27
		66.101.84.101212	18-20	3/4"	1"1/16-12	42,1	27	32
	290	66.101.84.101616	25	1"	1"5/16-12	49,7	33	38
	240	66.101.84.102020	28-30-32	1"1/4	1"5/8-12	56,3	41	50
		66.101.84.102424	35-38	1"1/2	1"7/8-12	64,2	50	55

Adapteur femelle JIC écrou tournant



Série	Pression de service (bar)	Code	Ø Ext. Tube Métrique	Ø Ext. Tube Gaz	JIC 37°	L	CH
UNIVERSELLE	450	66.101.80.570404	6	1/4"	7/16"-20	25,5	17
		66.101.80.570505	8	5/16"	1/2"-20	20,5	17
	350	66.101.80.570606	10	3/8"	9/16"-18	20,5	19
		66.101.80.570808	12	1/2"	3/4"-16	24,5	24
		66.101.80.571010	14-15-16	5/8"	7/8"-14	24,5	27
		66.101.80.571212	18-20	3/4"	1"1/16-12	32,0	32
	290	66.101.80.571616	25	1"	1"5/16-12	35,0	38
	240	66.101.80.572020	28-30-32	1"1/4	1"5/8-12	40,0	50
		66.101.80.572424	35-38	1"1/2	1"7/8-12	41,5	55

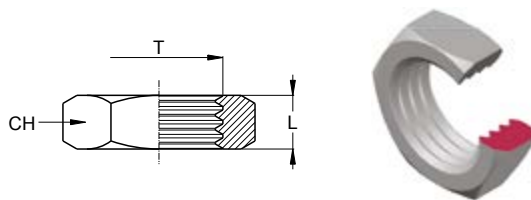
Coude égal 90° mâle JIC passe cloison avec contre-écrou



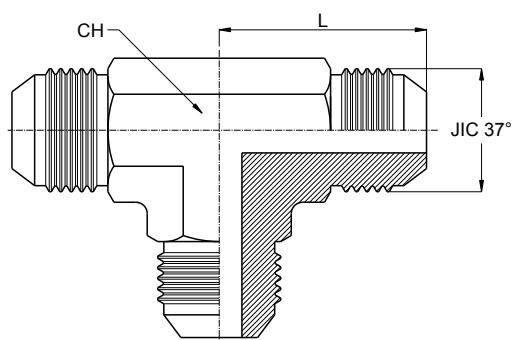
Série	Pression de service (bar)	Code*	Ø Ext. Tube Métrique	Ø Ext. Tube Gaz	JIC 37°	L1	L2	L3	CH1	CH2
UNIVERSELLE	450	66.101.84.130404	6	1/4"	7/16"-20	40,5	24,5	28,3	12	17
		66.101.84.130505	8	5/16"	1/2"-20	43,5	27,0	28,3	14	19
	350	66.101.84.130606	10	3/8"	9/16"-18	46,0	27,5	30,1	14	22
		66.101.84.130808	12	1/2"	3/4"-16	53,5	34,5	35,0	19	24
		66.101.84.131010	14-15-16	5/8"	7/8"-14	60,5	39,5	38,5	22	30
		66.101.84.131212	18-20	3/4"	1"1/16-12	68,0	45,0	42,8	27	36
	290	66.101.84.131616	25	1"	1"5/16-12	71,0	49,5	42,8	33	41
	240	66.101.84.132020	28-30-32	1"1/4	1"5/8-12	79,0	55,0	44,1	41	50
		66.101.84.132424	35-38	1"1/2	1"7/8-12	87,0	59,5	44,3	50	55

*Fourni avec contre-écrou

Contre-écrou pour passe cloison JIC

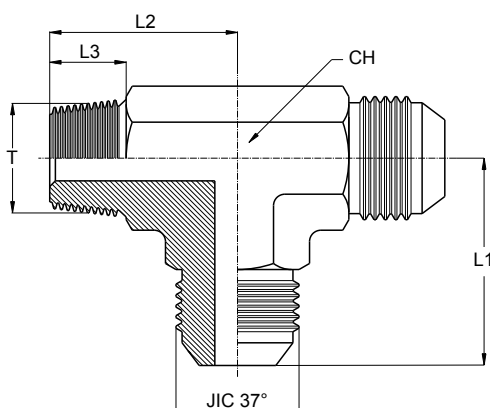


Série	Pression de service (bar)	Code	T	L	CH
UNIVERSELLE	450	66.101.80.990404	7/16"-20	7,1	17
		66.101.80.990505	1/2"-20	7,1	19
	350	66.101.80.990606	9/16"-18	7,1	22
		66.101.80.990808	3/4"-16	7,9	24
		66.101.80.991010	7/8"-14	9,1	30
		66.101.80.991212	1"1/16-12	10,4	36
	290	66.101.80.991616	1"5/16-12	10,4	41
	240	66.101.80.992020	1"5/8-12	10,4	50
		66.101.80.992424	1"7/8-12	10,4	55
	105	66.101.80.993232	2"1/2-12	10,4	70

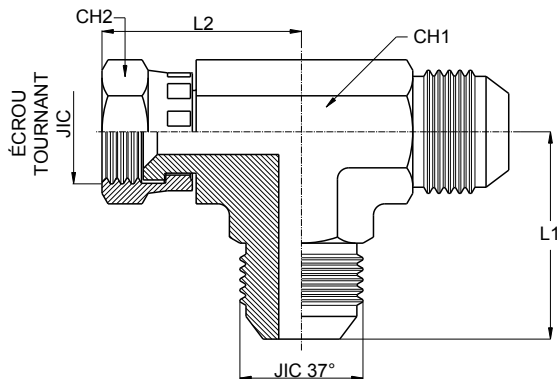


Série	Pression de service (bar)	Code	Ø Ext. Tube Métrique	Ø Ext. Tube Gaz	JIC 37°	L	CH
UNIVERSELLE	450	66.101.84.510404	6	1/4"	7/16"-20	23,0	12
		66.101.84.510505	8	5/16"	1/2"-20	24,0	14
	350	66.101.84.510606	10	3/8"	9/16"-18	27,5	14
		66.101.84.510808	12	1/2"	3/4"-16	32,0	19
		66.101.84.511010	14-15-16	5/8"	7/8"-14	37,0	22
		66.101.84.511212	18-20	3/4"	1"1/16-12	42,0	27
	290	66.101.84.511616	25	1"	1"5/16-12	46,0	33
	240	66.101.84.512020	28-30-32	1"1/4	1"5/8-12	53,0	41
		66.101.84.512424	35-38	1"1/2	1"7/8-12	59,0	50
	105	66.101.84.513232	50	2"	2"1/2-12	77,5	65

Té mâle JIC x mâle gaz cône latéral

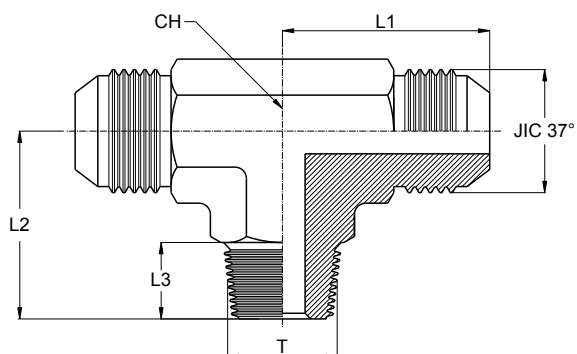


Série	Pression de service (bar)	Code	Ø Ext. Tube Métrique	Ø Ext. Tube Gaz	JIC 37°	Filetage T (Gaz)	L1	L2	L3	CH
UNIVERSELLE	350	66.101.84.690402	6	1/4"	7/16"-20	1/8"	23,0	20,0	8,0	12
		66.101.84.690404	6	1/4"	7/16"-20	1/4"	24,0	28,0	13,0	14
		66.101.84.690502	8	5/16"	1/2"-20	1/8"	24,0	20,0	8,0	12
		66.101.84.690504	8	5/16"	1/2"-20	1/4"	24,0	28,0	13,0	14
		66.101.84.690604	10	3/8"	9/16"-18	1/4"	27,5	28,0	13,0	14
		66.101.84.690606	10	3/8"	9/16"-18	3/8"	29,5	31,0	14,0	19
		66.101.84.690806	12	1/2"	3/4"-16	3/8"	32,0	31,0	14,0	19
		66.101.84.690808	12	1/2"	3/4"-16	1/2"	34,0	37,5	17,0	22
		66.101.84.691016	14-15-16	5/8"	7/8"-14	3/8"	37,0	31,0	14,0	22
		66.101.84.691018	14-15-16	5/8"	7/8"-14	1/2"	37,0	37,5	17,0	22
	66.101.84.691012	14-15-16	5/8"	7/8"-14	3/4"	39,0	40,0	17,5	27	
	66.101.84.691208	18-20	3/4"	1"1/16-12	1/2"	42,0	37,5	17,0	22	
	66.101.84.691212	18-20	3/4"	1"1/16-12	3/4"	42,0	40,0	17,5	27	
	66.101.84.691612	25	1"	1"5/16-12	3/4"	46,0	40,0	17,5	27	
	66.101.84.691616	25	1"	1"5/16-12	1"	46,0	50,0	22,0	33	
66.101.84.692016	28-30-32	1"1/4	1"5/8-12	1"	53,0	51,0	22,0	33		
66.101.84.692020	28-30-32	1"1/4	1"5/8-12	1"1/4	53,0	60,0	24,0	41		
66.101.84.692424	35-38	1"1/2	1"7/8-12	1"1/2	59,0	67,0	24,0	50		

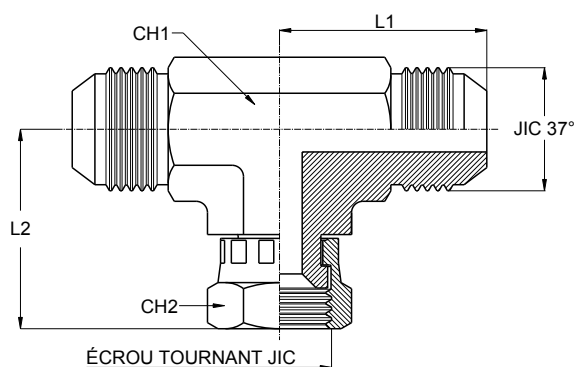


Série	Pression de service (bar)	Code	Ø Ext. Tube Métrique	Ø Ext. Tube Gaz	JIC 37°	L1	L2	CH1	CH2
UNIVERSELLE	450	66.101.84.590404	6	1/4"	7/16"-20	23,0	25,2	12	17
		66.101.84.590505	8	5/16"	1/2"-20	24,0	25,9	14	17
	350	66.101.84.590606	10	3/8"	9/16"-18	27,5	30,8	14	19
		66.101.84.590808	12	1/2"	3/4"-16	32,0	33,9	19	24
		66.101.84.591010	14-15-16	5/8"	7/8"-14	37,0	40,9	22	27
		66.101.84.591212	18-20	3/4"	1"1/16-12	42,0	42,1	27	32
	290	66.101.84.591616	25	1"	1"5/16-12	46,0	49,7	33	38
	240	66.101.84.592020	28-30-32	1"1/4	1"5/8-12	53,0	56,3	41	50
		66.101.84.592424	35-38	1"1/2	1"7/8-12	59,0	64,2	50	55

Té mâle JIC x mâle gaz cône central

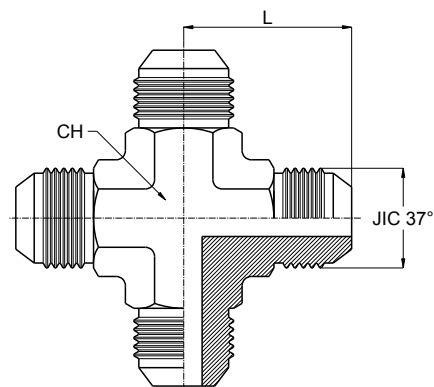


Série	Pression de service (bar)	Code	Ø Ext. Tube Métrique	Ø Ext. Tube Gaz	JIC 37°	Filetage T (Gaz)	L1	L2	L3	CH
UNIVERSELLE	350	66.101.84.670402	6	1/4"	7/16"-20	1/8"	23,0	20,0	8,0	12
		66.101.84.670404	6	1/4"	7/16"-20	1/4"	24,0	28,0	13,0	14
		66.101.84.670502	8	5/16"	1/2"-20	1/8"	24,0	20,0	8,0	12
		66.101.84.670504	8	5/16"	1/2"-20	1/4"	24,0	28,0	13,0	14
		66.101.84.670604	10	3/8"	9/16"-18	1/4"	27,5	28,0	13,0	14
		66.101.84.670606	10	3/8"	9/16"-18	3/8"	29,5	31,0	14,0	19
		66.101.84.670806	12	1/2"	3/4"-16	3/8"	32,0	31,0	14,0	19
		66.101.84.670808	12	1/2"	3/4"-16	1/2"	34,0	37,5	17,0	22
		66.101.84.671006	14-15-16	5/8"	7/8"-14	3/8"	37,0	31,0	14,0	22
		66.101.84.671008	14-15-16	5/8"	7/8"-14	1/2"	37,0	37,5	17,0	22
	66.101.84.671012	14-15-16	5/8"	7/8"-14	3/4"	39,0	40,0	17,5	27	
	66.101.84.671208	18-20	3/4"	1"1/16-12	1/2"	42,0	37,5	17,0	22	
	66.101.84.671212	18-20	3/4"	1"1/16-12	3/4"	42,0	40,0	17,5	27	
	66.101.84.671612	25	1"	1"5/16-12	3/4"	46,0	40,0	17,5	27	
	66.101.84.671616	25	1"	1"5/16-12	1"	46,0	50,0	22,0	33	
66.101.84.672016	28-30-32	1"1/4	1"5/8-12	1"	53,0	51,0	22,0	33		
66.101.84.672020	28-30-32	1"1/4	1"5/8-12	1"1/4	53,0	60,0	24,0	41		
66.101.84.672424	35-38	1"1/2	1"7/8-12	1"1/2	59,0	67,0	24,0	50		



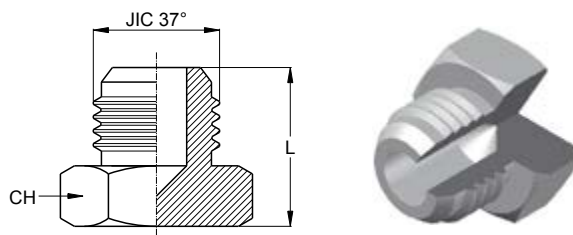
Série	Pression de service (bar)	Code	Ø Ext. Tube Métrique	Ø Ext. Tube Gaz	JIC 37°	L1	L2	CH1	CH2
UNIVERSELLE	450	66.101.84.550404	6	1/4"	7/16"-20	23,0	25,2	12	17
		66.101.84.550505	8	5/16"	1/2"-20	24,0	25,9	14	17
	350	66.101.84.550606	10	3/8"	9/16"-18	27,5	30,8	14	19
		66.101.84.550808	12	1/2"	3/4"-16	32,0	33,9	19	24
		66.101.84.551010	14-15-16	5/8"	7/8"-14	37,0	40,9	22	27
		66.101.84.551212	18-20	3/4"	1"1/16-12	42,0	42,1	27	32
	290	66.101.84.551616	25	1"	1"5/16-12	46,0	49,7	33	38
	240	66.101.84.552020	28-30-32	1"1/4	1"5/8-12	53,0	56,3	41	50
		66.101.84.552424	35-38	1"1/2	1"7/8-12	59,0	64,2	50	55

Croix égale mâle JIC



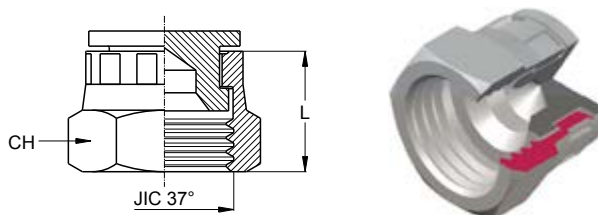
Série	Pression de service (bar)	Code	Ø Ext. Tube Métrique	Ø Ext. Tube Gaz	JIC 37°	L	CH
UNIVERSELLE	450	66.101.300404	6	1/4"	7/16"-20	23,0	12
		66.101.300505	8	5/16"	1/2"-20	24,0	14
	350	66.101.300606	10	3/8"	9/16"-18	27,5	14
		66.101.300808	12	1/2"	3/4"-16	32,0	19
		66.101.301010	14-15-16	5/8"	7/8"-14	37,0	22
		66.101.301212	18-20	3/4"	1"1/16-12	42,0	27
	290	66.101.301616	25	1"	1"5/16-12	46,0	33
	240	66.101.302020	28-30-32	1"1/4	1"5/8-12	53,0	41
		66.101.302424	35-38	1"1/2	1"7/8-12	59,0	50
	105	66.101.303232	50	2"	2"1/2-12	77,5	65

Bouchon mâle JIC



Série	Pression de service (bar)	Code	Ø Ext. Tube Métrique	Ø Ext. Tube Gaz	JIC 37°	L	CH
UNIVERSELLE	450	66.101.80.450404	6	1/4"	7/16"-20	21,0	14
		66.101.80.450505	8	5/16"	1/2"-20	21,0	14
	350	66.101.80.450606	10	3/8"	9/16"-18	21,9	17
		66.101.80.450808	12	1/2"	3/4"-16	24,3	22
		66.101.80.451010	14-15-16	5/8"	7/8"-14	28,7	24
		66.101.80.451212	18-20	3/4"	1"1/16-12	33,1	30
	290	66.101.80.451616	25	1"	1"5/16-12	33,9	36
	240	66.101.80.452020	28-30-32	1"1/4	1"5/8-12	37,2	46
		66.101.80.452424	35-38	1"1/2	1"7/8-12	42,5	50
	105	66.101.80.453232	50	2"	2"1/2-12	52,6	65

Bouchon femelle JIC avec écrou tournant



Série	Pression de service (bar)	Code	W	L	CH
UNIVERSELLE	450	66.101.80.430404	7/16"-20	17,0	17
		66.101.80.430505	1/2"-20	17,0	17
	350	66.101.80.430606	9/16"-18	17,0	19
		66.101.80.430808	3/4"-16	21,0	24
		66.101.80.431010	7/8"-14	24,0	27
		66.101.80.431212	1"1/16-12	26,0	32
	290	66.101.80.431616	1"5/16-12	29,0	38
	240	66.101.80.432020	1"5/8-12	31,0	50
		66.101.80.432424	1"7/8-12	35,0	55
	105	66.101.80.433232	2"1/2-12	-	-