

RACCORDS ET ADAPTEURS INOX

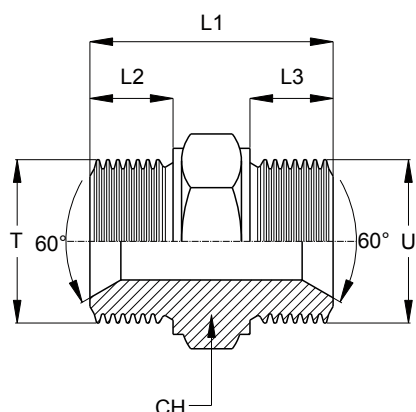
BSP - BSI 5200 - Iso 8434-6



Union double mâle BSP	161
Union de réduction mâle BSP	162
Union double mâle métrique et union de réduction	163
Union double mâle gaz cône et union de réduction	164
Union double mâle NPT et union de réduction	165
Adapteur mâle BSP x mâle métrique	166
Adapteur mâle BSP x Mâle Gaz cône / Réduction	167
Adapteur mâle BSP x mâle NPT	168
Adapteur mâle gaz cône x mâle NPT	169
Union double passe cloison mâle BSP + contre-écrou	170
Union double femelle BSP cylindrique et réduction	171
Union double femelle métrique	172
Union double femelle NPT	172
Union double femelle BSP tournant	173
Adapteur mâle BSP x femelle BSP	174
Adapteur mâle BSP x femelle BSP tournant	175
Adapteur mâle BSP x femelle BSP tournant avec joint encastré	176
Adapteur mâle gaz cône x femelle BSP tournant	177
Coude égal mâle BSP à 90°	178
Coude égal mâle gaz cône à 90°	179
Coude mâle BSP x mâle gaz cône à 90°	180
Coude égal femelle BSP à 90°	181
Coude orientable mâle BSP à 90° + joint O-ring	182
Coude égal femelle BSP tournant à 90°	183
Coude mâle gaz cône x femelle BSP à 90°	184
Coude mâle BSP x femelle BSP tournant à 90°	185
Coude mâle gaz cône x femelle BSP tournant à 90°	186
Té égal mâle BSP	187
Té égal femelle BSP	188
Té égal femelle BSP tournant	189
Té égal mâle gaz cône latéral x femelle BSP	190

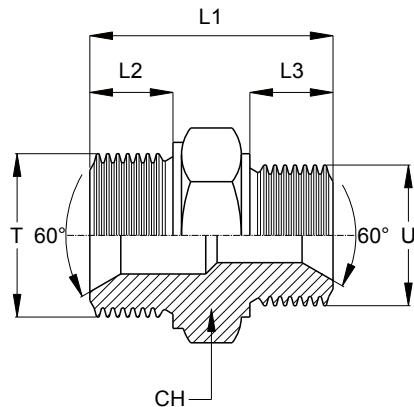
Sommaire

Té égal mâle BSP x femelle BSP tournant latérale	191
Té égal mâle BSP x femelle BSP tournant centrale	192
Croix égale mâle BSP	193
Croix égale femelle BSP	194
Bouchon mâle BSP	195
Bouchon femelle BSP	196
Bouchon femelle BSP écrou tournant	196

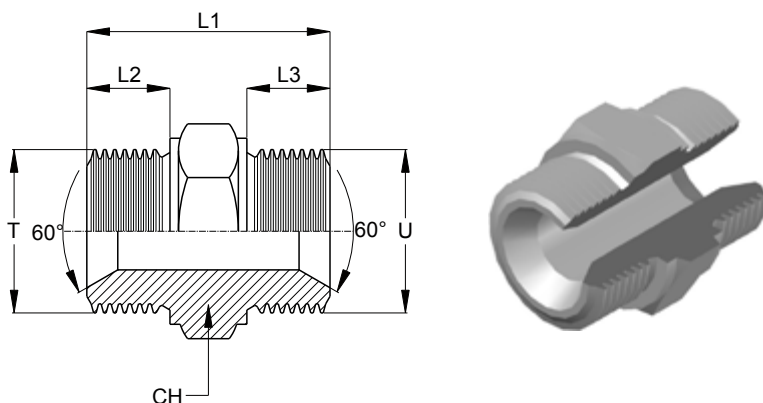


Pression de service (bar)	Code	Filetage T (BSP)	Filetage U (BSP)	L1	L2	L3	CH
400	66.091.40.690202	1/8"	1/8"	25,0	8,0	8,0	14
	66.091.40.690404	1/4"	1/4"	32,0	11,0	11,0	19
	66.091.40.690606	3/8"	3/8"	35,0	12,0	12,0	22
350	66.091.40.690808	1/2"	1/2"	39,0	14,0	14,0	27
	66.091.40.691010	5/8"	5/8"	43,0	16,0	16,0	30
315	66.091.40.691212	3/4"	3/4"	45,0	16,0	16,0	32
250	66.091.40.691616	1"	1"	53,0	19,0	19,0	41
220	66.091.40.692020	1"1/4	1"1/4	55,0	20,0	20,0	50
170	66.091.40.692424	1"1/2	1"1/2	56,5	20,0	20,0	55
125	66.091.40.693232	2"	2"	66,5	24,5	24,5	70
70	66.091.40.694040	2"1/2	2"1/2	69,5	26,0	26,0	80
70	66.091.40.694848	3"	3"	69,5	26,0	26,0	100

Union de réduction mâle BSP



Pression de service (bar)	Code	Filetage T (BSP)	Filetage U (BSP)	L1	L2	L3	CH
400	66.091.40.670402	1/4"	1/8"	29,0	11,0	8,0	19
	66.091.40.670602	3/8"	1/8"	31,0	12,0	8,0	22
	66.091.40.670604	3/8"	1/4"	34,0	12,0	11,0	22
350	66.091.40.670802	1/2"	1/8"	33,0	14,0	8,0	27
	66.091.40.670804	1/2"	1/4"	36,0	14,0	11,0	27
	66.091.40.670806	1/2"	3/8"	38,0	14,0	12,0	27
	66.091.40.671006	5/8"	3/8"	39,0	16,0	12,0	30
	66.091.40.671008	5/8"	1/2"	41,0	16,0	14,0	30
315	66.091.40.671202	3/4"	1/8"	37,0	16,0	8,0	32
	66.091.40.671204	3/4"	1/4"	40,0	16,0	11,0	32
	66.091.40.671206	3/4"	3/8"	41,0	16,0	12,0	32
	66.091.40.671208	3/4"	1/2"	43,0	16,0	14,0	32
	66.091.40.671210	3/4"	5/8"	45,0	16,0	16,0	32
250	66.091.40.671604	1"	1/4"	44,5	19,0	11,0	41
	66.091.40.671606	1"	3/8"	45,5	19,0	12,0	41
	66.091.40.671608	1"	1/2"	47,5	19,0	14,0	41
	66.091.40.671610	1"	5/8"	49,5	19,0	16,0	41
	66.091.40.671612	1"	3/4"	50,0	19,0	16,0	41
220	66.091.40.672008	1"1/4	1/2"	48,5	20,0	14,0	50
	66.091.40.672012	1"1/4	3/4"	51,0	20,0	16,0	50
	66.091.40.672016	1"1/4	1"	54,5	20,0	19,0	50
170	66.091.40.672408	1"1/2	1/2"	50,5	20,0	14,0	55
	66.091.40.672412	1"1/2	3/4"	52,5	20,0	16,0	55
	66.091.40.672416	1"1/2	1"	55,8	20,0	19,0	55
	66.091.40.672420	1"1/2	1"1/4	56,5	20,0	20,0	55
125	66.091.40.673212	2"	3/4"	58,3	24,5	16,0	70
	66.091.40.673216	2"	1"	61,5	24,5	19,0	70
	66.091.40.673220	2"	1"1/4	62,0	24,5	20,0	70
	66.091.40.673224	2"	1"1/2	62,5	24,5	20,0	70
70	66.091.40.674032	2"1/2	2"	68,0	26,0	24,5	80

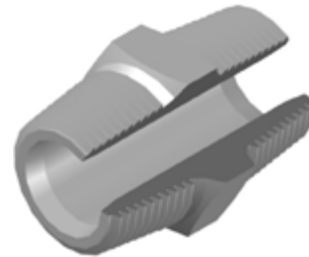
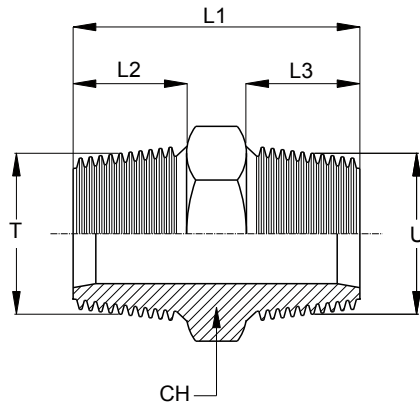


Pression de service (bar)	Code	Filetage T (métrique)	Filetage U (métrique)	L1	L2	L3	CH
400	66.091.40.191212	12x1,5	12x1,5	34,0	12,0	12,0	17
	66.091.40.191414	14x1,5	14x1,5	34,0	12,0	12,0	19
	66.091.40.191616	16x1,5	16x1,5	34,0	12,0	12,0	22
	66.091.40.191818	18x1,5	18x1,5	36,0	12,0	12,0	24
350	66.091.40.192020	20x1,5	20x1,5	40,5	14,0	14,0	27
	66.091.40.192222	22x1,5	22x1,5	41,0	14,0	14,0	27
315	66.091.40.192424	24x1,5	24x1,5	41,0	14,0	14,0	30
	66.091.40.192626	26x1,5	26x1,5	47,0	16,0	16,0	32
250	66.091.40.192828	28x1,5	28x1,5	47,0	16,0	16,0	36
	66.091.40.193030	30x1,5	30x1,5	48,0	16,0	16,0	36
200	66.091.40.193838	38x1,5	38x1,5	50,0	16,0	16,0	46
160	66.091.40.194545	45x1,5	45x1,5	52,0	16,0	16,0	55

Union de réduction

400	66.091.40.191214	12x1,5	14x1,5	34,0	12,0	12,0	19
	66.091.40.191416	14x1,5	16x1,5	34,0	12,0	12,0	22
	66.091.40.191418	14x1,5	18x1,5	36,0	12,0	12,0	24
	66.091.40.191618	16x1,5	18x1,5	36,0	12,0	12,0	24
350	66.091.40.191422	14x1,5	22x1,5	39,0	12,0	14,0	27
	66.091.40.191620	16x1,5	20x1,5	38,5	12,0	14,0	27
	66.091.40.191622	16x1,5	22x1,5	39,0	12,0	14,0	27
	66.091.40.191820	18x1,5	20x1,5	38,5	12,0	14,0	27
	66.091.40.192022	20x1,5	22x1,5	41,0	14,0	14,0	27
315	66.091.40.192226	22x1,5	26x1,5	44,5	14,0	16,0	32
250	66.091.40.192630	26x1,5	30x1,5	48,0	16,0	16,0	36
	66.091.40.193018	30x1,5	18x1,5	43,5	16,0	12,0	36
200	66.091.40.193038	30x1,5	38x1,5	50,0	16,0	16,0	46
160	66.091.40.193845	38x1,5	45x1,5	52,0	16,0	16,0	55

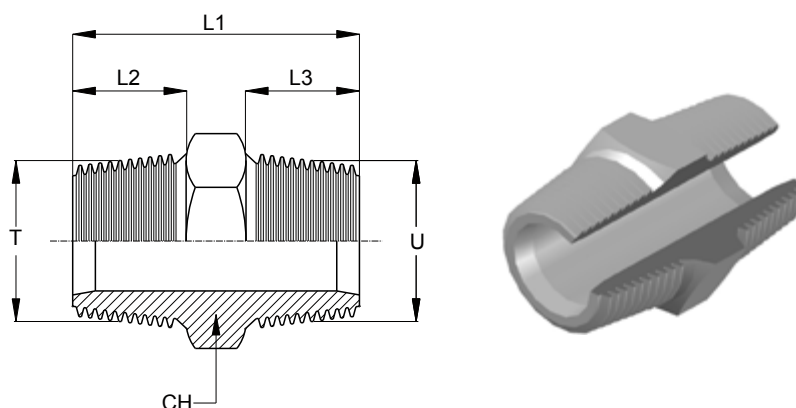
Union double mâle gaz cône et union de réduction



Pression de service (bar)	Code	Filetage T (Gaz)	Filetage U (Gaz)	L1	L2	L3	CH
350	66.051.010202	1/8"	1/8"	23,0	8,0	8,0	14
300	66.051.010404	1/4"	1/4"	32,0	13,0	13,0	14
280	66.051.010606	3/8"	3/8"	36,5	14,0	14,0	19
200	66.051.010808	1/2"	1/2"	43,5	17,0	17,0	22
	66.051.011212	3/4"	3/4"	45,0	17,5	17,5	27
120	66.051.011616	1"	1"	54,0	22,0	22,0	36
105	66.051.012020	1"1/4	1"1/4	59,0	24,0	24,0	46
	66.051.012424	1"1/2	1"1/2	59,5	24,0	24,0	50
70	66.051.013232	2"	2"	62,5	25,0	25,0	65

Union de réduction

300	66.051.010402	1/4"	1/8"	28,0	13,0	8,0	14
280	66.051.010604	3/8"	1/4"	34,5	14,0	13,0	19
200	66.051.010802	1/2"	1/8"	33,5	17,0	8,0	22
	66.051.010804	1/2"	1/4"	38,5	17,0	13,0	22
	66.051.010806	1/2"	3/8"	40,0	17,0	14,0	22
	66.051.010806	3/4"	3/8"	41,5	17,5	14,0	27
	66.051.011208	3/4"	1/2"	45,0	17,5	17,0	27
120	66.051.011608	1"	1/2"	50,0	22,0	17,0	36
	66.051.011612	1"	3/4"	49,0	22,0	17,5	36
105	66.051.012016	1"1/4	1"	57,0	24,0	22,0	46
	66.051.012420	1"1/2	1"1/4	59,5	24,0	24,0	50
70	66.051.013224	2"	1"1/2	64,5	25,0	24,0	65

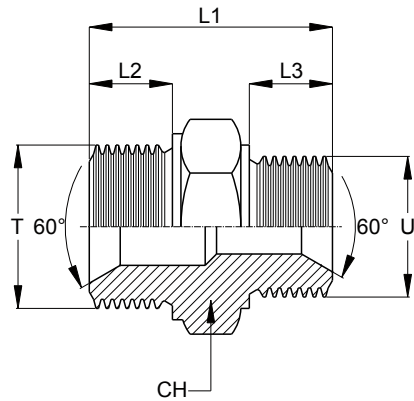


Pression de service (bar)	Code	Filetage T (NPT)	Filetage U (NPT)	L1	L2	L3	CH
350	66.071.010202	1/8"	1/8"	27,0	10,0	10,0	14
	66.071.010404	1/4"	1/4"	35,0	14,0	14,0	14
250	66.071.010606	3/8"	3/8"	36,5	14,0	14,0	19
225	66.071.010808	1/2"	1/2"	46,0	19,0	19,0	22
200	66.071.011212	3/4"	3/4"	48,0	19,0	19,0	27
160	66.071.011616	1"	1"	58,0	24,0	24,0	36
	66.071.012020	1"1/4	1"1/4	60,5	24,5	24,5	46
	66.071.012424	1"1/2	1"1/2	61,0	25,0	25,0	50
100	66.071.013232	2"	2"	65,0	26,0	26,0	65

Union de réduction

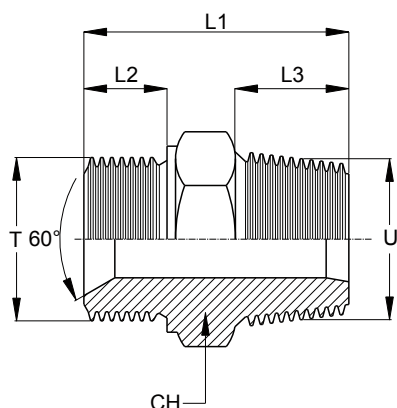
350	66.071.010402	1/4"	1/8"	31,0	14,0	10,0	14
250	66.071.010602	3/8"	1/8"	32,5	14,0	10,0	19
	66.071.010604	3/8"	1/4"	36,5	14,0	14,0	19
225	66.071.010802	1/2"	1/8"	38,5	19,0	10,0	22
	66.071.010804	1/2"	1/4"	42,5	19,0	14,0	22
	66.071.010806	1/2"	3/8"	41,0	19,0	14,0	22
200	66.071.011206	3/4"	3/8"	41,5	19,0	14,0	27
	66.071.011208	3/4"	1/2"	48,0	19,0	19,0	27
160	66.071.011608	1"	1/2"	49,0	19,0	19,0	36
	66.071.011612	1"	3/4"	49,0	19,0	19,0	36
	66.071.012016	1"1/4	1"	60,0	24,5	19,0	46
	66.071.012420	1"1/2	1"1/4	61,0	25,0	24,5	50
100	66.071.013224	2"	1"1/2	66,5	26,0	25,0	65

Adapteur mâle BSP x mâle métrique



Pression de service (bar)	Code	Filetage T (métrique)	Filetage U (BSP)	L1	L2	L3	CH
400	66.091.40.171204	12x1,5	1/4"	32,0	11,0	11,0	19
	66.091.40.171404	14x1,5	1/4"	33,0	12,0	11,0	19
	66.091.40.171606	16x1,5	3/8"	35,0	12,0	12,0	22
350	66.091.40.171608	16x1,5	1/2"	35,5	12,0	14,0	27
400	66.091.40.171806	18x1,5	3/8"	36,0	12,0	12,0	24
350	66.091.40.171808	18x1,5	1/2"	37,0	12,0	14,0	27
	66.091.40.172006	20x1,5	3/8"	38,5	14,0	12,0	27
	66.091.40.172008	20x1,5	1/2"	40,5	14,0	14,0	27
	66.091.40.172206	22x1,5	3/8"	39,0	14,0	12,0	27
	66.091.40.172208	22x1,5	1/2"	41,0	14,0	14,0	27
315	66.091.40.172408	24x1,5	1/2"	41,0	14,0	14,0	27
	66.091.40.172412	24x1,5	3/4"	43,5	14,0	16,0	32
	66.091.40.172612	26x1,5	3/4"	47,0	16,0	16,0	32
250	66.091.40.173012	30x1,5	3/4"	48,0	16,0	16,0	36
	66.091.40.173016	30x1,5	1"	50,0	16,0	19,0	41
200	66.091.40.173816	38x1,5	1"	53,0	16,0	19,0	46
	66.091.40.173820	38x1,5	1"1/4	54,0	16,0	20,0	50
160	66.091.40.174520	45x1,5	1"1/4	56,0	16,0	20,0	55
	66.091.40.174524	45x1,5	1"1/2	56,0	16,0	20,0	55
-	66.091.40.175224	52x1,5	1"1/2	-	-	20,0	-
-	66.091.40.176524	65x2,0	2"	-	-	24,5	-

RACCORDS ET ADAPTEURS INOX **BSP** - BSI 5200 - Iso 8434-6
Adaptateur mâle BSP x Mâle Gaz cône et union de réduction

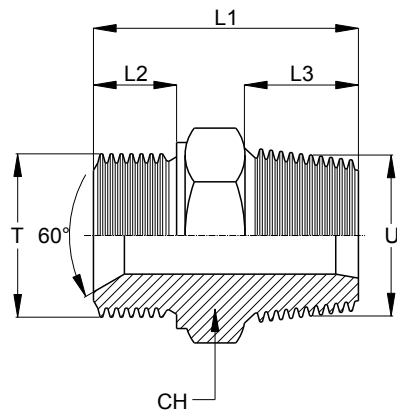


Pression de service (bar)	Code	Filetage T (BSP)	Filetage U (Gaz)	L1	L2	L3	CH
350	66.091.40.680202	1/8"	1/8"	24,5	8,0	8,0	14
300	66.091.40.680404	1/4"	1/4"	32,0	11,0	12,5	19
280	66.091.40.680606	3/8"	3/8"	35,5	12,0	13,9	22
200	66.091.40.680808	1/2"	1/2"	40,5	14,0	17,0	27
	66.091.40.681212	3/4"	3/4"	45,0	16,0	17,5	32
120	66.091.40.681616	1"	1"	54,5	19,0	22,0	41
105	66.091.40.682020	1"1/4	1"1/4	57,0	20,0	24,0	50
	66.091.40.682424	1"1/2	1"1/2	58,0	20,0	24,0	55
70	66.091.40.683232	2"	2"	65,0	24,5	25,0	70
*	66.091.40.684040	2"1/2	2"1/2	74,0	26,0	33,0	80

Adaptateur de réduction

300	66.091.40.660204	1/8"	1/4"	29,5	8,0	13,0	19
280	66.091.40.660206	1/8"	3/8"	32,0	8,0	13,9	19
300	66.091.40.660402	1/4"	1/8"	27,5	11,0	8,0	19
280	66.091.40.660406	1/4"	3/8"	35,0	11,0	14,0	19
200	66.091.40.660408	1/4"	1/2"	39,0	11,0	17,0	22
280	66.091.40.660604	3/8"	1/4"	34,0	12,0	12,5	22
200	66.091.40.660608	3/8"	1/2"	40,0	12,0	17,0	22
	66.091.40.660612	3/8"	3/4"	41,0	12,0	17,5	27
	66.091.40.660802	1/2"	1/8"	32,5	14,0	8,0	27
	66.091.40.660804	1/2"	1/4"	36,5	14,0	13,0	22
	66.091.40.660806	1/2"	3/8"	37,5	14,0	14,0	27
	66.091.40.660812	1/2"	3/4"	41,0	14,0	17,5	27
	66.091.40.661206	3/4"	3/8"	41,0	16,0	14,0	32
120	66.091.40.661208	3/4"	1/2"	44,5	16,0	17,0	32
	66.091.40.661216	3/4"	1"	51,0	16,0	22,0	36
105	66.091.40.661612	1"	3/4"	49,0	19,0	17,5	41
	66.091.40.661620	1"	1"1/4	56,0	19,0	24,0	46
	66.091.40.662016	1"1/4	1"	55,0	20,0	22,0	50
	66.091.40.662024	1"1/4	1"1/2	58,0	20,0	24,0	50
70	66.091.40.662420	1"1/2	1"1/4	58,5	20,0	24,0	55
	66.091.40.662432	1"1/2	2"	61,0	20,0	25,0	70
	66.091.40.663224	2"	1"1/2	64,0	24,5	24,0	70

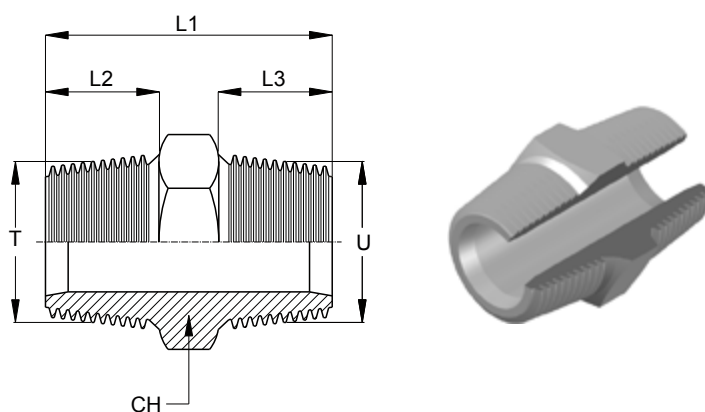
Adapteur mâle BSP x mâle NPT



Pression de service (bar)	Code	Filetage T (BSP)	Filetage U (NPT)	L1	L2	L3	CH
350	66.091.40700202	1/8"	1/8"	26,5	8,0	10,0	14
300	66.091.40700404	1/4"	1/4"	33,5	11,0	14,0	19
280	66.091.40700606	3/8"	3/8"	35,5	12,0	14,0	22
200	66.091.40700808	1/2"	1/2"	42,5	14,0	19,0	27
	66.091.40701212	3/4"	3/4"	46,0	16,0	19,0	32
120	66.091.40701616	1"	1"	56,0	19,0	24,0	41
105	66.091.40702020	1"1/4	1"1/4	57,5	20,0	24,5	50
	66.091.40702424	1"1/2	1"1/2	59,5	20,0	25,0	55
70	66.091.40703232	2"	2"	66,0	24,5	26,0	70

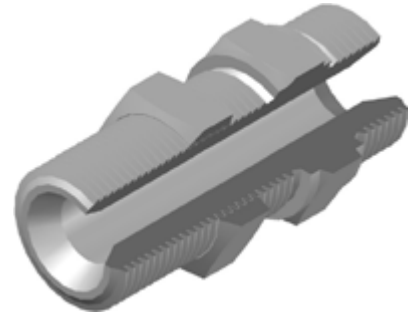
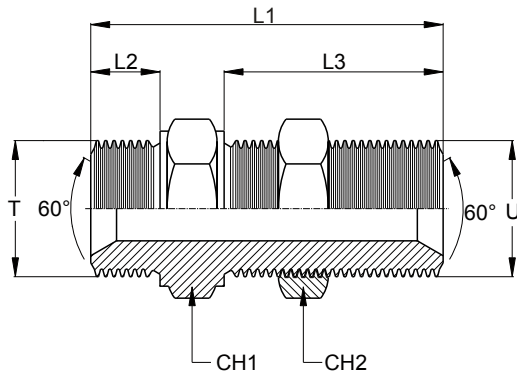
Adapteur de réduction

300	66.091.40700204	1/8"	1/4"	30,5	8,0	14,0	14
	66.091.40700402	1/4"	1/8"	29,5	11,0	10,0	19
280	66.091.40700406	1/4"	3/8"	34,5	11,0	14,0	19
200	66.091.40700408	1/4"	1/2"	41,0	11,0	19,0	22
300	66.091.40700604	3/8"	1/4"	35,5	12,0	14,0	22
200	66.091.40700608	3/8"	1/2"	42,0	12,0	19,0	22
	66.091.40700612	3/8"	3/4"	41,0	12,0	19,0	27
	66.091.40700804	1/2"	1/4"	37,5	14,0	14,0	27
	66.091.40700806	1/2"	3/8"	37,5	14,0	14,0	27
	66.091.40700812	1/2"	3/4"	43,0	14,0	19,0	27
	66.091.40701206	3/4"	3/8"	41,0	16,0	14,0	32
	66.091.40701208	3/4"	1/2"	46,0	16,0	19,0	32
120	66.091.40701216	3/4"	1"	52,0	16,0	24,0	36
105	66.091.40701224	3/4"	1"1/2	54,5	16,0	25,0	50
120	66.091.40701612	1"	3/4"	54,0	19,0	19,0	41
105	66.091.40701620	1"	1"1/4	57,0	19,0	24,5	46
	66.091.40702016	1"1/4	1"	56,0	20,0	19,0	50
	66.091.40702024	1"1/4	1"1/2	52,5	20,0	25,0	55
	66.091.40702420	1"1/2	1"1/4	59,5	20,0	24,5	55
70	66.091.40702432	1"1/2	2"	61,5	20,0	26,0	65
	66.091.40703224	2"	1"1/2	65,0	24,5	25,0	70

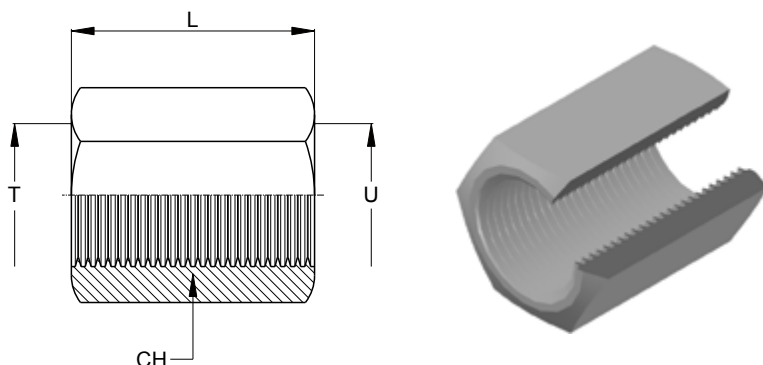
Adapteur mâle gaz cône x mâle NPT

Pression de service (bar)	Code	Filetage T (Gaz)	Filetage U (NPT)	L1	L2	L3	CH
350	66.091.41700202	1/8"	1/8"	25,0	8,0	10,0	14
300	66.091.41700404	1/4"	1/4"	34,0	13,0	14,0	14
250	66.091.41700606	3/8"	3/8"	36,0	14,0	14,0	19
200	66.091.41700808	1/2"	1/2"	46,5	17,0	19,0	22
	66.091.41701212	3/4"	3/4"	46,0	17,5	19,0	27
120	66.091.41701616	1"	1"	57,0	22,0	24,0	36
105	66.091.41702020	1"1/4	1"1/4	60,0	24,0	24,5	46
	66.091.41702424	1"1/2	1"1/2	60,0	24,0	25,0	50
70	66.091.41703232	2"	2"	66,5	25,0	26,0	65

Union double passe cloison mâle BSP + contre-écrou



Pression de service (bar)	Code	Filetage T (BSP)	Filetage U (BSP)	L1	L2	L3	CH1	CH2
400	66.091.40.510202	1/8"	1/8"	44,0	8,0	27,0	14	14
	66.091.40.510404	1/4"	1/4"	50,0	11,0	28,0	19	19
	66.091.40.510606	3/8"	3/8"	54,0	12,0	31,0	22	22
350	66.091.40.510808	1/2"	1/2"	61,5	14,0	35,0	27	27
	66.091.40.511010	5/8"	5/8"	66,0	16,0	38,0	30	30
315	66.091.40.511212	3/4"	3/4"	66,0	16,0	38,0	32	32
250	66.091.40.511616	1"	1"	72,0	19,0	41,0	41	41
220	66.091.40.512020	1"1/4	1"1/4	79,0	20,0	45,0	50	50
170	66.091.40.512424	1"1/2	1"1/2	86,7	20,0	52,5	55	55
125	66.091.40.513232	2"	2"	93,0	24,5	52,5	70	70

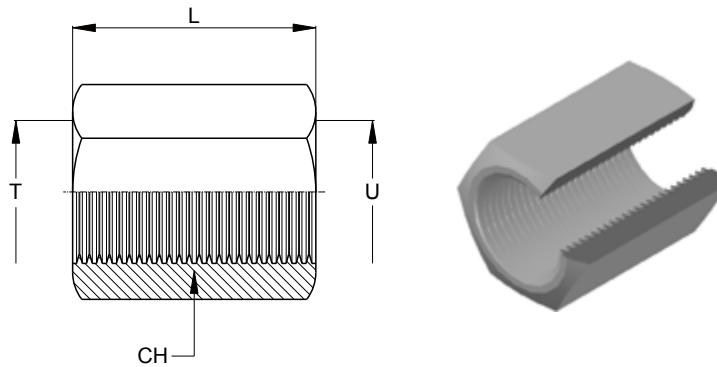


Pression de service (bar)	Code	Filetage T (BSP)	Filetage U (BSP)	L	CH
400	66.051.080202	1/8"	1/8"	25,0	17
	66.051.080404	1/4"	1/4"	26,0	19
	66.051.080606	3/8"	3/8"	31,0	22
350	66.051.080808	1/2"	1/2"	34,0	27
	66.051.081010	5/8"	5/8"	44,0	30
315	66.051.081212	3/4"	3/4"	34,5	32
250	66.051.081616	1"	1"	48,0	38
200	66.051.082020	1"1/4	1"1/4	47,0	50
160	66.051.082424	1"1/2	1"1/2	51,0	55
125	66.051.083232	2"	2"	58,0	70

Union de réduction

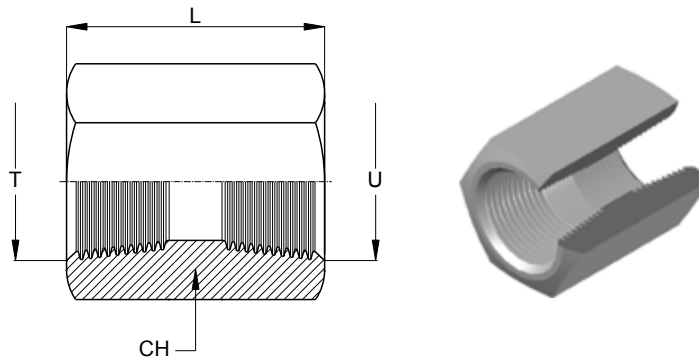
400	66.051.080402	1/4"	1/8"	26,0	19
	66.051.080602	3/8"	1/8"	30,0	22
	66.051.080604	3/8"	1/4"	31,0	22
350	66.051.080804	1/2"	1/4"	34,0	27
	66.051.080806	1/2"	3/8"	34,0	27
	66.051.081006	5/8"	3/8"	37,0	30
315	66.051.081206	3/4"	3/8"	35,0	32
	66.051.081208	3/4"	1/2"	35,0	32
250	66.051.081606	1"	3/8"	39,0	38
	66.051.081608	1"	1/2"	43,0	38
	66.051.081612	1"	3/4"	43,0	38
200	66.051.082016	1"1/4	1"	47,0	50
160	66.051.082420	1"1/2	1"1/4	50,0	55
125	66.051.083224	2"	1"1/2	57,0	70

Union double femelle métrique

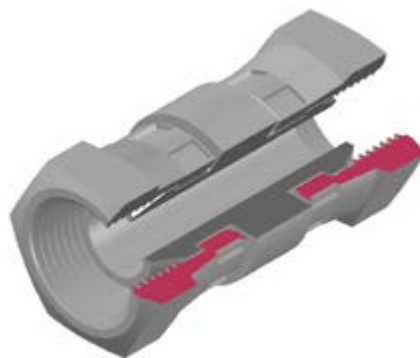
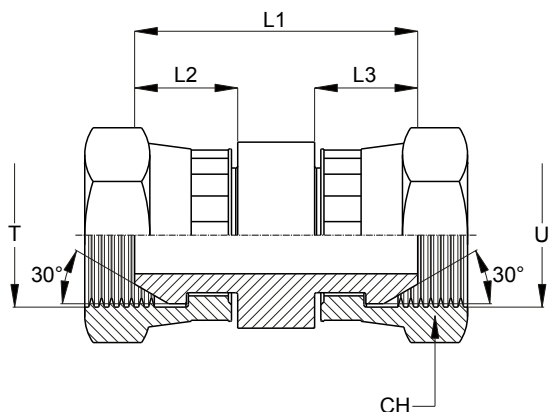


Pression de service (bar)	Code	Filetage T (métrique)	Filetage U (métrique)	L1	L2	CH
350	66.081.081010	10x1,0	10x1.0	20,0	7,0	14
	66.081.081414	14x1,5	14x1.5	30,0	12,0	19
250	66.081.081616	16x1,5	16x1.5	30,0	12,0	24
225	66.081.082222	22x1,5	22x1.5	38,0	15,0	27

Union double femelle NPT

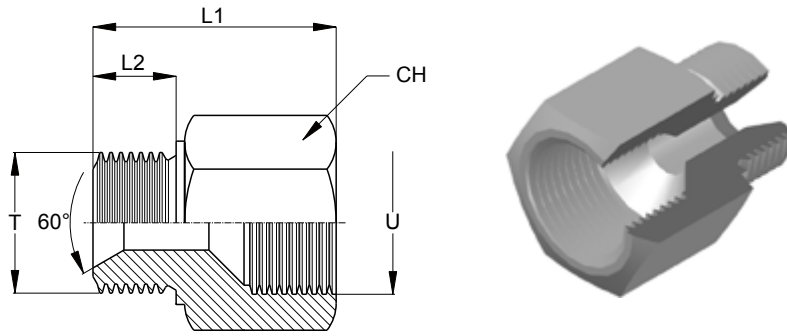


Pression de service (bar)	Code	Filetage T (NPT)	Filetage U (NPT)	L1	CH
350	66.051.090202	1/8"	1/8"	24,0	17
	66.051.090404	1/4"	1/4"	32,0	19
250	66.051.090606	3/8"	3/8"	32,0	22
225	66.051.090808	1/2"	1/2"	40,0	27
200	66.051.091212	3/4"	3/4"	46,0	32
160	66.051.091616	1"	1"	52,0	38
	66.051.092020	1"1/4	1"1/4	60,0	50
	66.051.092424	1"1/2	1"1/2	60,0	55

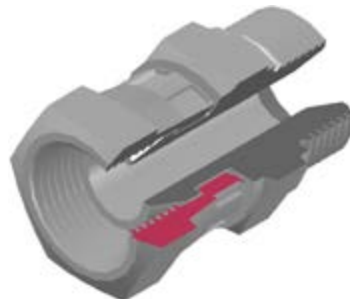
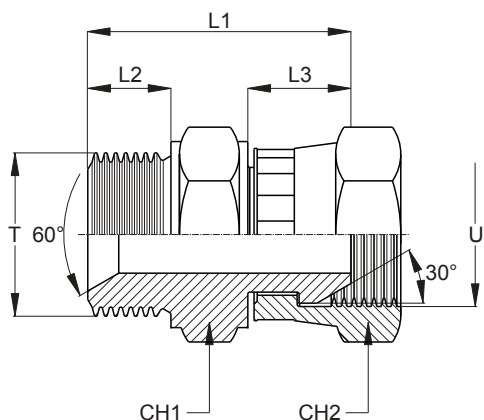


Pression de service (bar)	Code	Filetage T (BSP)	Filetage U (BSP)	L1	L2	L3	CH
400	66.091.40.110202	1/8"	1/8"	22,0	10,0	10,0	17
	66.091.40.110404	1/4"	1/4"	22,0	9,7	9,7	19
	66.091.40.110606	3/8"	3/8"	27,1	12,3	12,3	22
350	66.091.40.110808	1/2"	1/2"	32,5	14,5	14,5	27
315	66.091.40.111212	3/4"	3/4"	36,0	16,0	16,0	32
250	66.091.40.111616	1"	1"	37,6	16,8	16,8	38
160	66.091.40.112020	1"1/4	1"1/4	38,0	16,5	16,5	50
	66.091.40.112424	1"1/2	1"1/2	45,0	20,5	20,5	55

Union mâle BSP x femelle BSP



Pression de service (bar)	Code	Filetage T (BSP)	Filetage U (BSP)	L1	L2	CH
400	66.091.40730202	1/8"	1/8"	28,0	8,0	14
	66.091.40730204	1/8"	1/4"	29,0	8,0	19
	66.091.40730206	1/8"	3/8"	31,0	8,0	22
	66.091.40730402	1/4"	1/8"	31,0	11,0	19
	66.091.40730404	1/4"	1/4"	32,0	11,0	19
	66.091.40730406	1/4"	3/8"	32,0	11,0	22
350	66.091.40730408	1/4"	1/2"	36,0	11,0	27
250	66.091.40730416	1/4"	1"	43,5	11,0	38
400	66.091.40730604	3/8"	1/4"	35,0	12,0	22
	66.091.40730606	3/8"	3/8"	35,0	12,0	22
350	66.091.40730608	3/8"	1/2"	37,0	12,0	27
250	66.091.40730616	3/8"	1"	44,5	12,0	38
350	66.091.40730804	1/2"	1/4"	39,0	14,0	27
	66.091.40730806	1/2"	3/8"	38,0	14,0	27
	66.091.40730808	1/2"	1/2"	39,0	14,0	27
315	66.091.40730812	1/2"	3/4"	42,5	14,0	32
	66.091.40731206	3/4"	1/4"	37,5	16,0	32
	66.091.40731206	3/4"	3/8"	39,5	16,0	32
	66.091.40731208	3/4"	1/2"	41,0	16,0	32
	66.091.40731212	3/4"	3/4"	45,0	16,0	32
250	66.091.40731216	3/4"	1"	49,0	16,0	38
125	66.091.40731232	3/4"	2"	54,0	16,0	70
250	66.091.40731606	1"	3/8"	50,5	19,0	41
	66.091.40731608	1"	1/2"	52,5	19,0	41
	66.091.40731612	1"	3/4"	52,5	19,0	41
	66.091.40731616	1"	1"	53,0	19,0	41
200	66.091.40731620	1"	1"1/4	56,5	19,0	50
160	66.091.40731624	1"	1"1/2	54,0	19,0	55
200	66.091.40732012	1"1/4	3/4"	53,0	20,0	50
	66.091.40732016	1"1/4	1"	53,0	20,0	50
	66.091.40732020	1"1/4	1"1/4	57,0	20,0	50
160	66.091.40732412	1"1/2	3/4"	53,0	20,0	55
	66.091.40732416	1"1/2	1"	53,0	20,0	55
	66.091.40732420	1"1/2	1"1/4	55,5	20,0	55
	66.091.40732424	1"1/2	1"1/2	55,5	20,0	55
125	66.091.40732432	1"1/2	2"	58,0	20,0	70
	66.091.40733216	2"	1"	52,0	24,5	70
	66.091.40733220	2"	1"1/4	62,0	24,5	70
	66.091.40733224	2"	1"1/2	62,0	24,5	70
	66.091.40733232	2"	2"	66,5	24,5	70

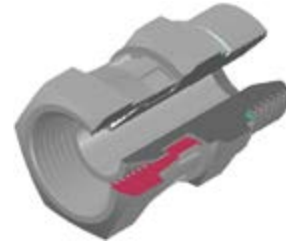
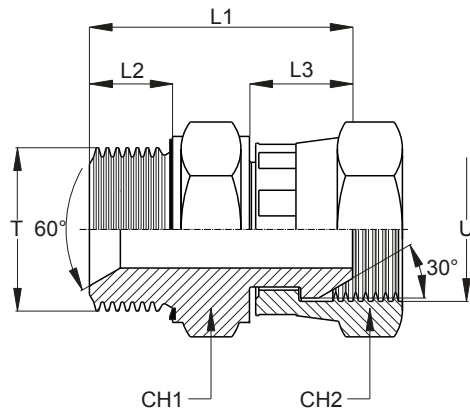


Pression de service (bar)	Code	Filetage T (BSP)	Filetage U (BSP)	L1	L2	L3	CH1	CH2
350	66.091.40.770202	1/8"	1/8"	27,7	8,0	9,7	14	17
	66.091.40.770404	1/4"	1/4"	32,5	11,0	9,7	19	19
250	66.091.40.770606	3/8"	3/8"	35,5	12,0	12,3	22	22
225	66.091.40.770808	1/2"	1/2"	40,0	14,0	14,5	27	27
200	66.091.40.771212	3/4"	3/4"	45,0	16,0	16,0	32	32
160	66.091.40.771616	1"	1"	52,0	19,0	16,8	41	38
	66.091.40.772020	1"1/4	1"1/4	53,0	20,0	16,5	50	50
	66.091.40.772424	1"1/2	1"1/2	58,0	20,0	20,5	55	55
125	66.091.40.773232	2"	2"	60,0	24,5	20,0	70	70

Adaptateur de réduction

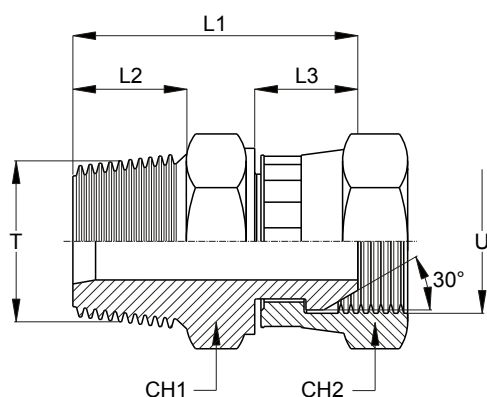
350	66.091.40.770204	1/8"	1/4"	30,0	8,0	10,0	14	19
	66.091.40.770406	1/4"	3/8"	35,0	11,0	12,5	19	22
250	66.091.40.770604	3/8"	1/4"	35,0	12,0	10,0	22	19
	66.091.40.770608	3/8"	1/2"	38,0	12,0	14,5	22	27
225	66.091.40.770812	1/2"	3/4"	42,0	14,0	16,0	27	32
	66.091.40.770816	1/2"	1"	46,5	14,0	17,0	27	38
200	66.091.40.771208	3/4"	1/2"	43,5	16,0	14,5	32	27
	66.091.40.771216	3/4"	1"	49,0	16,0	17,0	32	38
160	66.091.40.771620	1"	1"1/4	49,5	17,0	16,5	41	50
	66.091.40.771624	1"	1"1/2	55,0	17,0	20,5	46	55
160	66.091.40.772024	1"1/4	1"1/2	58,0	20,0	20,5	50	55

Union mâle BSP x femelle BSP tournant avec joint encastré

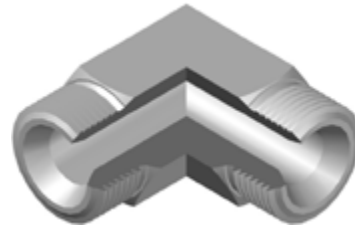
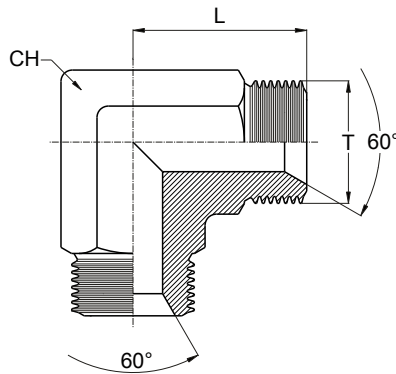


Pression de service (bar)	Code	Filetage T (BSP)	Filetage U (BSP)	L1	L2	L3	CH1	CH2
400	66.091.40.770202V	1/8"	1/8"	27,7	8,0	9,7	14	17
	66.091.40.770404V	1/4"	1/4"	32,5	11,0	9,7	19	19
	66.091.40.770606V	3/8"	3/8"	35,5	12,0	12,3	22	22
350	66.091.40.770808V	1/2"	1/2"	40,0	14,0	14,5	27	27
	66.091.40.771010V	5/8"	5/8"	-	16,0	-	30	30
315	66.091.40.771212V	3/4"	3/4"	45,0	16,0	16,0	32	32
250	66.091.40.771616V	1"	1"	52,0	19,0	16,8	41	38
160	66.091.40.772020V	1"1/4	1"1/4	53,0	20,0	16,5	50	50
	66.091.40.772424V	1"1/2	1"1/2	58,0	20,0	20,5	55	55
125	66.091.40.773232V	2"	2"	60,0	24,5	20,0	70	70

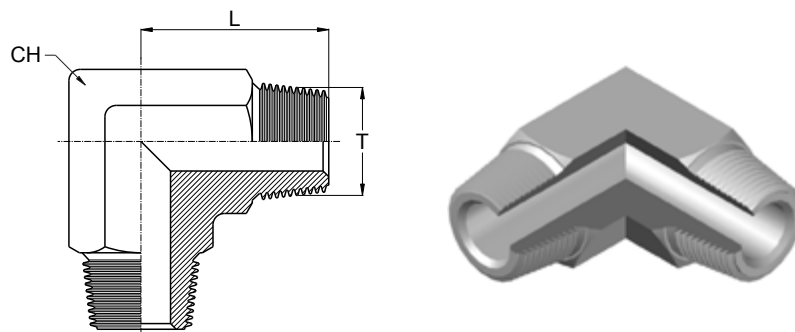
RACCORDS ET ADAPTEURS INOX **BSP** - BSI 5200 - Iso 8434-6
Adapteur mâle gaz cône x femelle BSP tournant



Pression de service (bar)	Code	Filetage T (Gaz)	Filetage U (BSP)	L1	L2	L3	CH1	CH2
350	66.091.40.790202	1/8"	1/8"	26,5	8,0	10,0	14	17
300	66.091.40.790404	1/4"	1/4"	33,5	13,0	10,0	14	19
280	66.091.40.790606	3/8"	3/8"	37,0	14,0	12,5	19	22
200	66.091.40.790808	1/2"	1/2"	44,0	17,0	14,5	22	27
	66.091.40.791212	3/4"	3/4"	44,5	17,5	16,0	27	32
120	66.091.40.791616	1"	1"	53,0	22,0	17,0	36	38
105	66.091.40.792020	1"1/4	1"1/4	54,5	24,0	16,5	46	50
	66.091.40.792424	1"1/2	1"1/2	60,0	24,0	20,5	50	55

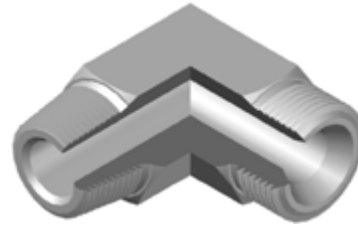
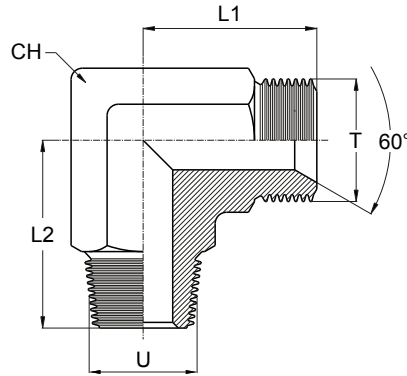
Coude égal mâle BSP à 90°

Pression de service (bar)	Code	Filetage T (BSP)	L	CH
400	66.091.260202	1/8"	21,0	12
	66.091.260404	1/4"	26,0	14
	66.091.260606	3/8"	29,0	19
350	66.091.260808	1/2"	34,0	22
	66.091.261010	5/8"	38,0	27
315	66.091.261212	3/4"	41,0	27
250	66.091.261616	1"	45,0	33
220	66.091.262020	1"1/4	52,0	41
170	66.091.262424	1"1/2	59,0	50
125	66.091.263232	2"	78,0	65

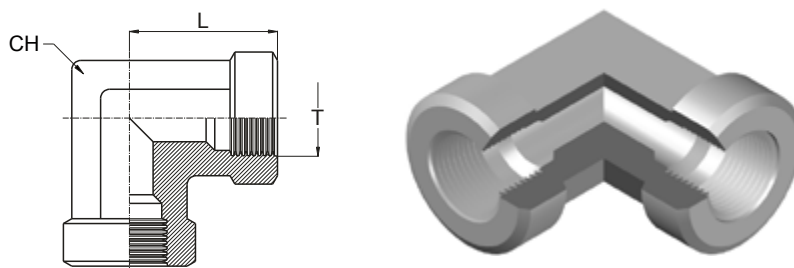
Coude égal mâle gaz cône à 90°

Pression de service (bar)	Code	Filetage T (Gaz)	L	CH
350	66.051.020202	1/8"	20,0	12
	66.051.020404	1/4"	28,0	14
250	66.051.020606	3/8"	31,0	19
225	66.051.020808	1/2"	37,5	22
200	66.051.021212	3/4"	40,0	27
160	66.051.021616	1"	50,0	33
	66.051.022020	1"1/4	60,0	41
	66.051.022424	1"1/2	67,0	50
100	66.051.023232	2"	76,0	65

RACCORDS ET ADAPTEURS INOX **BSP** - BSI 5200 - Iso 8434-6
Coude mâle BSP x mâle gaz cône à 90°

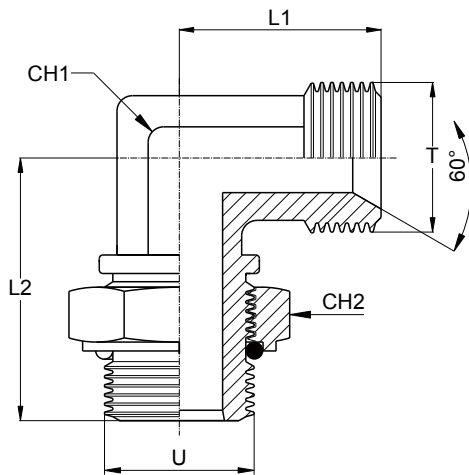


Pression de service (bar)	Code	Filetage T (BSP)	Filetage U (Gaz)	L1	L2	CH
350	66.091.080202	1/8"	1/8"	21,0	20,0	12
	66.091.080404	1/4"	1/4"	26,0	28,0	14
250	66.091.080606	3/8"	3/8"	29,0	31,0	19
225	66.091.080808	1/2"	1/2"	34,0	37,5	22
200	66.091.081010	5/8"	5/8"	38,0	40,0	27
	66.091.081212	3/4"	3/4"	41,0	40,0	27
160	66.091.081616	1"	1"	45,0	50,0	33
	66.091.082020	1"1/4	1"1/4	52,0	60,0	41
	66.091.082424	1"1/2	1"1/2	59,0	67,0	50
100	66.091.083232	2"	2"	78,0	76,0	65

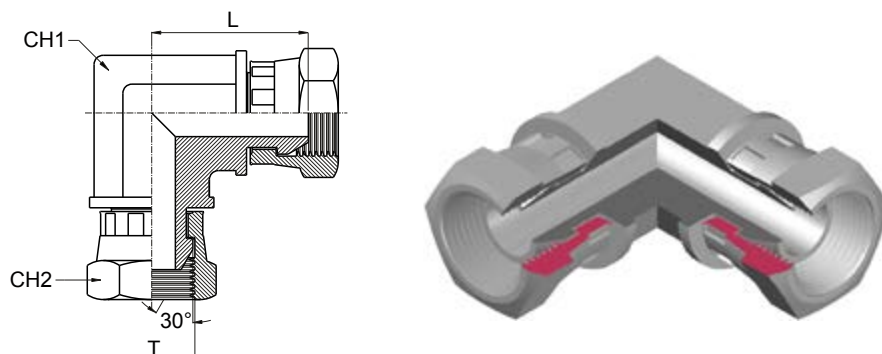


Pression de service (bar)	Code	Filetage T (BSP)	L	CH
350	66.051.050202	1/8"	17,0	14
	66.051.050404	1/4"	22,5	19
250	66.051.050606	3/8"	26,0	22
225	66.051.050808	1/2"	31,0	27
200	66.051.051212	3/4"	34,5	33
160	66.051.051616	1"	41,0	41
	66.051.052020	1"1/4	43,0	50
	66.051.052424	1"1/2	53,0	65
100	66.051.053232	2"	61,0	70

RACCORDS ET ADAPTEURS INOX **BSP** - BSI 5200 - Iso 8434-6
Coude orientable mâle BSP à 90° + joint O-ring



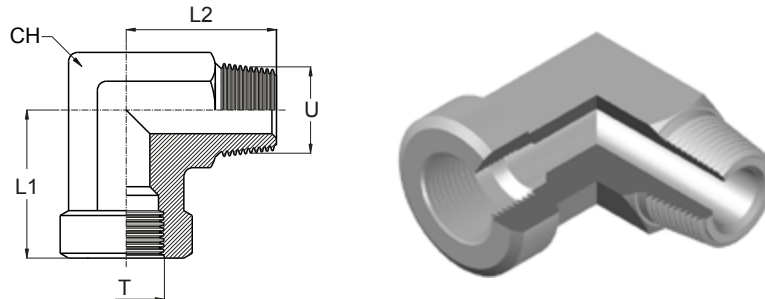
Pression de service (bar)	Code	Filetage T (BSP)	Filetage U (BSP)	L1	L2	CH1	CH2
350	66.091.240202	1/8"	1/8"	21,0	26,0	12	14
315	66.091.240404	1/4"	1/4"	26,0	32,0	14	19
250	66.091.240606	3/8"	3/8"	29,0	37,0	19	22
	66.091.240808	1/2"	1/2"	34,0	43,0	24	27
	66.091.241212	3/4"	3/4"	41,0	49,0	27	36
200	66.091.241616	1"	1"	45,0	52,0	33	41
	66.091.242020	1"1/4	1"1/4	52,0	58,0	41	50
160	66.091.242424	1"1/2	1"1/2	59,0	60,0	48	55



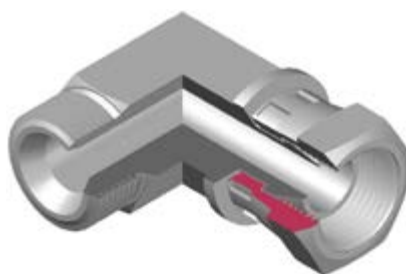
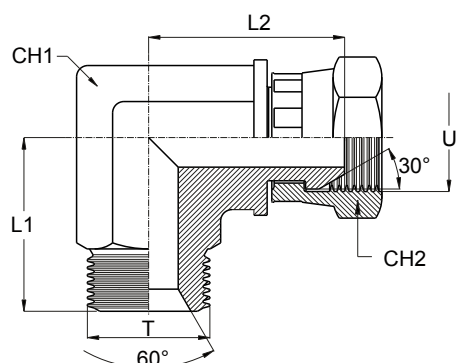
Pression de service (bar)	Code	Filetage T (BSP)	L	CH1	CH2
400	66.091.44.100202	1/8"	18,0	12	17
	66.091.44.100404	1/4"	23,5	14	19
	66.091.44.100606	3/8"	25,5	19	22
350	66.091.44.100808	1/2"	29,5	22	27
	66.091.44.101010	5/8"	-	27	30
315	66.091.44.101212	3/4"	37,0	27	32
250	66.091.44.101616	1"	43,0	33	38
160	66.091.44.102020	1"1/4	51,0	41	50
	66.091.44.102424	1"1/2	59,0	50	55
125	66.091.44.103232	2"	-	65	70

RACCORDS ET ADAPTEURS INOX **BSP** - BSI 5200 - Iso 8434-6

Coude mâle gaz cône x femelle BSP à 90°

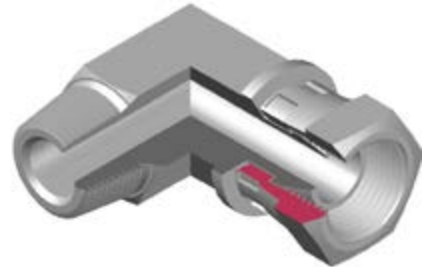
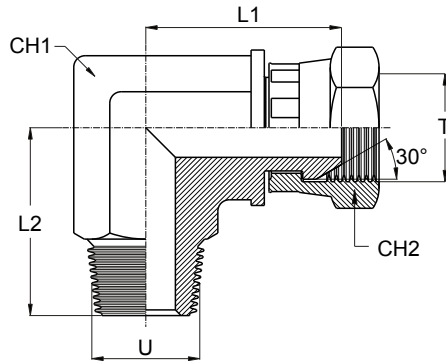


Pression de service (bar)	Code	Filetage T (BSP)	Filetage U (Gaz)	L1	L2	CH
350	66.051.040202	1/8"	1/8"	17,0	20,0	14
	66.051.040404	1/4"	1/4"	22,5	28,0	19
250	66.051.040606	3/8"	3/8"	26,0	31,0	22
225	66.051.040808	1/2"	1/2"	31,0	37,5	27
200	66.051.041212	3/4"	3/4"	34,5	40,0	33
160	66.051.041616	1"	1"	41,0	50,0	41
	66.051.042020	1"1/4	1"1/4	43,0	60,0	50
	66.051.042424	1"1/2	1"1/2	53,0	67,0	65
100	66.051.043232	2"	2"	61,0	76,0	70

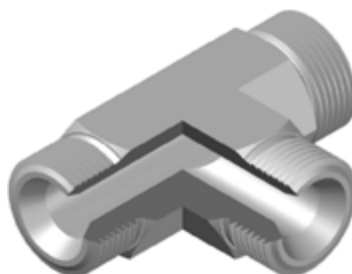
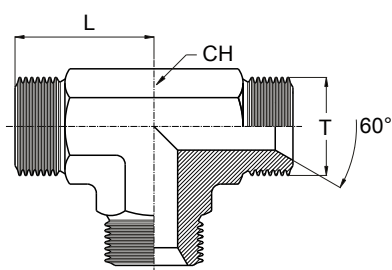
Coude mâle BSP x femelle BSP tournant à 90°

Pression de service (bar)	Code	Filetage T (BSP)	Filetage U (BSP)	L1	L2	CH1	CH2
400	66.091.44.090202	1/8"	1/8"	21,0	18,0	12	17
	66.091.44.090404	1/4"	1/4"	26,0	23,5	14	19
	66.091.44.090606	3/8"	3/8"	29,0	25,5	19	22
350	66.091.44.090808	1/2"	1/2"	34,0	29,5	22	27
	66.091.44.091010	5/8"	5/8"	38,0	-	27	30
315	66.091.44.091212	3/4"	3/4"	41,0	37,0	27	32
250	66.091.44.091616	1"	1"	45,0	43,0	33	38
160	66.091.44.092020	1"1/4	1"1/4	57,0	51,0	41	50
	66.091.44.092424	1"1/2	1"1/2	59,0	59,0	50	55
125	66.091.44.093232	2"	2"	78,0	-	65	70

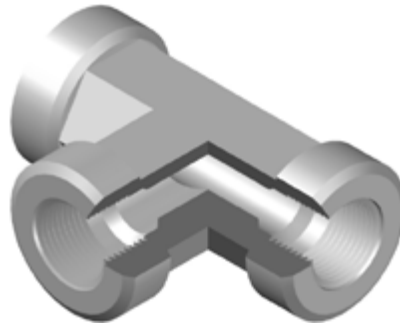
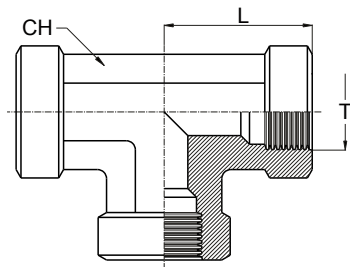
RACCORDS ET ADAPTEURS INOX **BSP** - BSI 5200 - Iso 8434-6
Coude mâle gaz cône x femelle BSP tournant à 90°



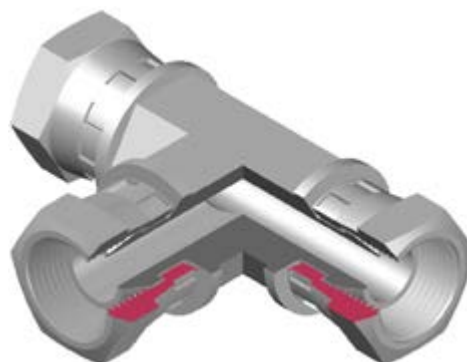
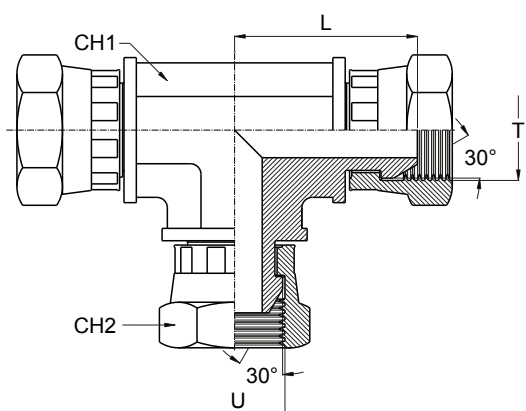
Pression de service (bar)	Code	Filetage T (BSP)	Filetage U (Gaz)	L1	L2	CH1	CH2
350	66.051.100202	1/8"	1/8"	18,0	20,0	12	17
	66.051.100404	1/4"	1/4"	23,5	28,0	14	19
250	66.051.100606	3/8"	3/8"	25,5	31,0	19	22
225	66.051.100808	1/2"	1/2"	29,5	37,5	22	27
200	66.051.101010	5/8"	5/8"	-	37,5	27	30
	66.051.101212	3/4"	3/4"	37,0	40,0	27	32
160	66.051.101616	1"	1"	43,0	50,0	33	38
	66.051.102020	1"1/4	1"1/4	51,0	60,0	41	50
	66.051.102424	1"1/2	1"1/2	59,0	67,0	50	55
100	66.051.103232	2"	2"	-	76,0	65	70



Pression de service (bar)	Code	Filetage T (BSP)	L	CH
400	66.091.12020202	1/8"	21,0	12
	66.091.12040404	1/4"	26,0	14
	66.091.12060606	3/8"	29,0	19
350	66.091.12080808	1/2"	34,0	22
	66.091.12101010	5/8"	38,0	27
315	66.091.12121212	3/4"	41,0	27
250	66.091.12161616	1"	45,0	33
220	66.091.12202020	1"1/4	52,0	41
170	66.091.12242424	1"1/2	59,0	50
125	66.091.12323232	2"	78,0	65

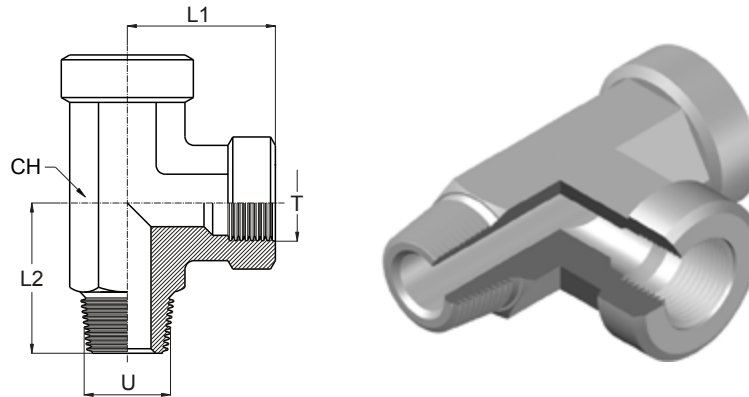
Té égal femelle BSP

Pression de service (bar)	Code	Filetage T (BSP)	L	CH
350	66.051.06020202	1/8"	17,0	14
	66.051.06040404	1/4"	22,5	19
250	66.051.06060606	3/8"	26,0	22
225	66.051.06080808	1/2"	31,0	27
200	66.051.06121212	3/4"	34,5	33
160	66.051.06161616	1"	41,0	41
	66.051.06202020	1"1/4	43,0	50
	66.051.06242424	1"1/2	53,0	65
100	66.051.06323232	2"	61,0	70

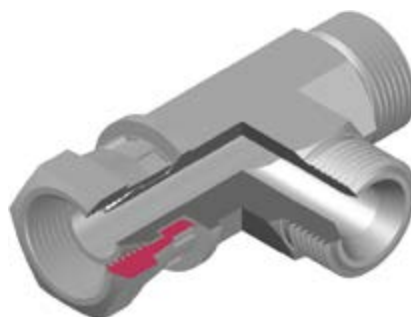
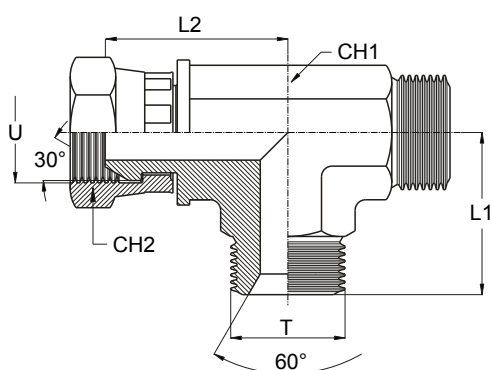


Pression de service (bar)	Code	Filetage T (BSP)	Filetage U (BSP)	L1	CH1	CH2
400	66.091.44.600202	1/8"	1/8"	18,0	12	17
	66.091.44.600404	1/4"	1/4"	23,5	14	19
	66.091.44.600606	3/8"	3/8"	25,5	19	22
350	66.091.44.600808	1/2"	1/2"	29,5	22	27
315	66.091.44.601212	3/4"	3/4"	37,0	27	32
250	66.091.44.601616	1"	1"	43,0	33	38
160	66.091.44.602020	1"1/4	1"1/4	51,0	41	50
	66.091.44.602424	1"1/2	1"1/2	59,0	50	55
125	66.091.44.603232	2"	2"	-	65	70

RACCORDS ET ADAPTEURS INOX **BSP** - BSI 5200 - Iso 8434-6
Té égal mâle gaz cône latéral x femelle BSP

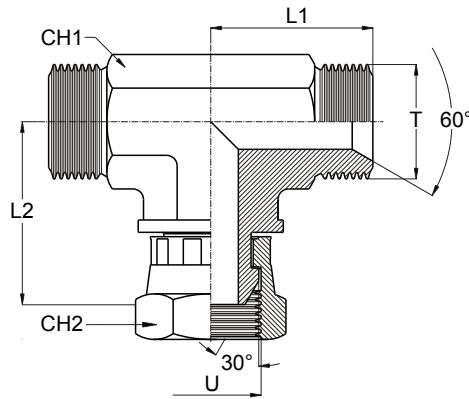


Pression de service (bar)	Code	Filetage T (BSP)	Filetage U (Gaz)	L1	L2	CH1
350	66.051.12020202	1/8"	1/8"	17,0	20,0	14
	66.051.12040404	1/4"	1/4"	22,5	28,0	19
250	66.051.12060606	3/8"	3/8"	26,0	31,0	22
225	66.051.12080808	1/2"	1/2"	31,0	37,5	27
200	66.051.12121212	3/4"	3/4"	34,5	40,0	33
160	66.051.12161616	1"	1"	41,0	50,0	41
	66.051.12202020	1"1/4	1"1/4	43,0	60,0	50
	66.051.12242424	1"1/2	1"1/2	53,0	67,0	65
100	66.051.12323232	2"	2"	61,0	76,0	70

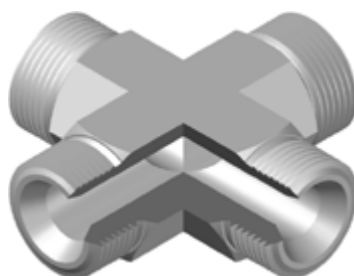
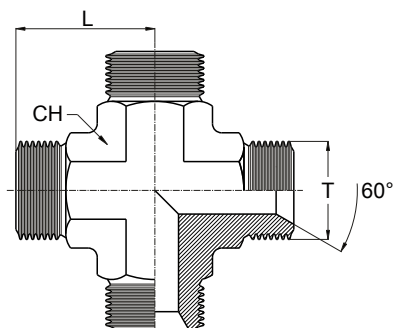


Pression de service (bar)	Code	Filetage T (BSP)	Filetage U (BSP)	L1	L2	CH1	CH2
400	66.091.44.590202	1/8"	1/8"	21,0	18,0	12	17
	66.091.44.590404	1/4"	1/4"	26,0	23,5	14	19
	66.091.44.590606	3/8"	3/8"	29,0	25,5	19	22
350	66.091.44.590808	1/2"	1/2"	34,0	29,5	22	27
315	66.091.44.591212	3/4"	3/4"	41,0	37,0	27	32
250	66.091.44.591616	1"	1"	45,0	43,0	33	38
160	66.091.44.592020	1"1/4	1"1/4	57,0	51,0	41	50
	66.091.44.592424	1"1/2	1"1/2	59,0	59,0	50	55
125	66.091.44.593232	2"	2"	78,0	-	65	70

RACCORDS ET ADAPTEURS INOX **BSP** - BSI 5200 - Iso 8434-6
Té égal mâle BSP x femelle BSP tournant centrale

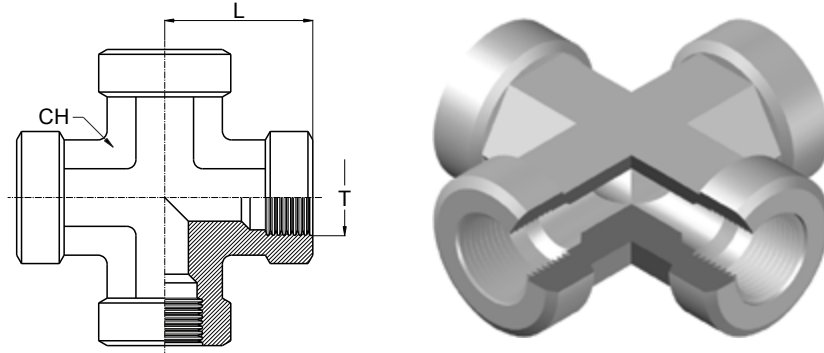


Pression de service (bar)	Code	Filetage T (BSP)	Filetage U (BSP)	L1	L2	CH1	CH2
400	66.091.44.550202	1/8"	1/8"	21,0	18,0	12	17
	66.091.44.550404	1/4"	1/4"	26,0	23,5	14	19
	66.091.44.550606	3/8"	3/8"	29,0	25,5	19	22
350	66.091.44.550808	1/2"	1/2"	34,0	29,5	22	27
	66.091.44.551010	5/8"	5/8"	38,0	-	27	30
315	66.091.44.551212	3/4"	3/4"	41,0	37,0	27	32
250	66.091.44.551616	1"	1"	45,0	43,0	33	38
160	66.091.44.552020	1"1/4	1"1/4	57,0	51,0	41	50
	66.091.44.552424	1"1/2	1"1/2	59,0	59,0	50	55
125	66.091.44.553232	2"	2"	78,0	-	65	70

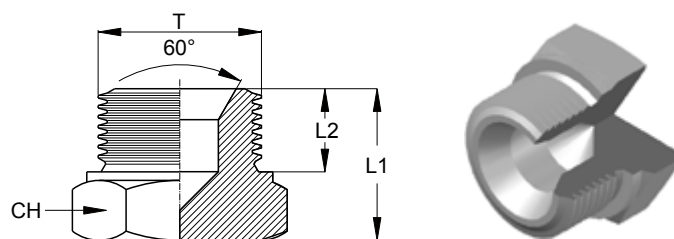


Pression de service (bar)	Code	Filetage T (BSP)	L	CH
400	66.051.30020202	1/8"	21,0	12
	66.051.30040404	1/4"	26,0	14
	66.051.30060606	3/8"	29,0	19
350	66.051.30080808	1/2"	34,0	22
	66.051.30101010	5/8"	38,0	27
315	66.051.30121212	3/4"	41,0	27
250	66.051.30161616	1"	45,0	33
200	66.051.30202020	1"1/4	52,0	41
160	66.051.30242424	1"1/2	59,0	50
125	66.051.30323232	2"	78,0	65

Croix égale femelle BSP

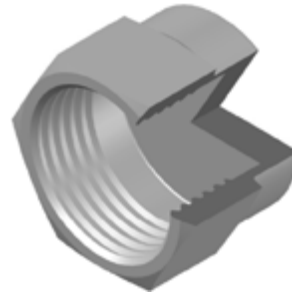
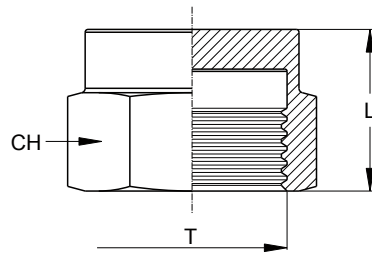


Pression de service (bar)	Code	Filetage T (BSP)	L	CH
350	66.051.13020202	1/8"	17,0	14
	66.051.13040404	1/4"	22,5	19
250	66.051.13060606	3/8"	26,0	22
225	66.051.13080808	1/2"	31,0	27
200	66.051.13121212	3/4"	34,5	33
160	66.051.13161616	1"	41,0	41
	66.051.13202020	1"1/4	43,0	50
	66.051.13242424	1"1/2	53,0	65
100	66.051.13323232	2"	61,0	70



Pression de service (bar)	Code	Filetage T (BSP)	L1	L2	CH
400	66.091.40.750202	1/8"	16,5	8,0	14
	66.091.40.750404	1/4"	19,5	11,0	19
	66.091.40.750606	3/8"	21,0	12,0	22
350	66.091.40.750808	1/2"	24,0	14,0	27
	66.091.40.751010	5/8"	27,0	16,0	30
315	66.091.40.751212	3/4"	27,0	16,0	32
250	66.091.40.751616	1"	32,0	19,0	41
200	66.091.40.752020	1"1/4	34,0	20,0	50
160	66.091.40.752424	1"1/2	37,0	20,0	55
125	66.091.40.753232	2"	41,0	24,5	70

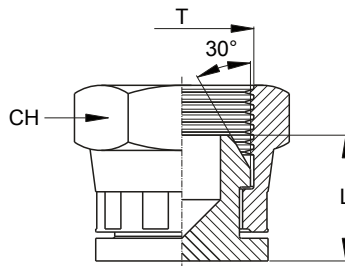
Bouchon femelle BSP



Pression de service (bar)	Code	Filetage T (BSP)	L	CH
400	66.091.40.830404	1/4"	17,5	19
	66.091.40.830606	3/8"	20,0	22
350	66.091.40.830808	1/2"	23,0	27
	66.091.40.831010	5/8"	24,0	30
315	66.091.40.831212	3/4"	26,5	32
250	66.091.40.831616	1"	28,5	38
200	66.091.40.832020	1"1/4	33,0	50
160	66.091.40.832424	1"1/2	33,0	55
125	66.091.40.833232	2"	42,0	70

Bouchon femelle BSP écrou tournant

196



Pression de service (bar)	Code	Filetage T (BSP)	L	CH
400	66.091.40.840404	1/4"	13,5	19
	66.091.40.840606	3/8"	15,5	22
350	66.091.40.840808	1/2"	17,5	27
	66.091.40.841010	5/8"	17,5	30
315	66.091.40.841212	3/4"	20,0	32
250	66.091.40.841616	1"	21,8	38
160	66.091.40.842020	1"1/4	21,0	50
	66.091.40.842424	1"1/2	25,5	55