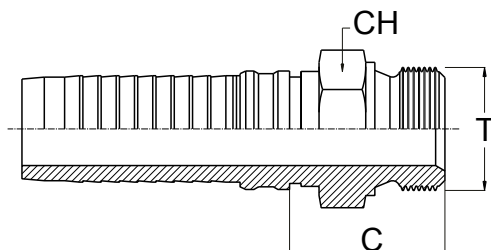


EMBOUTS A SERTIR INOX POUR TUYAUX

INTERLOCK

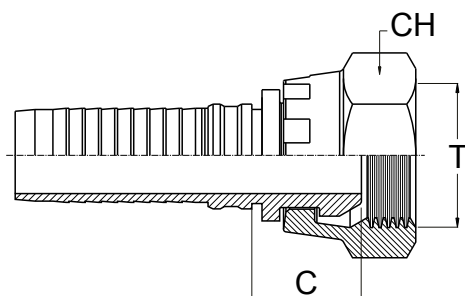


Bride SAE	58
BSP (cône 60°)	50
JIC (cône 74°)	52
Jupe	61
DIN série L (cône 24°)	54
DIN série S (cône 24°)	56
NPT	54



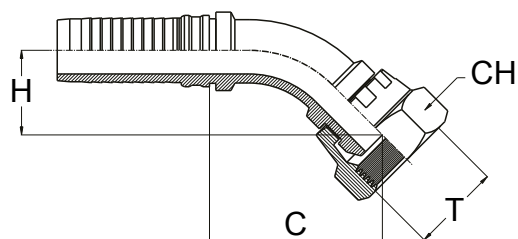
Pression de service (bar)	Code	Filetage T	Ø intérieur tuyau	C	CH
420	62.061.1212.034	3/4"	3/4"	34	32
414	62.061.1616.034	1"	1"	39	38
	62.061.2020.034	1"1/4	1"1/4	44	50
345	62.061.2424.034	1"1/2	1"1/2	44	55
	62.061.3232.034	2"	2"	49	70

50



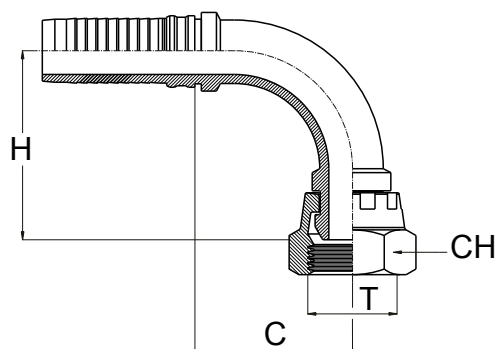
Pression de service (bar)	Code	Filetage T	Ø intérieur tuyau	C	CH
420	62.061.1212.035	3/4"	3/4"	34	32
414	62.061.1616.035	1"	1"	39	38
	62.061.2020.035	1"1/4	1"1/4	44	50
345	62.061.2424.035	1"1/2	1"1/2	44	55
	62.061.3232.035	2"	2"	49	70

EMBOUS INTERLOCK INOX POUR TUYAUX
Embout à sertir interlock BSP (cône 60°) coudé à 45 et 90°



Version coudé à 45°

Pression de service (bar)	Code	Filetage T	Ø intérieur tuyau	C	H	CH
420	62.061.1212.037	3/4"	3/4"	88	35,5	32
414	62.061.1616.037	1"	1"	110	40,5	38
	62.061.2020.037	1"1/4	1"1/4	136,5	45	50
345	62.061.2424.037	1"1/2	1"1/2	168,5	54,5	55
	62.061.3232.037	2"	2"	186	50	70

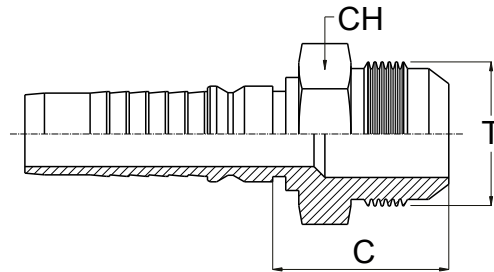


Version coudé à 90°

Pression de service (bar)	Code	Filetage T	Ø intérieur tuyau	C	H	CH
420	62.061.1212.036	3/4"	3/4"	48	59,5	32
414	62.061.1616.036	1"	1"	65,5	77,5	38
	62.061.2020.036	1"1/4	1"1/4	83	88	50
345	62.061.2424.036	1"1/2	1"1/2	112	104	55
	62.061.3232.036	2"	2"	125	121	70

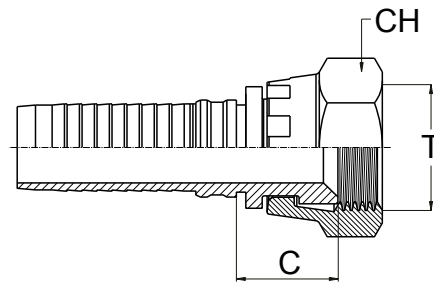
EMBOUTS INTERLOCK INOX POUR TUYAUX

Embout à sertir interlock JIC (cône 74°) Mâle et femelle



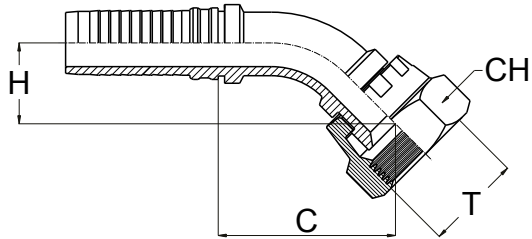
Pression de service (bar)	Code	Filetage T	Ø intérieur tuyau	C	CH
420	62.061.1212.038	1"1/16	3/4"	37	27
	62.061.1216.038	1"5/16	3/4"	40,5	36
414	62.061.1616.038	1"5/16	1"	41,5	36
	62.061.2020.038	1"5/8	1"1/4	44	46
345	62.061.2424.038	1"7/8	1"1/2	49	50
	62.061.3232.038	2"1/2	2"	-	65

52

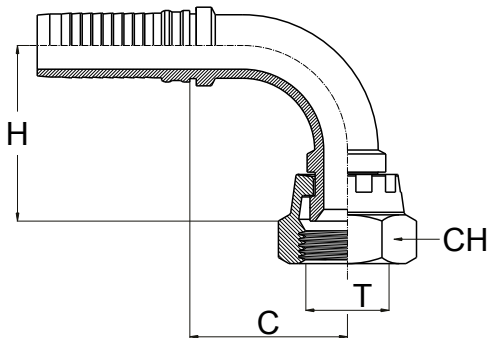


Pression de service (bar)	Code	Filetage T	Ø intérieur tuyau	C	CH
420	62.061.1212.039	1"1/16	3/4"	22,7	32
	62.061.1216.039	1"5/16	3/4"	22,7	38
414	62.061.1616.039	1"5/16	1"	23	38
	62.061.2020.039	1"5/8	1"1/4	25,5	50
345	62.061.2424.039	1"7/8	1"1/2	25,5	55
	62.061.3232.039	2"1/2	2"	30	70

EMBOUS INTERLOCK INOX POUR TUYAUX
Embout à sertir interlock JIC (cône 74°) coudé à 45 et 90°

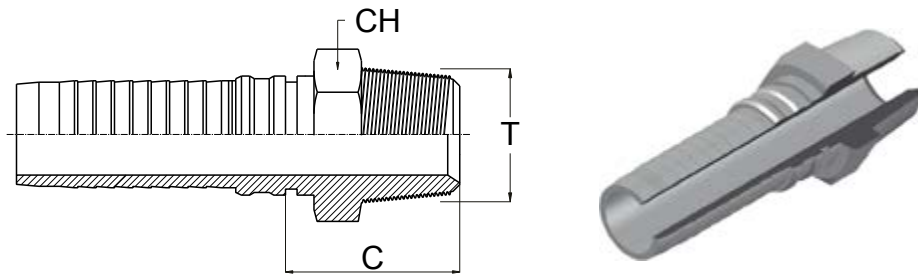


Pression de service (bar)	Code	Filetage T	Ø intérieur tuyau	C	H	CH
420	62.061.1212.041	1"1/16	3/4"	88	35,8	32
	62.061.1216.041	1"5/16	3/4"	83,5	26	38
414	62.061.1616.041	1"5/16	1"	114,5	43	38
	62.061.2020.041	1"5/8	1"1/4	134,5	45,5	50
345	62.061.2424.041	1"7/8	1"1/2	180	60,5	55



Pression de service (bar)	Code	Filetage T	Ø intérieur tuyau	C	H	CH
420	62.061.1212.040	1"1/16	3/4"	88	35,8	32
	62.061.1216.040	1"5/16	3/4"	83,5	26	38
414	62.061.1616.040	1"5/16	1"	114,5	43	38
	62.061.2020.040	1"5/8	1"1/4	134,5	45,5	50
345	62.061.2424.040	1"7/8	1"1/2	180	60,5	55

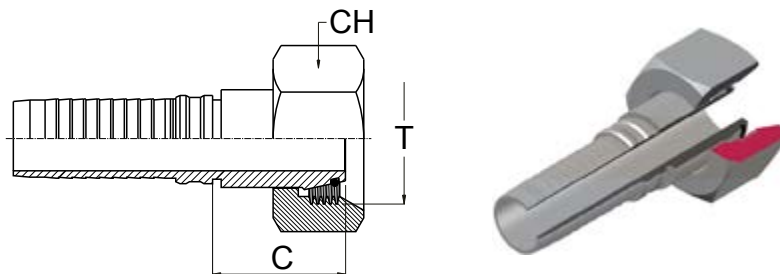
EMBOUTS INTERLOCK INOX POUR TUYAUX

Embout à sertir interlock mâle NPT (cône 60°) / Femelle DIN série L (cône 24°)**Mâle NPT**

Pression de service (bar)	Code	Filetage T	Ø intérieur tuyau	C	CH
420	62.061.1212.030	3"4	3/4"	34,5	27
	62.061.1616.030	1"	1"	42,5	36
	62.061.2020.030	1"1/4	1"1/4	45,5	46
	62.061.2424.030	1"1/2	1"1/2	47	50
345	62.061.3232.030	2"	2"	50,5	65

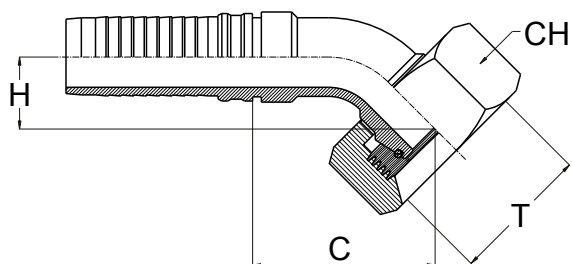
Femelle DIN série L (cône 24°)

54

**Femelle DIN Série L + O-Ring**

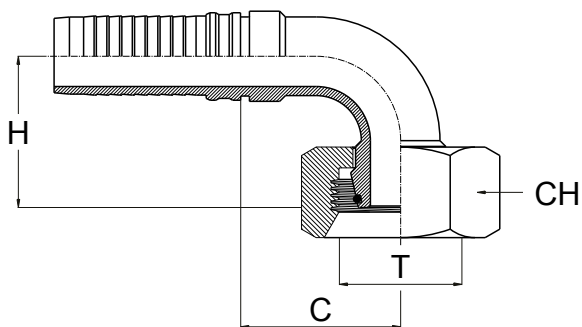
Pression de service (bar)	Code	Filetage T	Ø intérieur tuyau	DIN 24°	C	CH
280	62.061.1222.020	30x2	3/4"	22L	32,5	36
185	62.061.1628.020	36x2	1"	28L	33	41
165	62.061.2035.020	45x2	1"1/4	35L	33	50
130	62.061.2442.020	52x2	1"1/2	42L	33	60

Embout à sertir interlock femelle DIN série L (Cône 24°) coudé 45 et 90°



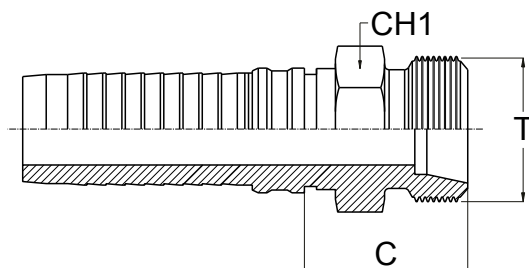
Femelle DIN série L + O-Ring coudé à 45°

Pression de service (bar)	Code	Filetage T	Ø intérieur tuyau	DIN 24°	C	H	CH
280	62.061.1220.022	30x2	3/4"	22L	85	-	36
185	62.061.1628.022	36x2	1"	28L	87	-	41
165	62.061.2035.022	45x2	1"1/4	35L	135	-	50
130	62.061.2442.022	52x2	1"1/2	42L	-	-	60



Femelle DIN série L + O-Ring coudé à 90°

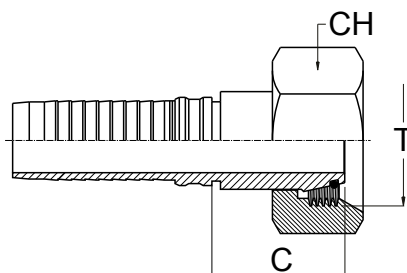
Pression de service (bar)	Code	Filetage T	Ø intérieur tuyau	DIN 24°	C	H	CH
280	62.061.1222.061	30x2	3/4"	22L	53	60,5	36
185	62.061.1628.061	36x2	1"	28L	61	84,5	41
165	62.061.2035.061	45x2	1"1/4	35L	82,5	93,5	50
130	62.061.2442.061	52x2	1"1/2	42L	104	111	60



Mâle DIN série S

Pression de service (bar)	Code	Filetage T	Ø intérieur tuyau	DIN 24°	C	CH
420	62.061.1220.006	30x2	3/4"	20S	32,5	30
	62.061.1225.006	36x2	3/4"	25S	36	36
414	62.061.1625.006	36x2	1"	25S	36	36
280	62.061.1630.006	42x2	1"	30S	38	46
250	62.061.2038.006	52x2	1"1/4	38S	44	55

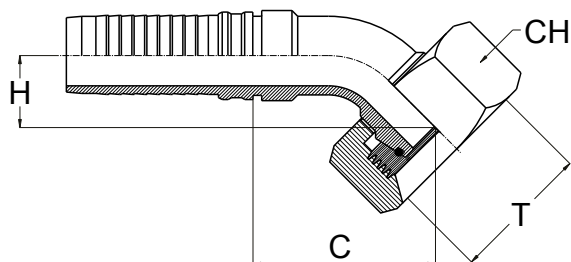
56



Femelle DIN Série S + O-Ring

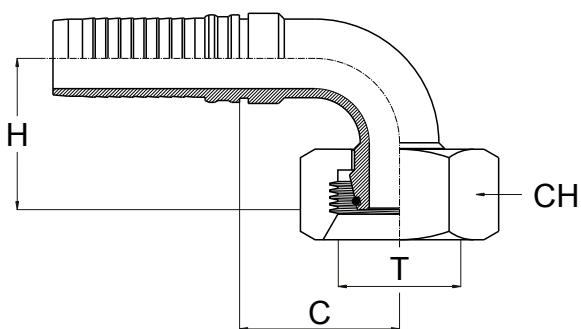
Pression de service (bar)	Code	Filetage T	Ø intérieur tuyau	DIN 24°	C	CH
420	62.061.1220.024	30x2	3/4"	20S	32	36
	62.061.1225.024	36x2	3/4"	25S	32	46
414	62.061.1625.024	36x2	1"	25S	33	46
280	62.061.1630.024	42x2	1"	30S	33	50
250	62.061.2038.024	52x2	1"1/4	38S	40	60
	62.061.2438.024	52x2	1"1/2	38S	40	60
	62.061.2450.024	68x2	1"1/2	50S	-	80

Embout à sertir interlock femelle DIN série S + O-Ring (Cône 24°) coudé 45 et 90°



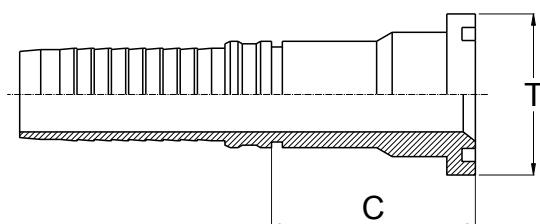
Femelle DIN série S + O-Ring coudé à 45°

Pression de service (bar)	Code	Filetage T	Ø intérieur tuyau	DIN 24°	C	H	CH
420	62.061.1220.028	30x2	3/4"	20S	85	29,5	36
	62.061.1225.028	36x2	3/4"	25S	87	35	46
414	62.061.1625.028	36x2	1"	25S	104,5	32,5	46
280	62.061.1630.028	42x2	1"	30S	108	35	50
250	62.061.2038.028	52x2	1"1/4	38S	135	62	60
	62.061.2438.028	52x2	1"1/2	38S	-	-	80



Femelle DIN série S + O-Ring coudé à 90°

Pression de service (bar)	Code	Filetage T	Ø intérieur tuyau	DIN 24°	C	H	CH
420	62.061.1220.026	30x2	3/4"	20S	50	64	36
	62.061.1225.026	36x2	3/4"	25S	50,5	60,5	46
414	62.061.1625.026	36x2	1"	25S	64	80,5	46
280	62.061.1630.026	42x2	1"	30S	64	77,5	50
250	62.061.2038.026	52x2	1"1/4	38S	79	93,5	60
	62.061.2438.026	52x2	1"1/2	38S	-	-	80



3000 PSI

Pression de service (bar)	Code	Bride	Ø intérieur tuyau	T	C
350	62.061.1212.050	3/4"	3/4"	38,1	45
	62.061.1216.050	1"	3/4"	44,5	-
280	62.061.1616.050	1"	1"	44,5	52
	62.061.1620.050	1"1/4	1"	50,8	52
210	62.061.2020.050	1"1/4	1"1/4	50,8	53
	62.061.2024.050	1"1/2	1"1/4	60,3	60
185	62.061.2424.050	1"1/2	1"1/2	60,3	60
170	62.061.3232.050	2"	2"	71,4	62
	62.061.3240.050*	2"1/2	2"	84,1	57

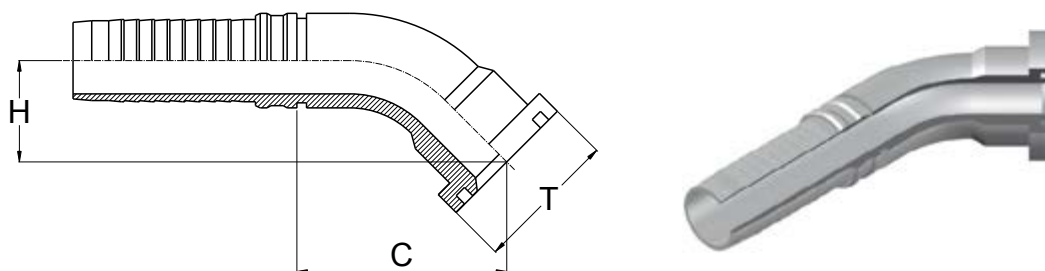
* Soudé

6000 PSI

Pression de service (bar)	Code	Bride	Ø intérieur tuyau	T	C
420	62.061.1212.053	3/4"	1/2"	41,3	51
	62.061.1216.053	1"	3/4"	47,6	56
415	62.061.1616.053	1"	1"	47,6	57
	62.061.1620.053	1"1/4	1"	54	57
	62.061.2020.053	1"1/4	1"1/4	54	65
	62.061.2024.053	1"1/2	1"1/4	63,5	69
	62.061.2424.053	1"1/2	1"1/2	63,5	75
345	62.061.3232.053	2"	2"	79,4	63
	62.061.3240.053*	2"1/2	2"	79,4	57

* Soudé

Embout à sertir interlock Bride SAE 3000 et 6000PSI coudé à 45°



3000 PSI

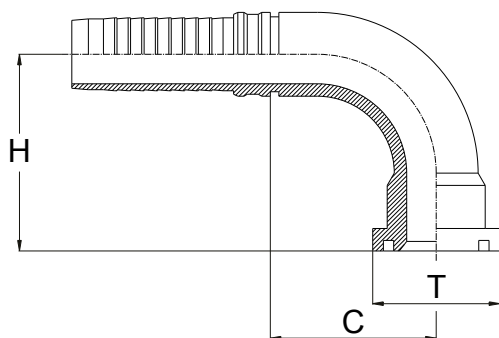
Pression de service (bar)	Code	Bride	Ø intérieur tuyau	T	C	H
350	62.061.1212.052	3/4"	3/4"	38,1	78,5	31
	62.061.1216.052	1"	3/4"	44,5	79	31,5
280	62.061.1616.052	1"	1"	44,5	100	32
	62.061.1620.052	1"1/4	1"	50,8	-	-
210	62.061.2020.052	1"1/4	1"1/4	50,8	125,5	39
	62.061.2024.052	1"1/2	1"1/4	60,3	-	-
185	62.061.2424.052	1"1/2	1"1/2	60,3	168	46
170	62.061.2432.052*	2"	1"1/2	71,4	-	-
	62.061.3240.052	2"	2"	71,4	-	-

* Soudé

6000 PSI

Pression de service (bar)	Code	Bride	Ø intérieur tuyau	T	C	H
420	62.061.1212.055	3/4"	3/4"	41,3	-	-
	62.061.1216.055	1"	3/4"	47,6	-	-
415	62.061.1616.055	1"	1"	47,6	94,2	31,8
	62.061.1620.055	1"1/4	1"	54	-	-
	62.061.2020.055	1"1/4	1"1/4	54	-	-
	62.061.2024.055	1"1/2	1"1/4	63,5	-	-
345	62.061.2424.055	1"1/2	1"1/2	63,5	-	-
	62.061.2432.055*	2"	1"1/2	79,4	-	-
	62.061.3232.055	2"	2"	79,4	-	-

* Soudé

**3000 PSi**

Pression de service (bar)	Code	Bride	Ø intérieur tuyau	T	C	H
350	62.061.1212.051	3/4"	3/4"	38,1	48,5	61,5
	62.061.1216.051	1"	3/4"	44,5	47,5	65
280	62.061.1616.051	1"	1"	44,5	63	77
	62.061.1620.051	1"1/4	1"	50,8	60	79
210	62.061.2020.051	1"1/4	1"1/4	50,8	78,5	99
	62.061.2024.051	1"1/2	1"1/4	60,3	74	105,5
185	62.061.2424.051	1"1/2	1"1/2	60,3	109,5	110,5
	62.061.2432.051*	2"	1"1/2	71,4	125,5	127
170	62.061.3232.051	2"	2"	71,4	125,5	129,5

* Soudé

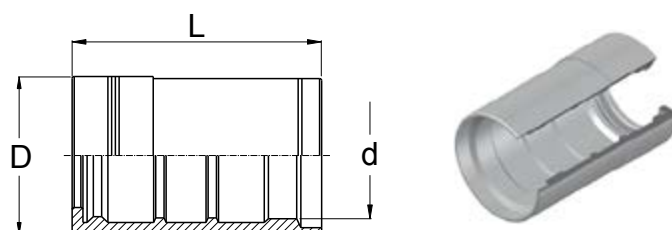
60

6000 PSi

Pression de service (bar)	Code	Bride	Ø intérieur tuyau	T	C	H
420	62.061.1212.054	3/4"	3/4"	41,3	46,5	63
	62.061.1216.054	1"	3/4"	47,6	52	61,5
415	62.061.1616.054	1"	1"	47,6	58	76
	62.061.1620.054	1"1/4	1"	54	57	83
	62.061.2020.054	1"1/4	1"1/4	54	84,5	95,5
	62.061.2024.054	1"1/2	1"1/4	63,5	-	-
345	62.061.2424.054	1"1/2	1"1/2	63,5	108	118
	62.061.2432.054*	2"	1"1/2	79,4	-	-
	62.061.3232.054	2"	2"	79,4	125	130

* Soudé

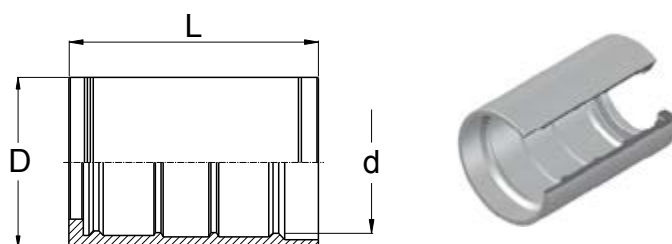
Jupe Interlock pour tuyaux 4SH



Code	Ø intérieur tuyau	D	d	L
62.011.004.12**	3/4"	38	30	60
62.011.004.16**	1"	46	37,2	74
62.011.004.20	1"1/4	55	44,2	88
62.011.004.24	1"1/2	62	51,3	88
62.011.004.32	1"	79,5	66	99

**Egalement pour tuyaux SAE 100 R13 - SAE 100 R15

Jupe Interlock pour tuyaux R13 et R15 (EN 856)



Code	Ø intérieur tuyau	D	d	L
62.011.005.20	1"1/4	60	49,5	88
62.011.005.24	1"1/2	67	56	88
62.011.005.32	1"	84,5	71	99