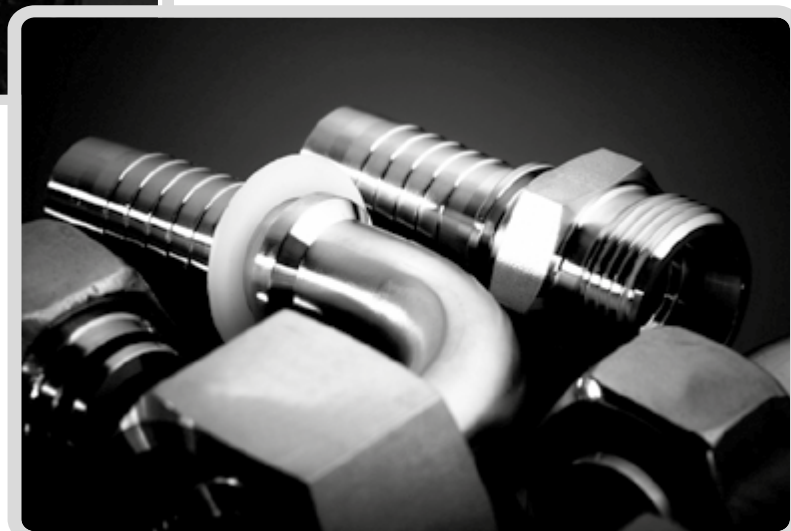


# EMBOUTS A SERTIR INOX POUR TUYAUX

---

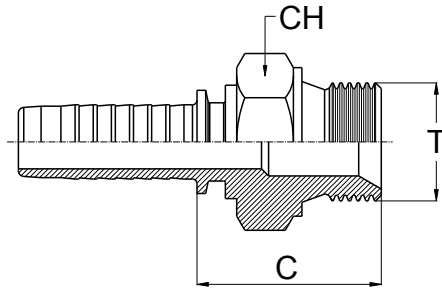
## ISO 12151 - SAE J 516





Banjo .....	41
Bride SAE .....	36
BSP (cône 60°) .....	6
BSP fond plat .....	25
Compact (BSP et JIC) .....	28
Bride SAE monobloc .....	40
Gaz cônica .....	32
JIC (cône 74°) .....	20
JIC double hexagone.....	24
JIS .....	24
Jonction .....	43
Jupe .....	44
DIN série L (cône 24°) .....	10
DIN série S (cône 24°) .....	14
Métrique (cône 60°).....	18
Nettoyeur Haute Pression (Kärcher) .....	43
NPT .....	33
ORFS .....	34
Demi-bride SAE monobloc .....	39
Tube lisse .....	29
Vis banjo.....	42

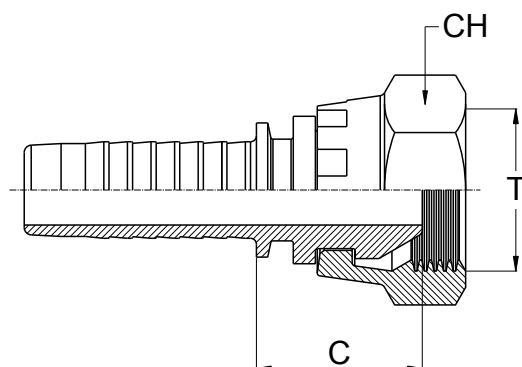
## EMBOUITS A SERTIR INOX POUR TUYAUX Embout à sertir mâle BSP (cône 60°)



Pression de service (bar)	Code	Filetage T	Ø intérieur tuyau	C	CH
415	62.021.0202.034	1/8"	1/8"	24	14
	62.021.0302.034	1/8"	3/16"	24,5	14
	62.021.0402.034	1/8"	1/4"	23,5	14
	62.021.0502.034	1/8"	5/16"	24,5	14
	62.021.0602.034	1/8"	3/8"	25	17
450	62.021.0304.034	1/4"	3/16"	27	19
450	62.021.0404.034	1/4"	1/4"	27	19
350	62.021.0504.034	1/4"	5/16"	27	19
450	62.021.0604.034	1/4"	3/8"	27	19
415	62.021.0804.034	1/4"	1/2"	28	19
450	62.021.0406.034	3/8"	1/4"	29	22
350	62.021.0506.034	3/8"	5/16"	29	22
450	62.021.0606.034	3/8"	3/8"	29	22
415	62.021.0806.034	3/8"	1/2"	29,5	22
450	62.021.0408.034	1/2"	1/4"	32	27
350	62.021.0508.034	1/2"	5/16"	32	27
450	62.021.0608.034	1/2"	3/8"	32	27
415	62.021.0808.034	1/2"	1/2"	32,5	27
350	62.021.1008.034	1/2"	5/8"	34	27
	62.021.1208.034	1/2"	3/4"	33	27
415	62.021.0810.034	5/8"	1/2"	33,5	30
350	62.021.1010.034	5/8"	5/8"	35	30
415	62.021.0812.034	3/4"	1/2"	35,5	32
350	62.021.1012.034	3/4"	5/8"	37	32
	62.021.1212.034	3/4"	3/4"	36,5	32
280	62.021.1612.034	3/4"	1"	37,5	32
350	62.021.1216.034	1"	3/4"	40,5	38
280	62.021.1616.034	1"	1"	41,5	38
	62.021.1620.034	1"1/4	1"	45,5	50
210	62.021.2021.034	1"1/4	1"1/4	46	50
185	62.021.2420.034	1"1/4	1"1/2	46,5	50
210	62.021.2024.034	1"1/2	1"1/4	46	55
185	62.021.2424.034	1"1/2	1"1/2	46,5	55
165	62.021.3232.034	2"	2"	50	70
120	62.021.3240.034	2"1/2	2"	54	80
	62.021.4040.034	2"1/2	2"1/2	56,5	80
70	62.021.4848.034	3"	3"	57	100

# EMBOUTS A SERTIR INOX POUR TUYAUX

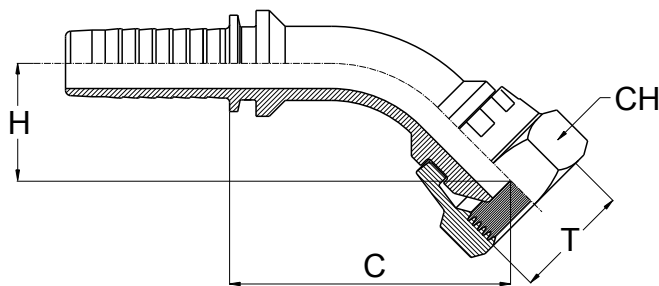
## Embout à sertir femelle BSP (cône 60°)



Pression de service (bar)	Code	Filetage T	Ø intérieur tuyau	C	CH
415	62.021.0202.035	1/8"	1/8"	17	17
	62.021.0302.035	1/8"	3/16"	17	17
	62.021.0402.035	1/8"	1/4"	17	17
	62.021.0204.035	1/4"	1/8"	17	19
	62.021.0304.035	1/4"	3/16"	17	19
450	62.021.0404.035	1/4"	1/4"	17	19
350	62.021.0504.035	1/4"	5/16"	17	19
450	62.021.0604.035	1/4"	3/8"	17	19
415	62.021.0306.035	3/8"	3/16"	19	22
450	62.021.0406.035	3/8"	1/4"	19	22
350	62.021.0506.035	3/8"	5/16"	20	22
450	62.021.0606.035	3/8"	3/8"	19	22
415	62.021.0806.035	3/8"	1/2"	19	22
450	62.021.0408.035	1/2"	1/4"	22	27
350	62.021.0508.035	1/2"	5/16"	23	27
450	62.021.0608.035	1/2"	3/8"	22	27
415	62.021.0808.035	1/2"	1/2"	23	27
350	62.021.1008.035	1/2"	5/8"	25	27
	62.021.1208.035	1/2"	3/4"	24	27
415	62.021.0810.035	5/8"	1/2"	25	30
350	62.021.1010.035	5/8"	5/8"	25	30
250	62.021.1201.035	5/8"	3/4"	24	30
415	62.021.0612.035	3/4"	3/8"	24	32
	62.021.0812.035	3/4"	1/2"	24	32
350	62.021.1012.035	3/4"	5/8"	27	32
	62.021.1212.035	3/4"	3/4"	25	32
280	62.021.1612.035	3/4"	1"	27	32
350	62.021.1216.035	1"	3/4"	26	38
280	62.021.1616.035	1"	1"	27	38
210	62.021.2016.035	1"	1"1/4	28	38
280	62.021.1620.035	1"1/4	1"	27	50
	62.021.2020.035	1"1/4	1"1/4	28	50
210	62.021.2024.035	1"1/2	1"1/4	32	55
	62.021.2424.035	1"1/2	1"1/2	33	55
185	62.021.2432.035	2"	1"1/2	31	70
	62.021.3232.035	2"	2"	31	70
120	62.021.4040.035	2"1/2	2"1/2	36	85
70	62.021.4848.035	3"	3"	38	100

EMBOUITS A SERTIR INOX POUR TUYAUX

**Embout à sertir femelle BSP coudé à 45° (Cône 60°)**

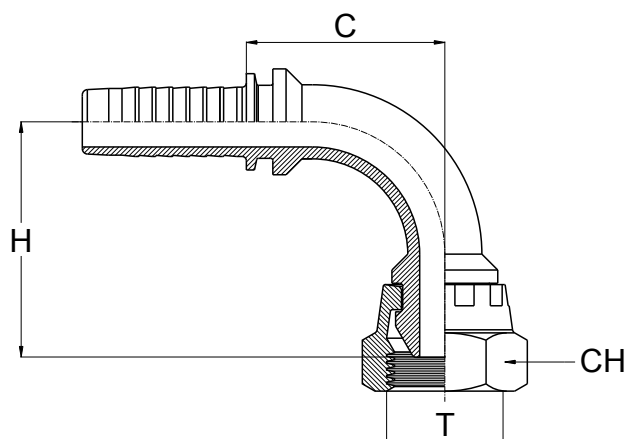


Pression de service (bar)	Code	Filetage T	Ø intérieur tuyau	C	H	CH
415	62.021.0202.037	1/8"	1/8"	39	17	17
	62.021.0204.037	1/4"	1/8"	39	17	19
	62.021.0302.037	1/8"	3/16"	39	15,5	17
	62.021.0402.037	1/8"	1/4"	39,5	16,5	17
	62.021.0304.037	1/4"	3/16"	39	15,5	19
450	62.021.0404.037	1/4"	1/4"	39,5	16,5	19
350	62.021.0504.037	1/4"	5/16"	37	16	19
450	62.021.0604.037	1/4"	3/8"	54	15,5	19
	62.021.0406.037	3/8"	1/4"	38,5	22,5	22
350	62.021.0506.037	3/8"	5/16"	58	30	22
450	62.021.0606.037	3/8"	3/8"	56	22	22
415	62.021.0806.037	3/8"	1/2"	-	-	22
350	62.021.0508.037	1/2"	5/16"	-	-	27
450	62.021.0608.037	1/2"	3/8"	57,5	22	27
415	62.021.0808.037	1/2"	1/2"	63,5	24	27
350	62.021.1008.037	1/2"	5/8"	76	26,5	27
	62.021.1208.037	1/2"	3/4"	87,4	27,5	27
415	62.021.0810.037	5/8"	1/2"	-	-	30
350	62.021.1010.037	5/8"	5/8"	72	21	30
415	62.021.0812.037	3/4"	1/2"	-	-	32
350	62.021.1012.037	3/4"	5/8"	76,5	27,5	32
	62.021.1212.037	3/4"	3/4"	86,5	32,5	32
	62.021.1216.037	1"	3/4"	89	34	38
280	62.021.1616.037	1"	1"	112,5	38,5	38
	62.021.1620.037	1"1/4	1"	-	-	50
150	62.021.2020.037	1"1/4	1"1/4	145,5	45	50
210	62.021.2024.037	1"1/2	1"1/4	-	-	55
185	62.021.2424.037	1"1/2	1"1/2	172,5	55,5	55
	62.021.2432.037*	2"	1"1/2	-	-	70
165	62.021.3232.037	2"	2"	187	50	70
	62.021.4040.037*	2"1/2	2"1/2	85,5	45	85

\* Soudé

# EMBOUITS A SERTIR INOX POUR TUYAUX

## Embout à sertir femelle BSP coudé 90° (cône 60°)

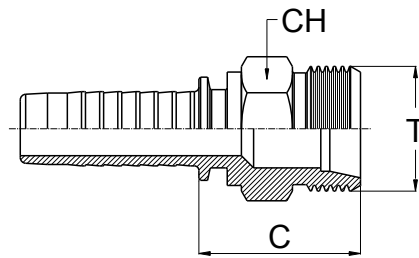


Pression de service (bar)	Code	Filetage T	Ø intérieur tuyau	C	H	CH
415	62.021.0202.036	1/8"	1/8"	23,5	26,5	17
	62.021.0204.036	1/4"	1/8"	23,5	26,5	19
	62.021.0302.036	1/8"	3/16"	28,5	29	17
	62.021.0402.036	1/8"	1/4"	23,5	26,5	17
	62.021.0304.036	1/4"	3/16"	28,5	28	19
450	62.021.0404.036	1/4"	1/4"	23,5	27,5	19
350	62.021.0504.036	1/4"	5/16"	25,5	25,5	19
450	62.021.0604.036	1/4"	3/8"	34,5	34,5	19
	62.021.0406.036	3/8"	1/4"	23,5	35,5	22
350	62.021.0506.036	3/8"	5/16"	25,5	36	22
450	62.021.0606.036	3/8"	3/8"	34,5	36,5	22
415	62.021.0806.036	3/8"	1/2"	37,5	44,5	22
350	62.021.0508.036	1/2"	5/16"	25,5	-	27
450	62.021.0608.036	1/2"	3/8"	34,5	37	27
415	62.021.0808.036	1/2"	1/2"	37,5	44,5	27
350	62.021.1008.036	1/2"	5/8"	44,5	52	27
	62.021.1208.036	1/2"	3/4"	52,5	59,5	27
415	62.021.0810.036	5/8"	1/2"	37,5	-	30
350	62.021.1010.036	5/8"	5/8"	44,5	52,5	30
415	62.021.0812.036	3/4"	1/2"	37,5	47	32
350	62.021.1012.036	3/4"	5/8"	44,5	52	32
	62.021.1212.036	3/4"	3/4"	52,5	59	32
	62.021.1216.036	1"	3/4"	52,5	62	38
280	62.021.1616.036	1"	1"	67,5	74,5	38
	62.021.1620.036	1"1/4	1"	67,5	-	50
150	62.021.2020.036	1"1/4	1"1/4	89	85,7	50
210	62.021.2024.036	1"1/2	1"1/4	85	103	55
185	62.021.2424.036	1"1/2	1"1/2	114	110	55
	62.021.2432.036*	2"	1"1/2	114	-	70
165	62.021.3232.036	2"	2"	126	122	70
70	62.021.4040.036*	2"1/2	2"1/2	102	122	85
50	62.021.4848.036	3"	3"	-	-	100

\* Soudé

EMBOUTS A SERTIR INOX POUR TUYAUX

**Embout à sertir mâle DIN série L (cône 24°)**

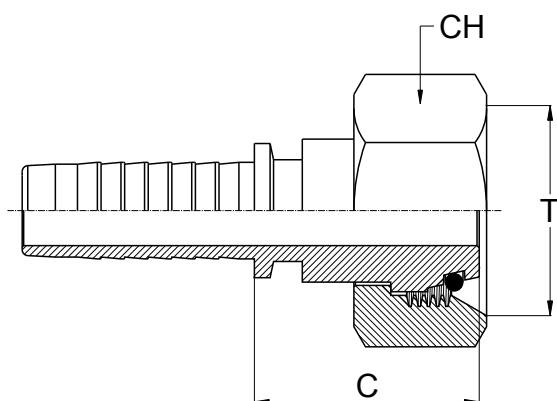


Pression de service (bar)	Code	Filetage T	Ø intérieur tuyau	DIN 24°	C	CH
280	62.021.0306.005	12x1,5	3/16"	06L	25	14
	62.021.0406.005	12x1,5	1/4"	06L	25	14
	62.021.0308.005	14x1,5	3/16"	08L	25	14
	62.021.0408.005	14x1,5	1/4"	08L	25	14
	62.021.0410.005	16x1,5	1/4"	10L	27	17
	62.021.0510.005	16x1,5	5/16"	10L	27	17
	62.021.0610.005	16x1,5	3/8"	10L	27	17
	62.021.0412.005	18x1,5	1/4"	12L	27	19
	62.021.0512.005	18x1,5	5/16"	12L	27	19
	62.021.0612.005	18x1,5	3/8"	12L	27	19
	62.021.0812.005	18x1,5	1/2"	12L	27	19
	62.021.0615.005	22x1,5	3/8"	15L	28,5	22
62.021.0815.005	22x1,5	1/2"	15L	28,5	22	
210	62.021.0818.005	26x1,5	1/2"	18L	31	27
	62.021.1018.005	26x1,5	5/8"	18L	31	27
	62.021.1218.005	26x1,5	3/4"	18L	30,5	27
	62.021.1022.005	30x2	5/8"	22L	32,5	30
	62.021.1222.005	30x2	3/4"	22L	32,5	30
165	62.021.1628.005	36x2	1"	28L	35,5	36
125	62.021.2035.005	45x2	1"1/4	35L	39	46
100	62.021.2442.005	52x2	1"1/2	42L	40,5	55



# EMBOUS A SERTIR INOX POUR TUYAUX

## Embout à sertir femelle DIN série L + O-Ring (Cône 24°)

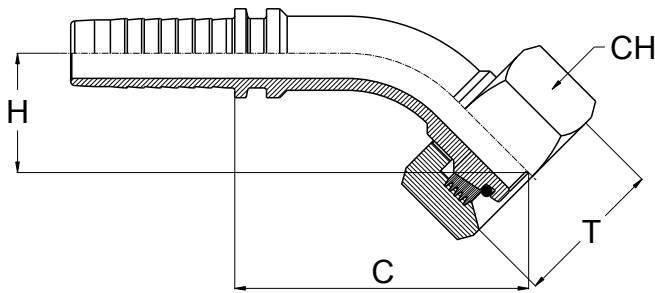


Pression de service (bar)	Code	Filetage T	Ø intérieur tuyau	DIN 24°	C	CH
280	62.021.0206.020	12x1,5	1/8"	06L	22,5	14
	62.021.0306.020	12x1,5	3/16"	06L	22,5	14
	62.021.0406.020	12x1,5	1/4"	06L	21,5	14
	62.021.0308.020	14x1,5	3/16"	08L	22,5	17
	62.021.0408.020	14x1,5	1/4"	08L	21,5	17
	62.021.0508.020	14x1,5	5/16"	08L	23	17
	62.021.0608.020*	14x1,5	3/8"	08L	21	17
	62.021.0310.020	16x1,5	3/16"	10L	26	19
	62.021.0410.020	16x1,5	1/4"	10L	26	19
	62.021.0510.020	16x1,5	5/16"	10L	26	19
	62.021.0610.020	16x1,5	3/8"	10L	26	19
	62.021.0412.020	18x1,5	1/4"	12L	24,5	22
	62.021.0512.020	18x1,5	5/16"	12L	26	22
	62.021.0612.020	18x1,5	3/8"	12L	26	22
	62.021.0812.020*	18x1,5	1/2"	12L	22,5	22
	62.021.0515.020	22x1,5	5/16"	15L	27	27
62.021.0615.020	22x1,5	3/8"	15L	27	27	
62.021.0815.020	22x1,5	1/2"	15L	27	27	
62.021.1015.020	22x1,5	5/8"	15L	27	27	
62.021.1215.020*	22x1,5	3/4"	15L	27,6	27	
62.021.0618.020	26x1,5	3/8"	18L	30,5	32	
62.021.0818.020	26x1,5	1/2"	18L	30,5	32	
62.021.1018.020	26x1,5	5/8"	18L	30,5	32	
62.021.1218.020*	26x1,5	3/4"	18L	31	32	
62.021.0822.020	30x2	1/2"	22L	36	36	
62.021.1022.020	30x2	5/8"	22L	36	36	
62.021.1222.020	30x2	3/4"	22L	36,5	36	
62.021.1622.020*	30x2	1"	22L	31	36	
62.021.1028.020	36x2	5/8"	28L	37	41	
62.021.1228.020	36x2	3/4"	28L	37	41	
62.021.1628.020	36x2	1"	28L	37	41	
62.021.2028.020*	36x2	1"1/4	28L	36,5	41	
125	62.021.2035.020	45x2	1"1/4	35L	36,5	50
100	62.021.2442.020	52x2	1"1/2	42L	36,5	60

\* Ecrou pré-serti

EMBOUITS A SERTIR INOX POUR TUYAUX

**Embout à sertir femelle DIN série L + O-Ring coudé à 45° (Cône 24°)**

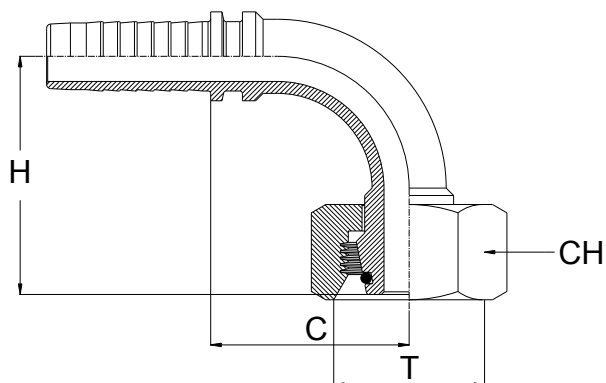


Pression de service (bar)	Code	Filetage T	Ø intérieur tuyau	DIN 24°	C	H	CH
280	62.021.0306.022	12x1,5	3/16"	06L	44	22	14
	62.021.0406.022	12x1,5	1/4"	06L	43,5	15,7	14
	62.021.0308.022	14x1,5	3/16"	08L	43,5	19,5	17
	62.021.0408.022	14x1,5	1/4"	08L	50	18	17
	62.021.0508.022	14x1,5	5/16"	08L	-	-	17
	62.021.0410.022	16x1,5	1/4"	10L	48	19	19
	62.021.0510.022	16x1,5	5/16"	10L	59	19,5	19
	62.021.0610.022	16x1,5	3/8"	10L	55	18	19
	62.021.0412.022	18x1,5	1/4"	12L	46	32	22
	62.021.0512.022	18x1,5	5/16"	12L	59	22	22
	62.021.0612.022	18x1,5	3/8"	12L	56,5	21	22
	62.021.0812.022*	18x1,5	1/2"	12L	62	20,5	22
	62.021.0615.022	22x1,5	3/8"	15L	-	-	27
62.021.0815.022	22x1,5	1/2"	15L	68	25,5	27	
210	62.021.0618.022	26x1,5	3/8"	18L	-	-	32
	62.021.0818.022	26x1,5	1/2"	18L	70,5	28,5	32
	62.021.1018.022	26x1,5	5/8"	18L	75,5	28	32
	62.021.1218.022	26x1,5	3/4"	18L	85	22,5	32
	62.021.1022.022	30x2	5/8"	22L	-	-	36
	62.021.1222.022	30x2	3/4"	22L	88,5	33	36
165	62.021.1228.022	36x2	3/4"	28L	86	27,5	41
	62.021.1628.022	36x2	1"	28L	108	37	41
125	62.021.2035.022	45x2	1"1/4	35L	132,5	32,5	50
100	62.021.2442.022	52x2	1"1/2	42L	-	-	60

\* Ecrou pré-serti

# EMBOUITS A SERTIR INOX POUR TUYAUX

## Embout à sertir femelle DIN série L + O-Ring coudé à 90° (Cône 24°)

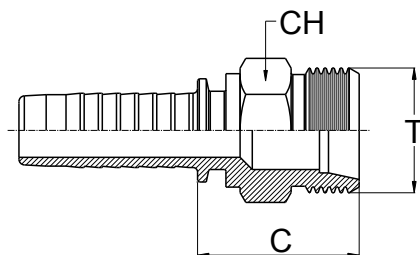


Pression de service (bar)	Code	Filetage T	Ø intérieur tuyau	DIN 24°	C	H	CH
280	62.021.0306.021	12x1,5	3/16"	06L	24,5	32	14
	62.021.0406.021	12x1,5	1/4"	06L	24	32	14
	62.021.0308.021	14x1,5	3/16"	08L	26,5	31	17
	62.021.0408.021	14x1,5	1/4"	08L	24	32	17
	62.021.0508.021	14x1,5	5/16"	08L	33,5	39,1	17
	62.021.0310.021	16x1,5	3/16"	10L	27,5	35	17
	62.021.0410.021	16x1,5	1/4"	10L	28	34,5	19
	62.021.0510.021	16x1,5	5/16"	10L	37	36,5	19
	62.021.0610.021	16x1,5	3/8"	10L	35	37,5	19
	62.021.0412.021	18x1,5	1/4"	12L	27	36,5	22
	62.021.0512.021	18x1,5	5/16"	12L	37	36,5	22
	62.021.0612.021	18x1,5	3/8"	12L	35,5	36,5	22
	62.021.0812.021*	18x1,5	1/2"	12L	36,5	36,5	22
	62.021.0615.021	22x1,5	3/8"	15L	40	38,5	27
62.021.0815.021	22x1,5	1/2"	15L	37,5	45	27	
210	62.021.0618.021	26x1,5	1/2"	18L	39	38,5	32
	62.021.0818.021	26x1,5	1/2"	18L	39	49	32
	62.021.1018.021	26x1,5	5/8"	18L	44	48,5	32
	62.021.1218.021	26x1,5	3/4"	18L	52	63	32
	62.021.1022.021	30x2	5/8"	22L	46	47,5	36
	62.021.1222.021	30x2	3/4"	22L	55,5	60,5	36
165	62.021.1228.021	36x2	3/4"	28L	56	61	41
	62.021.1628.021	36x2	1"	28L	62,5	79,5	41
125	62.021.2035.021	45x2	1"1/4	35L	85	102,5	50
100	62.021.2442.021	52x2	1"1/2	42L	107	111	60

\* Ecrou pré-serti

## EMBOUTS A SERTIR INOX POUR TUYAUX

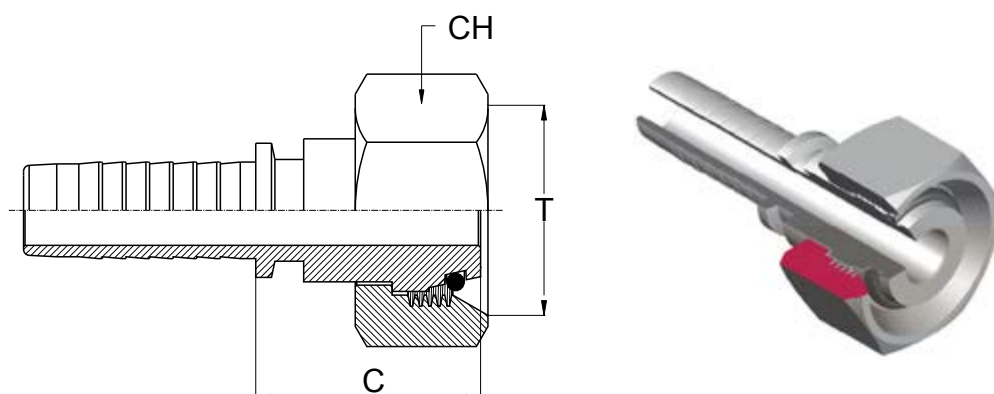
### Embout à sertir mâle DIN série S (cône 24°)



Pression de service (bar)	Code	Filetage T	Ø intérieur tuyau	DIN 24°	C	CH
450	62.021.0406.006	14x1,5	1/4"	06S	27,5	14
	62.021.0408.006	16x1,5	1/4"	08S	28	17
	62.021.0410.006	18x1,5	1/4"	10S	27	19
350	62.021.0510.006	18x1,5	5/16"	10S	27	19
450	62.021.0610.006	18x1,5	3/8"	10S	27	19
	62.021.0412.006	20x1,5	1/4"	12S	28	22
350	62.021.0512.006	20x1,5	5/16"	12S	28	22
450	62.021.0612.006	20x1,5	3/8"	12S	28	22
350	62.021.0514.006	22x1,5	5/16"	14S	29,5	22
450	62.021.0614.006	22x1,5	3/8"	14S	29,5	24
420	62.021.0616.006	24x1,5	3/8"	16S	31	24
	62.021.0816.006	24x1,5	1/2"	16S	31	24
350	62.021.1016.006	24x1,5	5/8"	16S	32,5	24
280	62.021.1616.006	24x1,5	1"	16S	32	36
350	62.021.0820.006	30x2	1/2"	20S	33,5	30
	62.021.1021.006	30x2	5/8"	20S	35	30
	62.021.1220.006	30x2	3/4"	20S	35	30
	62.021.1225.006	36x2	3/4"	25S	37,5	36
280	62.021.1625.006	36x2	1"	25S	38,5	36
350	62.021.0830.006	42x2	1/2"	30S	41,5	46
280	62.021.1630.006	42x2	1"	30S	42,5	46
210	62.021.2030.006	42x2	1"1/4	30S	43,5	46
280	62.021.1638.006	52x2	1"	38S	45	55
210	62.021.2438.006	52x2	1"1/4	38S	46	55

# EMBOUS A SERTIR INOX POUR TUYAUX

## Embout à sertir femelle DIN série S + O-Ring (Cône 24°)

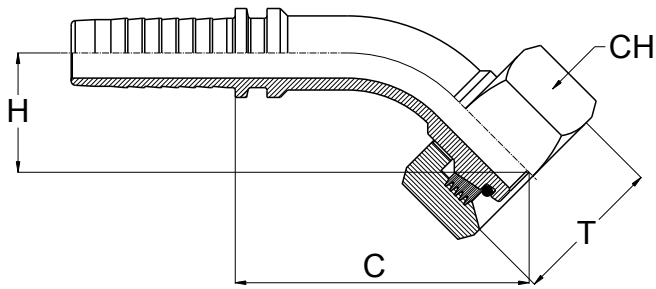


Pression de service (bar)	Code	Filetage T	Ø intérieur tuyau	DIN 24°	C	CH
420	62.021.0306.024	14x1,5	3/16"	06S	22,5	17
450	62.021.0406.024	14x1,5	1/4"	06S	22,5	17
420	62.021.0308.024	16x1,5	3/16"	08S	22,5	19
450	62.021.0408.024	16x1,5	1/4"	08S	22,5	19
350	62.021.0508.024	16x1,5	5/16"	08S	26	19
450	62.021.0608.024	16x1,5	3/8"	08S	26	19
	62.021.0410.024	18x1,5	1/4"	10S	26	22
350	62.021.0510.024	18x1,5	5/16"	10S	25,5	22
450	62.021.0610.024	18x1,5	3/8"	10S	26	22
	62.021.0412.024	20x1,5	1/4"	12S	26	24
350	62.021.0512.024	20x1,5	5/16"	12S	26	24
450	62.021.0612.024	20x1,5	3/8"	12S	26	24
420	62.021.0812.024	20x1,5	1/2"	12S	27	24
350	62.021.0514.024	22x1,5	5/16"	14S	27	27
450	62.021.0614.024	22x1,5	3/8"	14S	26,5	27
	62.021.0814.024	22x1,5	1/2"	14S	26	27
	62.021.0616.024	24x1,5	3/8"	16S	32	30
420	62.021.0816.024	24x1,5	1/2"	16S	32	30
	62.021.1016.024	24x1,5	5/8"	16S	36	30
	62.021.0820.024	30x2	1/2"	20S	36	36
350	62.021.1020.024	30x2	5/8"	20S	36	36
	62.021.1220.024	30x2	3/4"	20S	36,5	36
	62.021.1025.024	36x2	5/8"	25S	36,5	46
	62.021.1225.024	36x2	3/4"	25S	36,5	46
	62.021.1625.024	36x2	1"	25S	37	46
280	62.021.1230.024	42x2	3/4"	30S	36,5	50
	62.021.1630.024	42x2	1"	30S	37	50
	62.021.2030.024*	42x2	1"1/4	30S	36,5	50
210	62.021.1638.024	52x2	1"	38S	37	60
	62.021.2038.024	52x2	1"1/4	38S	42,5	60
185	62.021.2438.024	52x2	1"1/2	38S	42,5	60
	62.021.2450.024	68x2	1"1/2	50S	37	80

\* Ecrou pré-serti

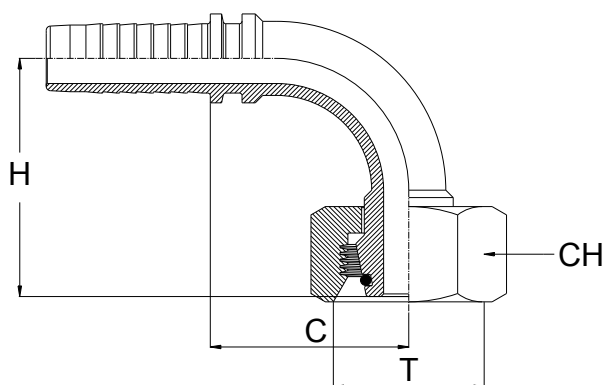
EMBOUITS A SERTIR INOX POUR TUYAUX

**Embout à sertir femelle DIN série S + O-Ring coudé à 45° (Cône 24°)**



Pression de service (bar)	Code	Filetage T	Ø intérieur tuyau	DIN 24°	C	H	CH
420	62.021.0306.028	14x1,5	3/16"	06S	-	--	17
450	62.021.0406.028	14x1,5	1/4"	06S	-	-	17
420	62.021.0308.028	16x1,5	3/16"	08S	-	-	19
450	62.021.0408.028	16x1,5	1/4"	08S	47	16,5	19
350	62.021.0508.028	16x1,5	5/16"	08S	-	-	19
450	62.021.0410.028	18x1,5	1/4"	10S	48,5	22,5	22
350	62.021.0510.028	18x1,5	5/16"	10S	-	-	22
450	62.021.0610.028	18x1,5	3/8"	10S	55	19	22
	62.021.0412.028	20x1,5	1/4"	12S	-	-	24
350	62.021.0512.028	20x1,5	5/16"	12S	55	18,5	24
450	62.021.0612.028	20x1,5	3/8"	12S	58,5	22,5	24
420	62.021.0812.028	20x1,5	1/2"	12S	-	-	24
450	62.021.0614.028	22x1,5	3/8"	14S	57	25,5	27
420	62.021.0814.028	22x1,5	1/2"	14S	-	-	27
	62.021.0616.028	24x1,5	3/8"	16S	-	-	30
	62.021.0816.028	24x1,5	1/2"	16S	67,5	28	30
350	62.021.1016.028	24x1,5	5/8"	16S	68	23	30
	62.021.0820.028	30x2	1/2"	20S	-	-	36
	62.021.1020.028	30x2	5/8"	20S	73,5	28,5	36
	62.021.1220.028	30x2	3/4"	20S	87	29,5	36
	62.021.1225.028	36x2	3/4"	25S	89,5	35	46
280	62.021.1625.028	36x2	1"	25S	110,5	35	46
	62.021.1230.028	42x2	3/4"	30S	89	30,5	50
	62.021.1638.028	42x2	1"	30S	110,5	35	50
210	62.021.2038.028	52x2	1"1/4	38S	138	62	60
185	62.021.2438.028	52x2	1"1/2	38S	-	-	60
	62.021.2450.028	68x2	1"1/2	50S	-	-	60

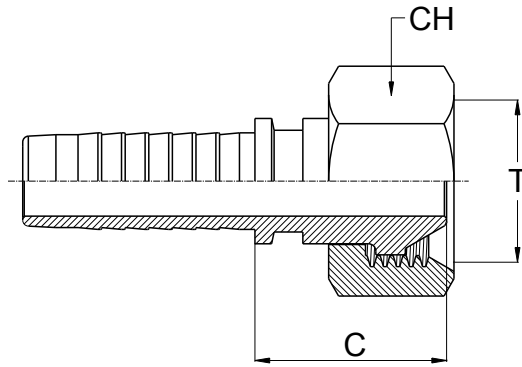
## Embout à sertir femelle DIN série S + O-Ring coudé à 90° (Cône 24°)



Pression de service (bar)	Code	Filetage T	Ø intérieur tuyau	DIN 24°	C	H	CH
420	62.021.0306.026	14x1,5	3/16"	06S	24,5	32	17
450	62.021.0406.026	14x1,5	1/4"	06S	27	32	17
420	62.021.0308.026	16x1,5	3/16"	08S	27	32	19
450	62.021.0408.026	16x1,5	1/4"	08S	22,5	33,5	19
350	62.021.0508.026	16x1,5	5/16"	08S	37	36,5	19
350	62.021.0608.026	16x1,5	3/8"	08S	35	37,5	19
450	62.021.0410.026	18x1,5	1/4"	10S	28	35,5	22
350	62.021.0510.026	18x1,5	5/16"	10S	37	36,5	22
450	62.021.0610.026	18x1,5	3/8"	10S	37	37,5	22
	62.021.0412.026	20x1,5	1/4"	12S	27	36,5	24
350	62.021.0512.026	20x1,5	5/16"	12S	37	37	24
450	62.021.0612.026	20x1,5	3/8"	12S	35,5	36,5	24
420	62.021.0812.026	20x1,5	1/2"	12S	37	47,5	24
450	62.021.0614.026	22x1,5	3/8"	14S	39,5	38,5	27
420	62.021.0814.026	22x1,5	1/2"	14S	40	46,5	27
	62.021.0616.026	24x1,5	3/8"	16S	35,4	43	30
	62.021.0816.026	24x1,5	1/2"	16S	36,5	45,5	30
350	62.021.1016.026	24x1,5	5/8"	16S	42	50	30
	62.021.0820.026	30x2	1/2"	20S	40	48	36
	62.021.1020.026	30x2	5/8"	20S	42	50	36
	62.021.1220.026	30x2	3/4"	20S	47,5	65,5	36
	62.021.1225.026	36x2	3/4"	25S	55,5	60,5	46
280	62.021.1625.026	36x2	1"	25S	69,5	74,5	46
	62.021.1230.026	42x2	3/4"	30S	53	65	50
	62.021.1630.026	42x2	1"	30S	68	78,5	50
210	62.021.2038.026	52x2	1"1/4	38S	84	93	60
185	62.021.2438.026	52x2	1"1/2	38S	108	112	60
	62.021.2450.026	68x2	1"1/2	50S	-	-	80

EMBOUTS A SERTIR INOX POUR TUYAUX

**Embout à sertir femelle métrique (Cône 60°)**



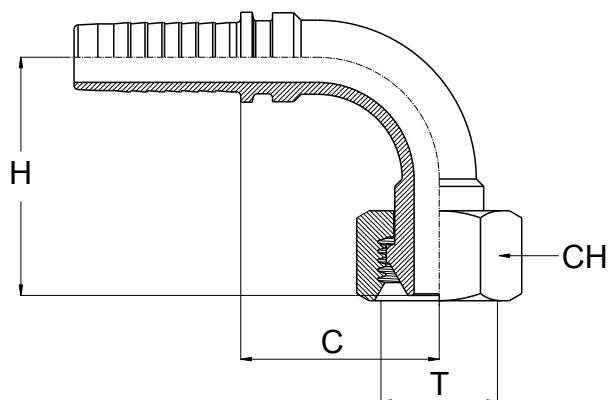
Pression de service (bar)	Code	Filetage T	Ø intérieur tuyau	C	CH
350	62.021.0312.057	12x1,5	3/16"	22	14
	62.021.0412.057	12x1,5	1/4"	21,5	14
	62.021.0414.057	14x1,5	1/4"	21,5	17
	62.021.0514.057*	14x1,5	5/16"	21	17
	62.021.0416.057	16x1,5	1/4"	21,5	19
	62.021.0516.057	16x1,5	5/16"	26	19
315	62.021.0616.057	16x1,5	3/8"	26	19
	62.021.0816.057	16x1,5	1/2"	26	19
350	62.021.0418.057	18x1,5	1/4"	26	22
	62.021.0518.057	18x1,5	5/16"	26	22
	62.021.0618.057	18x1,5	3/8"	26	22
315	62.021.0620.057	20x1,5	3/8"	26	24
	62.021.0820.057	20x1,5	1/2"	27	24
	62.021.0622.057	22x1,5	3/8"	24,2	27
	62.021.0822.057	22x1,5	1/2"	26	27
250	62.021.0826.057	26x1,5	1/2"	31	32
	62.021.1026.057	26x1,5	5/8"	30,5	32
210	62.021.1230.057	30x1,5	3/4"	36,5	36
165	62.021.1638.057	38x1,5	1"	37	46
125	62.021.2445.057	45x1,5	1"1/4"	36,5	50

\* Ecrou pré-serti



# EMBOUS A SERTIR INOX POUR TUYAUX

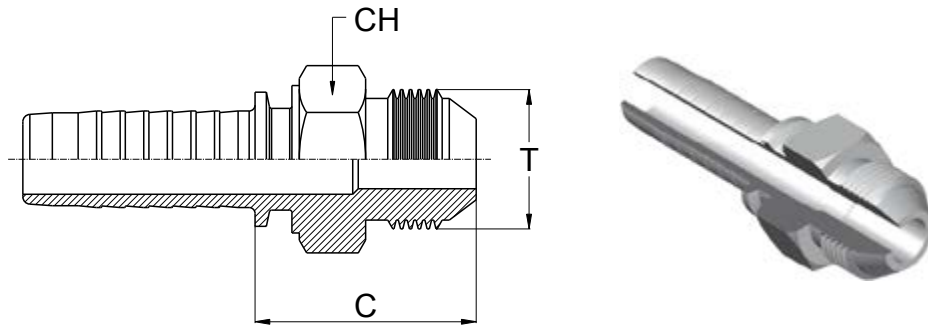
## Embout à sertir femelle métrique (Cône 60°) coudé à 90°



Pression de service (bar)	Code	Filetage T	Ø intérieur tuyau	C	H	CH
350	62.021.0312.059	12x1,5	3/16"	24	32	14
	62.021.0412.059	12x1,5	1/4"	24	32	14
	62.021.0414.059	14x1,5	1/4"	24	32	17
	62.021.0416.059	16x1,5	1/4"	28	34,5	19
	62.021.0516.059	16x1,5	5/16"	37	36,5	19
	62.021.0616.059	16x1,5	3/8"	35	37,5	19
	62.021.0518.059	18x1,5	5/16"	37	36,5	22
315	62.021.0618.059	18x1,5	3/8"	35,5	36,5	22
	62.021.0620.059	20x1,5	3/8"	35,5	36,5	24
250	62.021.0822.059	22x1,5	1/2"	37,5	45	27
	62.021.0826.059	26x1,5	1/2"	39	49	32
210	62.021.1026.059	26x1,5	5/8"	44	48,5	32
	62.021.1230.059	30x1,5	3/4"	55,5	59,5	36
165	62.021.1638.059	38x1,5	1"	70,5	75	46

Egalement disponible en version coudée à 45°

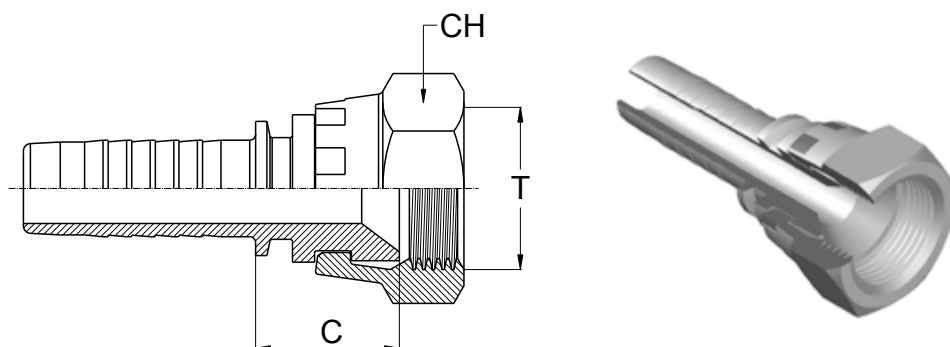
## EMBOUITS A SERTIR INOX POUR TUYAUX Embout à sertir mâle JIC (Cône 74°)



Pression de service (bar)	Code	Filetage	Ø intérieur tuyau	C	CH
415	62.021.0304.038	7/16"	3/16"	28,1	14
450	62.021.0404.038	7/16"	1/4"	27,5	14
	62.021.0405.038	12"	1/4"	28,5	14
	62.021.0406.038	9/16"	1/4"	28	17
350	62.021.0506.038	9/16"	5/16"	27,9	17
450	62.021.0606.038	9/16"	3/8"	28,3	17
415	62.021.0608.038	3/4"	3/8"	30,5	22
	62.021.0808.038	3/4"	1/2"	30	22
350	62.021.0610.038	7/8"	3/8"	35,3	24
	62.021.0810.038	7/8"	1/2"	35	24
	62.021.1010.038	7/8"	5/8"	37,7	24
	62.021.1210.038	7/8"	3/4"	36,5	27
	62.021.0812.038	1"1/16	1/2"	38	27
	62.021.1012.038	1"1/16	5/8"	39	27
	62.021.1212.038	1"1/16	3/4"	39,5	27
280	62.021.1612.038	1"1/16	1"	42,5	32
	62.021.1216.038	1"5/16	3/4"	41	36
	62.021.1616.038	1"5/16	1"	43,8	36
	62.021.1620.038	1"5/8	1"	45,5	46
210	62.021.2020.038	1"5/8	1"1/4	46,5	46
	62.021.1624.038	1"7/8	1"	50	50
	62.021.2024.038	1"7/8	1"1/4	51	50
140	62.021.2424.038	1"7/8	1"1/2	51	50
105	62.021.3232.038	2"1/2	2"	-	65

# EMBOUS A SERTIR INOX POUR TUYAUX

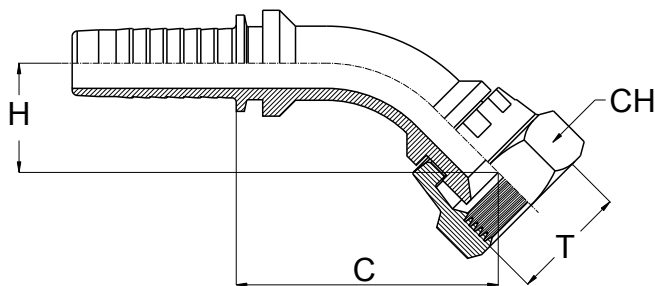
## Embout à sertir femelle JIC (Cône 74°)



Pression de service (bar)	Code	Filetage T	Ø intérieur tuyau	C	CH
350	62.021.0304.039	7/16"	3/16"	15,5	17
	62.021.0404.039	7/16"	1/4"	15,5	17
	62.021.0504.039	7/16"	5/16"	15,5	17
	62.021.0604.039	7/16"	3/8"	15,5	17
	62.021.0305.039	1/2"	3/16"	15,5	17
	62.021.0405.039	1/2"	1/4"	15,5	17
250	62.021.0505.039	1/2"	5/16"	15,5	17
	62.021.0605.039	1/2"	3/8"	15,5	17
	62.021.0406.039	9/16"	1/4"	15,5	19
	62.021.0506.039	9/16"	5/16"	15,5	19
	62.021.0606.039	9/16"	3/8"	15,5	19
	62.021.0806.039	9/16"	1/2"	16,5	19
	62.021.0607.039	5/8"	3/8"	15,5	22
	62.021.0408.039	3/4"	1/4"	19	24
	62.021.0508.039	3/4"	5/16"	19	24
	62.021.0608.039	3/4"	3/8"	19	24
200	62.021.0808.039	3/4"	1/2"	19,5	24
	62.021.1008.039	3/4"	5/8"	20	24
	62.021.1208.039	3/4"	3/4"	20,5	24
	62.021.0610.039	7/8"	3/8"	19	27
	62.021.0810.039	7/8"	1/2"	19,5	27
	62.021.1010.039	7/8"	5/8"	20	27
	62.021.1210.039	7/8"	3/4"	20,5	27
	62.021.0812.039	1"1/16	1/2"	23	32
	62.021.1012.039	1"1/16	5/8"	23	32
	62.021.1212.039	1"1/16	3/4"	23	32
160	62.021.1612.039	1"1/16	1"	23,5	32
	62.021.1216.039	1"5/16	3/4"	23,5	38
100	62.021.1616.039	1"5/16	1"	24,5	38
	62.021.2016.039	1"5/16	1"1/4	25,5	38
125	62.021.1620.039	1"5/8	1"	27	50
	62.021.2020.039	1"5/8	1"1/4	28	50
100	62.021.2024.039	1"7/8	1"1/4	28	55
	62.021.2424.039	1"7/8	1"1/2	28	55
80	62.021.3232.039	2"1/2	2"	31	70

EMBOUITS A SERTIR INOX POUR TUYAUX

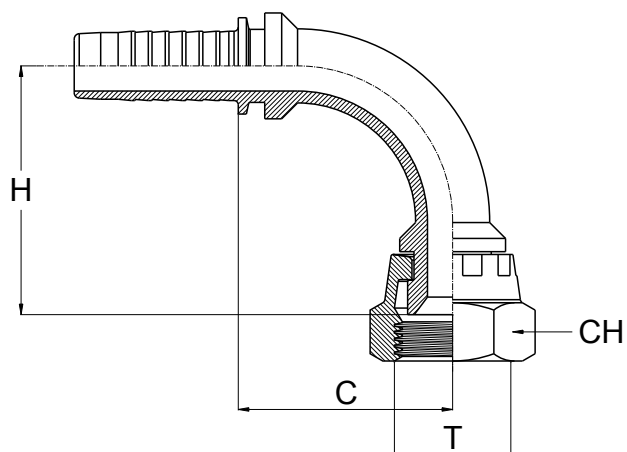
**Embout à sertir femelle JIC (Cône 74°) coudé à 45°**



Pression de service (bar)	Code	Filetage T	Ø intérieur tuyau	C	H	CH
350	62.021.0304.041	7/16"	3/16"	39	14,5	17
	62.021.0404.041	7/16"	1/4"	41,5	18,5	17
	62.021.0504.041	7/16"	5/16"	-	-	17
	62.021.0305.041	1/2"	3/16"	-	-	17
	62.021.0405.041	1/2"	1/4"	42,5	19,5	17
	62.021.0505.041	1/2"	5/16"	38,3	12	17
250	62.021.0605.041	1/2"	3/8"	59	20,5	17
	62.021.0406.041	9/16"	3/8"	61,5	23	19
	62.021.0506.041	9/16"	5/16"	68,5	26	19
	62.021.0606.041	9/16"	3/8"	52,5	16,5	19
	62.021.0408.041	3/4"	1/4"	46	11,5	24
	62.021.0608.041	3/4"	3/8"	56	16	24
200	62.021.0808.041	3/4"	1/2"	64	20	24
	62.021.1008.041	3/4"	5/8"	-	-	24
	62.021.1208.041	3/4"	3/4"	-	-	24
	62.021.0610.041	7/8"	3/8"	58	23,5	27
	62.021.0810.041	7/8"	1/2"	70,5	36	27
	62.021.1010.041	7/8"	5/8"	70	41	27
	62.021.0812.041	1"1/16	1/2"	-	-	32
	62.021.1012.041	1"1/16	5/8"	79	26,5	32
160	62.021.1212.041	1"1/16	3/4"	98,5	35	32
	62.021.1612.041	1"1/16	1"	-	-	32
125	62.021.1216.041	1"5/16	3/4"	86	26	38
	62.021.1616.041	1"5/16	1"	109	37	38
100	62.021.1620.041	1"5/8	1"	-	-	50
	62.021.2020.041	1"5/8	1"1/4	134	43	50
80	62.021.2024.041	1"7/8	1"1/4	135	46,3	55
	62.021.2424.041	1"7/8	1"1/2	172,5	53,5	55
80	62.021.3232.041	2"1/2	2"	-	-	70

# EMBOUITS A SERTIR INOX POUR TUYAUX

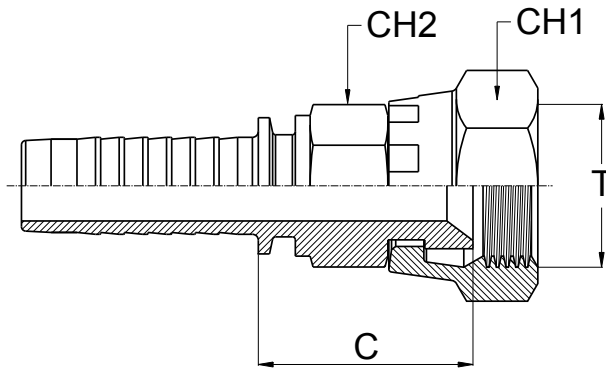
## Embout à sertir femelle JIC (Cône 74°) coudé à 90°



Pression de service (bar)	Code	Filetage T	Ø intérieur tuyau	C	H	CH
350	62.021.0304.040	7/16"	3/16"	24,5	26,5	17
	62.021.0404.040	7/16"	1/4"	23,5	30,5	17
	62.021.0504.040	7/16"	5/16"	25	28	17
	62.021.0604.040	7/16"	3/8"	36,5	34	17
	62.021.0305.040	1/2"	3/16"	24	24,5	17
	62.021.0405.040	1/2"	1/4"	23,5	30,5	17
	62.021.0505.040	1/2"	5/16"	24,5	27	17
250	62.021.0605.040	1/2"	3/8"	36,5	33	17
	62.021.0406.040	9/16"	1/4"	22	35	19
	62.021.0506.040	9/16"	5/16"	38,5	37,5	19
	62.021.0606.040	9/16"	3/8"	35	36	19
	62.021.0408.040	3/4"	1/4"	24	34	24
	62.021.0508.040	3/4"	5/16"	-	-	24
	62.021.0608.040	3/4"	3/8"	40	46,5	24
200	62.021.0808.040	3/4"	1/2"	36,5	45	24
	62.021.1008.040	3/4"	5/8"	-	-	24
	62.021.1208.040	3/4"	3/4"	-	-	24
	62.021.0610.040	7/8"	3/8"	40	38,5	27
	62.021.0810.040	7/8"	1/2"	40	47	27
	62.021.1010.040	7/8"	5/8"	43,1	52,6	27
	62.021.0812.040	1"1/16	1/2"	37	48	32
	62.021.1012.040	1"1/16	5/8"	43,5	57	32
160	62.021.1212.040	1"1/16	3/4"	55	68	32
	62.021.1612.040	1"1/16	1"	-	-	32
125	62.021.1216.040	1"5/16	3/4"	53,5	70,5	38
	62.021.1616.040	1"5/16	1"	70,5	88	38
100	62.021.1620.040	1"5/8	1"	64	81	50
	62.021.2020.040	1"5/8	1"1/4	83,5	89,5	50
80	62.021.2024.040	1"7/8	1"1/4	88	89	55
	62.021.2424.040	1"7/8	1"1/2	113,5	110,5	55
80	62.021.3232.040	2"1/2	2"	-	-	70

EMBOUITS A SERTIR INOX POUR TUYAUX

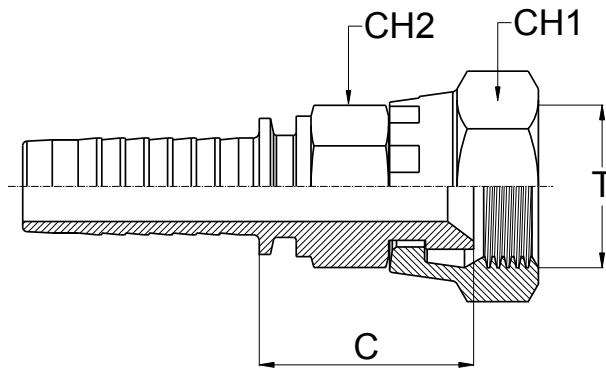
**Embout à sertir femelle JIC (Cône 74°) / JIS (Cône 60°) double hexagone**



**JIC cône 74° double hexagone**

Pression de service (bar)	Code	Filetage T	Ø intérieur tuyau	C	CH1	CH2	
350	62.021.0404.039H	7/16"	1/4"	25,5	17	14	
	62.021.0405.039H	1/2"	1/4"	25,5	17	14	
250	62.021.0505.039H	1/2"	5/16"	-	17	14	
	62.021.0406.039H	9/16"	1/4"	25,5	19	14	
	62.021.0506.039H	9/16"	5/16"	25,5	19	14	
	62.021.0606.039H	9/16"	3/8"	25,8	19	17	
200	62.021.0608.039H	3/4"	3/8"	28,8	24	19	
	62.021.0808.039H	3/4"	1/2"	29,5	24	19	
	62.021.0810.039H	7/8"	1/2"	29,5	27	22	
	62.021.1010.039H	7/8"	5/8"	31	27	22	
	62.021.1012.039H	1"1/16	5/8"	-	32	27	
	62.021.1212.039H	1"1/16	3/4"	34	32	27	
	160	62.021.1616.039H	1"5/16	1"	35,5	38	32

24



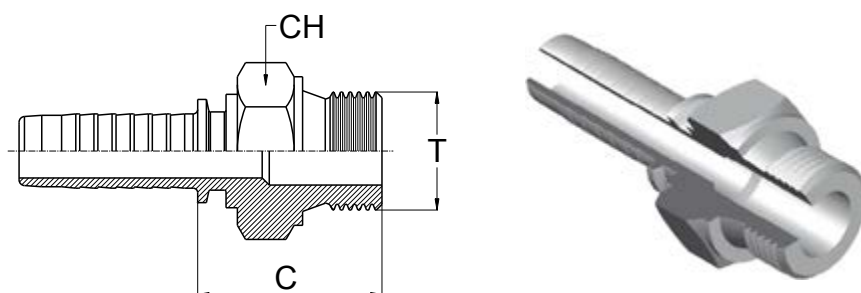
**JIS (TOYOTA) cône 60° double hexagone**

Pression de service (bar)	Code	Filetage T	Ø intérieur tuyau	C	CH1	CH2
350	62.021.0404.042	1/4"	1/4"	25,5	19	17
250	62.021.0606.042	3/8"	3/8"	26,5	22	19
	62.021.0808.042	1/2"	1/2"	28,5	27	22
200	62.021.1212.042	3/4"	3/4"	34	32	30
160	62.021.1616.042	1"	1"	35,5	38	36
100	62.021.2020.042	1"1/4	1"1/4	-	50	46
	62.021.2424.042	1"1/2	1"1/2	-	55	50

Disponible également en version coudée à 90°

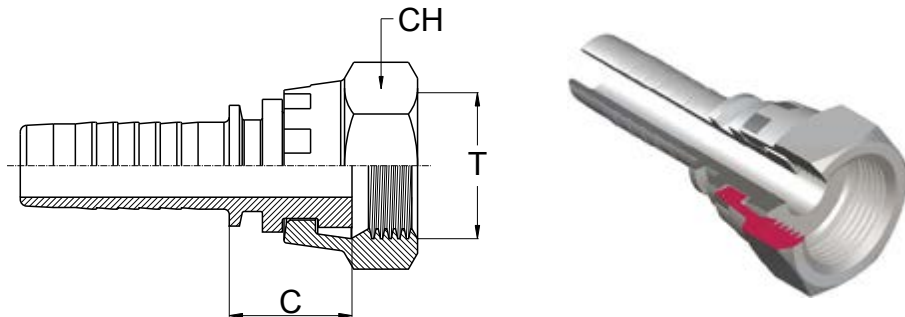
# EMBOUTS A SERTIR INOX POUR TUYAUX

## Embout à sertir mâle BSP à fond plat



Pression de service (bar)	Code	Filetage T	Ø intérieur tuyau	C	CH
450	62.021.0404.025	1/4"	1/4"	27	19
350	62.021.0506.025	3/8"	5/16"	29	22
450	62.021.0606.025	3/8"	3/8"	29	22
	62.021.0608.025	1/2"	3/8"	32	27
415	62.021.0808.025	1/2"	1/2"	32,5	27
	62.021.0810.025	5/8"	1/2"	33	30
350	62.021.1010.025	5/8"	5/8"	35	30
415	62.021.0812.025	3/4"	1/2"	35,5	32
	62.021.1012.025	3/4"	5/8"	37	32
350	62.021.1212.025	3/4"	3/4"	36,5	32
	62.021.1216.025	1"	3/4"	40,5	38
	62.021.1616.025	1"	1"	41,5	38
210	62.021.1620.025	1"1/4"	1"	45,5	50
	62.021.2020.025	1"1/4"	1"1/4"	46	50
184	62.021.2024.025	1"1/2"	1"1/4"	46	55
	62.021.2424.025	1"1/2"	1"1/2"	46,5	55
165	62.021.3232.025	2"	2"	50	70

## EMBOUITS A SERTIR INOX POUR TUYAUX Embout à sertir femelle BSP à fond plat

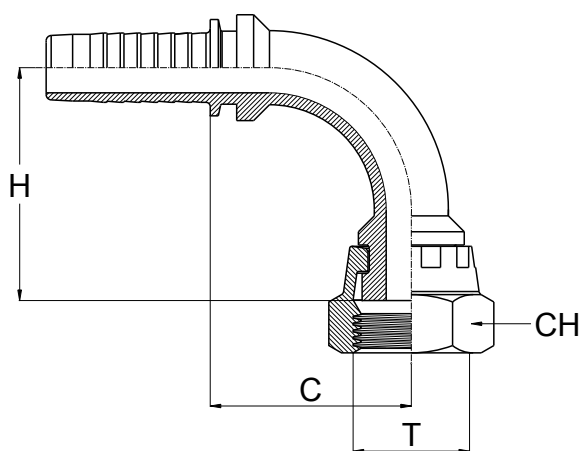


Pression de service (bar)	Code	Filetage T	Ø intérieur tuyau	C	CH
450	62.021.0404.032	1/4"	1/4"	15,5	19
	62.021.0504.032	1/4"	5/16"	16	19
	62.021.0406.032	3/8"	1/4"	16	22
350	62.021.0506.032	3/8"	5/16"	16	22
450	62.021.0606.032	3/8"	3/8"	16	22
	62.021.0608.032	1/2"	3/8"	18	27
415	62.021.0808.032	1/2"	1/2"	18,5	27
350	62.021.1008.032	1/2"	5/8"	20,5	27
415	62.021.0810.032	5/8"	1/2"	18,5	30
350	62.021.1010.032	5/8"	5/8"	20	30
415	62.021.0812.032	3/4"	1/2"	21	32
350	62.021.1012.032	3/4"	5/8"	24	32
	62.021.1212.032	3/4"	3/4"	22	32
	62.021.1216.032	1"	3/4"	23	38
280	62.021.1616.032	1"	1"	24	38
210	62.021.2016.032	1"	1"1/4	25	38
	62.021.1620.032	1"1/4	1"	24,5	50
	62.021.2020.032	1"1/4	1"1/4	25,5	50
185	62.021.2424.032	1"1/2	1"1/2	27	55
165	62.021.3232.032	2"	2"	28	70



# EMBOUS A SERTIR INOX POUR TUYAUX

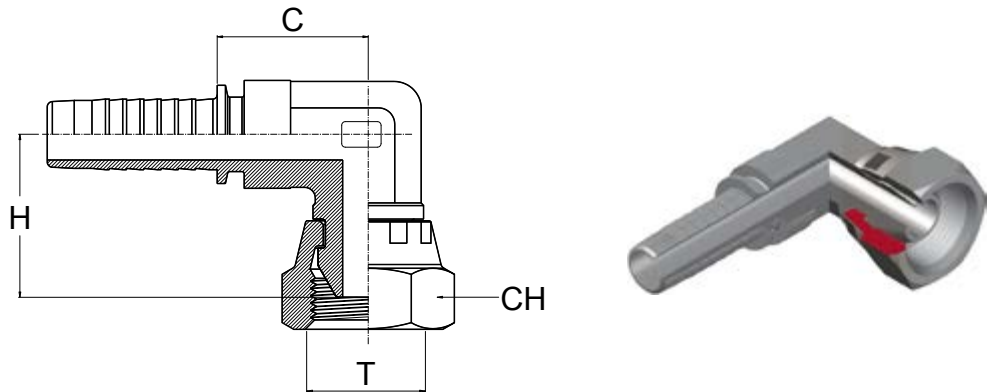
## Embout à sertir femelle BSP à fond plat coudé à 90°



Pression de service (bar)	Code	Filetage T	Ø intérieur tuyau	C	H	CH
450	62.021.0404.033	1/4"	1/4"	23,5	26,4	19
350	62.021.0504.033	1/4"	5/16"	25,5	24,4	19
450	62.021.0406.033	3/8"	1/4"	-	-	22
350	62.021.0506.033	3/8"	5/16"	25,5	33	22
450	62.021.0606.033	3/8"	3/8"	34,5	33	22
	62.021.0608.033	1/2"	3/8"	34,5	33	27
415	62.021.0808.033	1/2"	1/2"	37,5	40,5	27
350	62.021.1008.033	1/2"	5/8"	-	-	27
415	62.021.0810.033	5/8"	1/2"	-	-	30
350	62.021.1010.033	5/8"	5/8"	44,5	48,5	30
415	62.021.0612.033	3/4"	3/8"	35,5	44	32
	62.021.0812.033	3/4"	1/2"	37,5	44	32
350	62.021.1012.033	3/4"	5/8"	44,5	49	32
	62.021.1212.033	3/4"	3/4"	52,5	56	32
280	62.021.1616.033	1"	1"	52,5	71,5	38
210	62.021.2020.033	1"1/4	1"1/4	67,5	83	50
185	62.021.2424.033	1"1/2	1"1/2	-	-	55
165	62.021.3232.033	2"	2"	126	119	70

Disponible également en version coudée à 45°

**BSP (cône 60°) coudé à 90°**

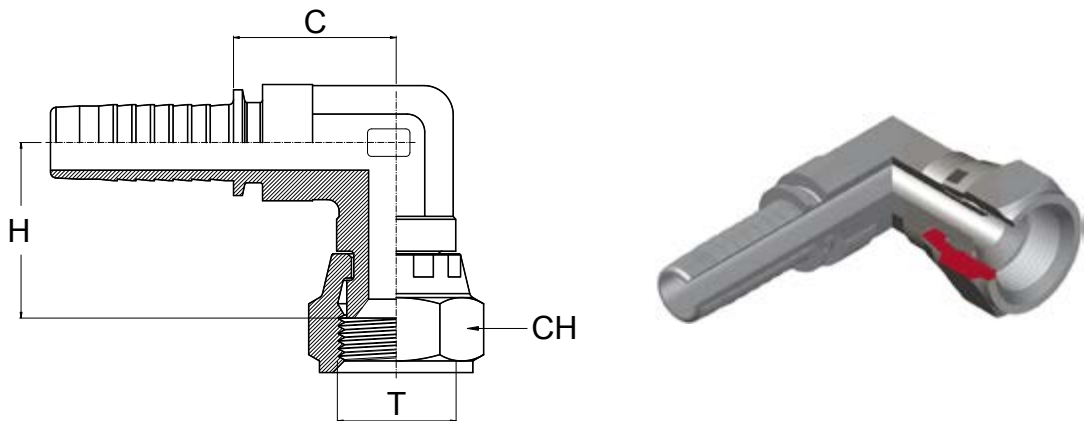


**BSP Cône 60° coudé à 90°**

Pression de service (bar)	Code	Filetage T	Ø intérieur tuyau	C	H	CH
480	62.021.0404.027	1/4"	1/4"	27	25	19
	62.021.0606.027	3/8"	3/8"	25	28,2	22
430	62.021.0808.027	1/2"	1/2"	28	30,2	27
380	62.021.1212.027	3/4"	3/4"	25	37	32
	62.021.1612.027	3/4"	1"	31	40	32
290	62.021.1616.027	1"	1"	31,5	43,5	38

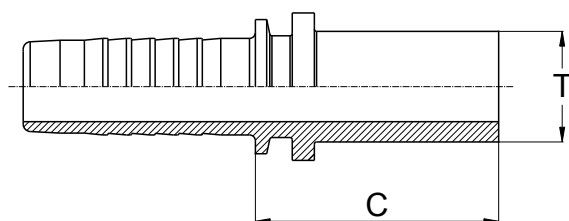
**JIC (cône 74°) coudé à 90°**

28



**JIC Cône 74° coudé à 90°**

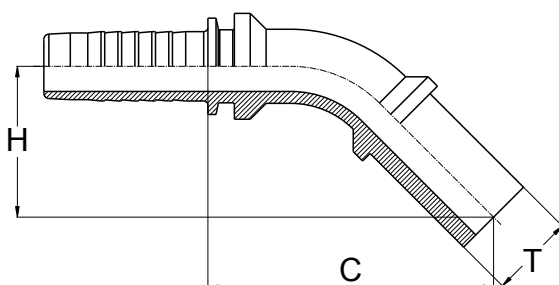
Pression de service (bar)	Code	Filetage T	Ø intérieur tuyau	C	H	CH
480	62.021.0404.056	7/16"	1/4"	27	25	17
	62.021.0606.056	9/16"	3/8"	25	28,2	19
430	62.021.0808.056	3/4"	1/2"	28	30,2	24
380	62.021.1212.056	1"1/16	3/4"	25	37	32
290	62.021.1616.056	1"5/16	1"	31,5	43,5	38



Pression de service (bar)	Code	Ø Tube T	Ø intérieur tuyau	C
415	62.021.0306.007	06 L/S	3/16"	29,5
320	62.021.0406.007	06 L/S	1/4"	29,5
415	62.021.0308.007	08 L/S	3/16"	29,5
450	62.021.0408.007	08 L/S	1/4"	29,5
320	62.021.0508.007	08 L/S	5/16"	29,5
350	62.021.0608.007	08 L/S	3/8"	32
	62.021.0310.007	10 L/S	3/16"	29,5
450	62.021.0410.007	10 L/S	1/4"	29,5
350	62.021.0510.007	10 L/S	5/16"	29,5
330	62.021.0610.007	10 L/S	3/8"	32
450	62.021.0412.007	12 L/S	1/4"	29,5
350	62.021.0512.007	12 L/S	5/16"	32
445	62.021.0612.007	12 L/S	3/8"	32
250	62.021.0812.007	12 L/S	1/2"	33
445	62.021.0414.007	14 S	1/4"	32
	62.021.0614.007	14 S	3/8"	32
415	62.021.0814.007	14 S	1/2"	33
	62.021.0816.007	16 S	1/2"	33
215	62.021.1216.007	16 S	3/4"	36
350	62.021.0820.007	20 S	1/2"	33
	62.021.1020.007	20 S	5/8"	35,5
215	62.021.1220.007	20 S	3/4"	36
350	62.021.1225.007	25 S	3/4"	39
165	62.021.1625.007	25 S	1"	50
250	62.021.1630.007	30 S	1"	50
210	62.021.2030.007	30 S	1"1/4	57,5
	62.021.2038.007	38 S	1"1/4	57,5
250	62.021.0615.007	15 L	3/8"	32
	62.021.0815.007	15 L	1/2"	33
160	62.021.0818.007	18 L	1/2"	33
	62.021.1018.007	18 L	5/8"	35,5
	62.021.1218.007	18 L	3/4"	36
	62.021.1022.007	22 L	5/8"	36
100	62.021.1222.007	22 L	3/4"	36
	62.021.1628.007	28 L	1"	40
	62.021.2035.007	35 L	1"1/4	47,5
	62.021.2442.007	42L	1"1/2	48

EMBOUITS A SERTIR INOX POUR TUYAUX

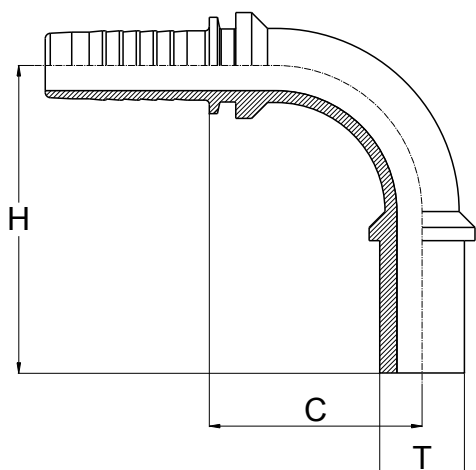
**Embout à sertir lisse séries L et S coudé à 45°**



Pression de service (bar)	Code	Ø Tube T	Ø intérieur tuyau	C	CH
415	62.021.0306.063	06 L/S	3/16"	48	27,5
320	62.021.0406.063	06 L/S	1/4"	48,5	23
415	62.021.0308.063	08 L/S	3/16"	-	-
450	62.021.0408.063	08 L/S	1/4"	-	-
320	62.021.0508.063	08 L/S	5/16"	-	-
350	62.021.0310.063	10 L/S	3/16"	-	-
450	62.021.0410.063	10 L/S	1/4"	46	23
350	62.021.0510.063	10 L/S	5/16"	-	-
330	62.021.0610.063	10 L/S	3/8"	63	26
450	62.021.0412.063	12 L/S	1/4"	48,5	22
350	62.021.0512.063	12 L/S	5/16"	-	-
445	62.021.0612.063	12 L/S	3/8"	63	26,5
250	62.021.0812.063	12 L/S	1/2"	74	26,5
445	62.021.0614.063	14 S	3/8"	-	-
415	62.021.0816.063	16 S	1/2"	74,5	26,5
350	62.021.1020.063	20 S	5/8"	73,5	33,5
215	62.021.1220.063	20 S	3/4"	-	-
350	62.021.1225.063	25 S	3/4"	-	-
165	62.021.1625.063	25 S	1"	118,2	48,5
250	62.021.1630.063	30 S	1"	-	-
210	62.021.2038.063	38 S	1"1/4	-	-
250	62.021.0815.063	15 L	1/2"	72	31,5
160	62.021.0818.063	18 L	1/2"	-	-
	62.021.1018.063	18 L	5/8"	-	-
	62.021.1222.063	22 L	3/4"	-	-
100	62.021.1628.063	28 L	1"	-	-
	62.021.2035.063	35 L	1"1/4	-	-
	62.021.2442.063	42L	1"1/2	176,5	55,5

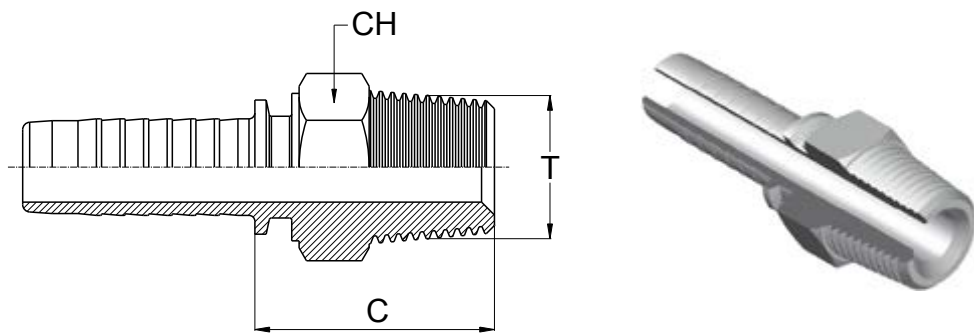
# EMBOUTS A SERTIR INOX POUR TUYAUX

## Embout à sertir lisse séries L et S coudé à 90°



Pression de service (bar)	Code	Ø Tube T	Ø intérieur tuyau	C	CH
415	62.021.0306.008	06 L/S	3/16"	23	39
320	62.021.0406.008	06 L/S	1/4"	25	40,5
415	62.021.0308.008	08 L/S	3/16"	25,7	40
450	62.021.0408.008	08 L/S	1/4"	25	40,5
320	62.021.0508.008	08 L/S	5/16"	22,5	40,5
350	62.021.0310.008	10 L/S	3/16"	23	3
450	62.021.0410.008	10 L/S	1/4"	24	39
350	62.021.0510.008	10 L/S	5/16"	23,5	40,5
330	62.021.0610.008	10 L/S	3/8"	34,5	47,5
450	62.021.0412.008	12 L/S	1/4"	23	39,5
350	62.021.0512.008	12 L/S	5/16"	25,5	39,5
445	62.021.0612.008	12 L/S	3/8"	34,5	46,5
250	62.021.0812.008	12 L/S	1/2"	37,5	58
445	62.021.0614.008	14 S	3/8"	34,5	46,5
415	62.021.0816.008	16 S	1/2"	40	56,5
350	62.021.1020.008	20 S	5/8"	38	60
215	62.021.1220.008	20 S	3/4"	53	74,5
350	62.021.1225.008	25 S	3/4"	55,5	70,5
165	62.021.1625.008	25 S	1"	64,5	87
250	62.021.1630.008	30 S	1"	66	92
210	62.021.2038.008	38 S	1"1/4	-	-
250	62.021.0815.008	15 L	1/2"	40,2	58,1
160	62.021.0818.008	18 L	1/2"	39,5	56,5
	62.021.1018.008	18 L	5/8"	43,5	60,5
	62.021.1222.008	22 L	3/4"	53,5	71
100	62.021.1628.008	28 L	1"	90	90,5
	62.021.2035.008	35 L	1"1/4	89	111,5
	62.021.2442.008	42L	1"1/2	106,5	122,5

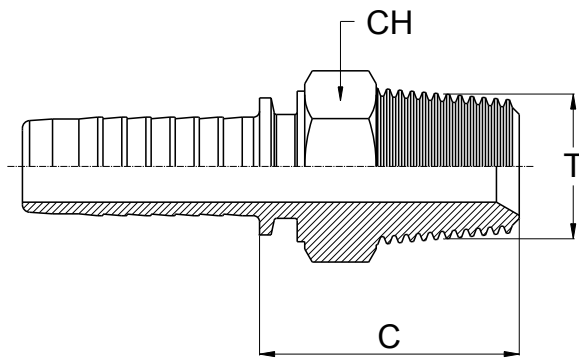
## EMBOUITS A SERTIR INOX POUR TUYAUX Embout à sertir mâle Gaz cône



Pression de service (bar)	Code	Filetage T	Ø intérieur tuyau	C	CH
415	62.021.0302.031	1/8"	3/16"	22,5	14
450	62.021.0402.031	1/8"	1/4"	22,5	14
415	62.021.0304.031	1/4"	3/16"	26,7	14
450	62.021.0404.031	1/4"	1/4"	27	14
350	62.021.0504.031	1/4"	5/16"	27,5	14
450	62.021.0604.031	1/4"	3/8"	27,3	17
	62.021.0406.031	3/8"	1/4"	28,6	19
350	62.021.0506.031	3/8"	5/16"	29	19
450	62.021.0606.031	3/8"	3/8"	29,5	19
415	62.021.0806.031	3/8"	1/2"	29	19
350	62.021.1006.031	3/8"	5/8"	29,5	22
415	62.021.0804.031	1/2"	1/4"	32	22
	62.021.0608.031	1/2"	3/8"	33	22
	62.021.0808.031	1/2"	1/2"	32,5	22
350	62.021.1008.031	1/2"	5/8"	28,5	22
	62.021.1208.031	1/2"	3/4"	36,5	27
	62.021.0812.031	3/4"	1/2"	35	27
	62.021.1012.031	3/4"	5/8"	36,3	27
	62.021.1212.031	3/4"	3/4"	36,5	27
280	62.021.1612.031	3/4"	1"	37,5	32
	62.021.1216.031	1"	3/4"	43,5	36
	62.021.1616.031	1"	1"	44,5	36
210	62.021.2016.031	1"	1"1/4	47	41
	62.021.1620.031	1"14	1"	47	46
	62.021.2020.031	1"14	1"1/4	48	46
185	62.021.2424.031	1"12	1"1/2	46	50
165	62.021.3232.031	2"	2"	49	65

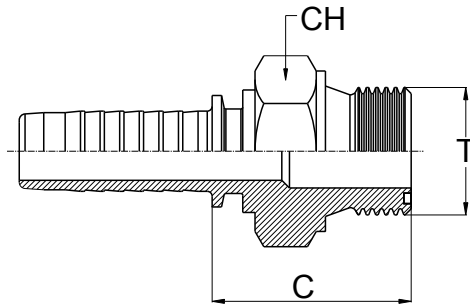
# EMBOUITS A SERTIR INOX POUR TUYAUX

## Embout à sertir NPT (Cône 60°)

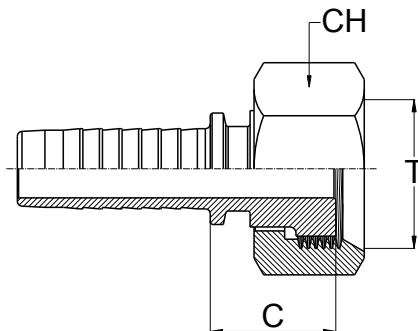


Pression de service (bar)	Code	Filetage T	Ø intérieur tuyau	C	CH
415	62.021.0302.030	1/8"	3/16"	24,5	14
450	62.021.0402.030	1/8"	1/4"	24,5	14
415	62.021.0304.030	1/4"	3/16"	29,1	14
450	62.021.0404.030	1/4"	1/4"	27,5	14
350	62.021.0504.030	1/4"	5/16"	28,5	14
450	62.021.0604.030	1/4"	3/8"	29,3	17
	62.021.0406.030	3/8"	1/4"	29	19
350	62.021.0506.030	3/8"	5/16"	29,3	19
450	62.021.0606.030	3/8"	3/8"	29,3	19
415	62.021.0806.030	3/8"	1/2"	29	19
350	62.021.1006.030	3/8"	5/8"	34,3	22
415	62.021.0408.030	1/2"	1/4"	34,6	22
	62.021.0608.030	1/2"	3/8"	35,1	22
	62.021.0808.030	1/2"	1/2"	34,5	22
350	62.021.1008.030	1/2"	5/8"	28,5	22
	62.021.1208.030	1/2"	3/4"	36,5	27
	62.021.0812.030	3/4"	1/2"	35	27
	62.021.1012.030	3/4"	5/8"	36,3	27
	62.021.1212.030	3/4"	3/4"	36,5	27
280	62.021.1612.030	3/4"	1"	37,5	32
	62.021.1216.030	1"	3/4"	43,5	36
	62.021.1616.030	1"	1"	44,5	36
210	62.021.2016.030	1"	1"1/4	47	41
	62.021.1620.030	1"1/4	1"	47	46
	62.021.2020.030	1"1/4	1"1/4	48	46
185	62.021.2424.030	1"1/2	1"1/2	46	50
165	62.021.3232.030	2"	2"	49	65

## EMBOUTS A SERTIR INOX POUR TUYAUX Embout à sertir mâle et femelle ORFS



Pression de service (bar)	Code	Filetage T	Ø intérieur tuyau	C	CH
450	62.021.0406.043	9/16"	1/4"	23,5	17
350	62.021.0509.043	11/16"	5/16"	27	19
445	62.021.0609.043	11/16"	3/8"	27	19
415	62.021.0811.043	13/16"	1/2"	29	22
350	62.021.1013.043	1"	5/8"	32,5	27
	62.021.1214.043	1"3/16	3/4"	36,5	32
280	62.021.1615.043	1"7/16	1"	40,5	41
210	62.021.2021.043	1"11/16	1"1/4	41,5	46
185	62.021.2432.043	2"	1"1/2	9	55



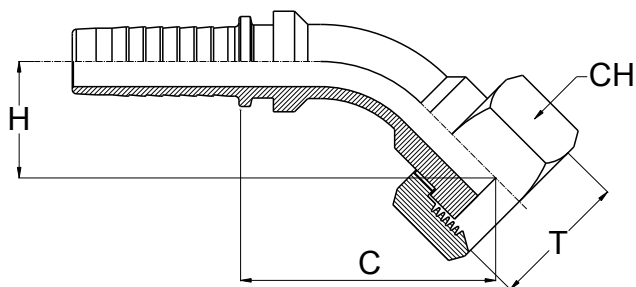
34

Pression de service (bar)	Code	Filetage T	Ø intérieur tuyau	C	CH
450	62.021.0406.044	9/16"	1/4"	16,7	19
350	62.021.0506.044	9/16"	5/16"	16,7	19
450	62.021.0409.044	11/16"	1/4"	19,3	22
350	62.021.0509.044	11/16"	5/16"	19,3	22
445	62.021.0609.044	11/16"	3/8"	19,3	22
	62.021.0611.044	13/16"	3/8"	19,3	24
415	62.021.0811.044	13/16"	1/2"	31,5	24
	62.021.0813.044	1"	1/2"	-	30
350	62.021.1013.044	1"	5/8"	20,5	30
	62.021.1213.044	1"	3/4"	30,5	30
415	62.021.0814.044	1"3/16	1/2"	30,5	36
350	62.021.1214.044	1"3/16	3/4"	36	36
	62.021.1215.044	1"7/16	3/4"	36	41
280	62.021.1615.044	1"7/16	1"	37	41
210	62.021.2021.044	1"11/16	1"1/4	37	50
185	62.021.2432.044	2"	1"1/2	36,5	60

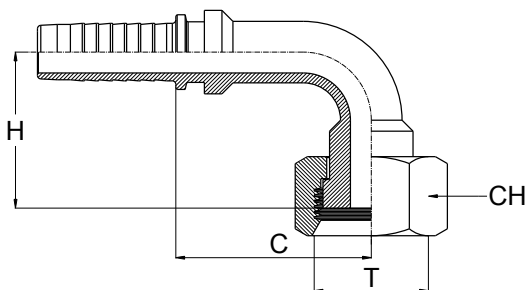


# EMBOUS A SERTIR INOX POUR TUYAUX

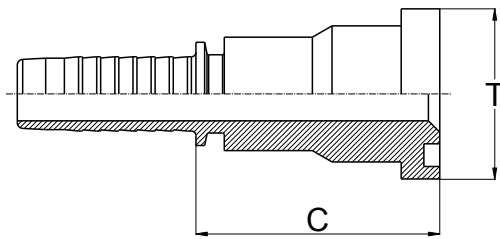
## Embout à sertir femelle ORFS coudé 45 et 90°



Pression de service (bar)	Code	Filetage T	Ø intérieur tuyau	C	H	CH
450	62.021.0406.046	9/16"	1/4"	39,5	18,5	19
	62.021.0409.046	11/16"	1/4"	-	-	22
350	62.021.0509.046	11/16"	5/16"	-	-	22
445	62.021.0609.046	11/16"	3/8"	52,5	22	22
	62.021.0611.046	13/16"	3/8"	-	-	24
415	62.021.0811.046	13/16"	1/2"	-	-	24
	62.021.0813.046	1"	1/2"	-	-	30
350	62.021.1013.046	1"	5/8"	-	-	30
	62.021.1214.046	1"3/16	3/4"	86	32,5	36
	62.021.1215.046	1"7/16	3/4"	-	-	41
280	62.021.1615.046	1"7/16	1"	108	42	41
210	62.021.2021.046	1"11/16	1"1/4	-	-	50
185	62.021.2432.046	2"	1"1/2	-	-	60



Pression de service (bar)	Code	Filetage T	Ø intérieur tuyau	C	H	CH
450	62.021.0406.045	9/16"	1/4"	21,5	28,5	19
350	62.021.0506.045	9/16"	5/16"	24,5	25,5	19
450	62.021.0409.045	11/16"	1/4"	37	36,8	22
350	62.021.0509.045	11/16"	5/16"	-	-	22
445	62.021.0609.045	11/16"	3/8"	34	37,7	22
	62.021.0611.045	13/16"	3/8"	-	-	24
415	62.021.0811.045	13/16"	1/2"	-	-	24
	62.021.0813.045	1"	1/2"	-	-	30
350	62.021.1013.045	1"	5/8"	46	49,5	30
	62.021.1014.045	1"3/16	5/8"	-	-	36
	62.021.1214.045	1"3/16	3/4"	53,5	60,5	36
	62.021.1215.045	1"7/16	3/4"	-	-	41
280	62.021.1615.045	1"7/16	1"	64,5	83	41
210	62.021.2021.045	1"11/16	1"1/4	81	97,5	50
185	62.021.2432.045	2"	1"1/2	-	-	60



**3000 PSI**

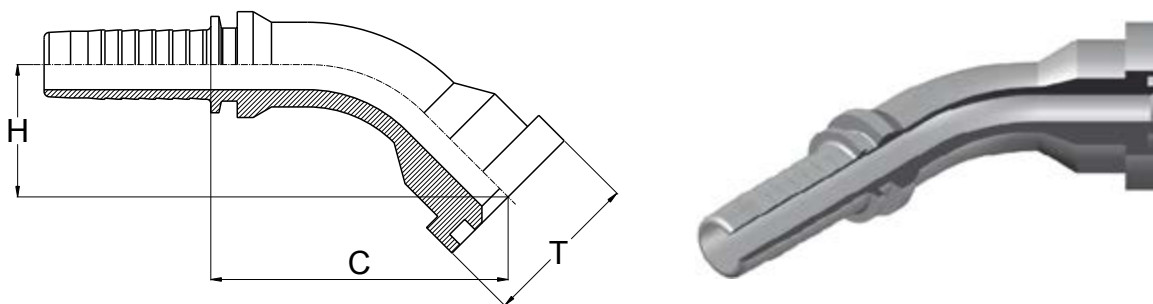
Pression de service (bar)	Code	Bride	Ø intérieur tuyau	T	H
350	62.021.0808.050	1/2"	1/2"	30,2	43
	62.021.0812.050	3/4"	1/2"	38,1	47
	62.021.1012.050	3/4"	5/8"	38,1	48,5
	62.021.1212.050	3/4"	3/4"	38,1	47,5
	62.021.1016.050	1"	5/8"	44,5	54,5
	62.021.1216.050	1"	3/4"	44,5	53,5
280	62.021.1616.050	1"	1"	44,5	54,5
	62.021.1620.050	1"1/4	1"	50,8	56,5
210	62.021.2020.050	1"1/4	1"1/4	50,8	57,5
280	62.021.1624.050	1"1/2	1"	60,3	56,5
210	62.021.2024.050	1"1/2	1"1/4	60,3	62,5
185	62.021.2424.050	1"1/2	1"1/2	60,3	63
-	62.021.2432.050*	2"	1"1/2	71,4	50,5
170	62.021.3232.050	2"	2"	71,4	63
-	62.021.3240.050*	2"1/2	2"	84,1	58
140	62.021.4040.050	2"1/2	2"1/2	84,1	60
90	62.021.4848.050	3"	3"	101,5	132

\* Soudé

**6000 PSI**

Pression de service (bar)	Code	Bride	Ø intérieur tuyau	T	C
415	62.021.0808.053	1/2"	1/2"	31,7	43
	62.021.0812.053	3/4"	1/2"	41,3	53
350	62.021.1012.053	3/4"	5/8"	41,3	54,5
	62.021.1212.053	3/4"	3/4"	41,3	53,5
	62.021.1016.053	1"	5/8"	47,6	59,5
	62.021.1216.053	1"	3/4"	47,6	58,5
280	62.021.1616.053	1"	1"	47,6	59,5
	62.021.1620.053	1"1/4	1"	54	66,5
210	62.021.2020.053	1"1/4	1"1/4	54	67,5
280	62.021.1624.053	1"1/2	1"	-	72,5
210	62.021.2024.053	1"1/2	1"1/4	63,5	72,5
185	62.021.2424.053	1"1/2	1"1/2	63,5	73
172	62.021.2432.053*	2"	1"1/2	79,4	-
	62.021.3232.053	2"	2"	79,4	68
* Soudé					

EMBOUITS A SERTIR INOX POUR TUYAUX  
**Embout à sertir coudé 45° Bride SAE 3000 et 6000 PSI**



**3000 PSI**

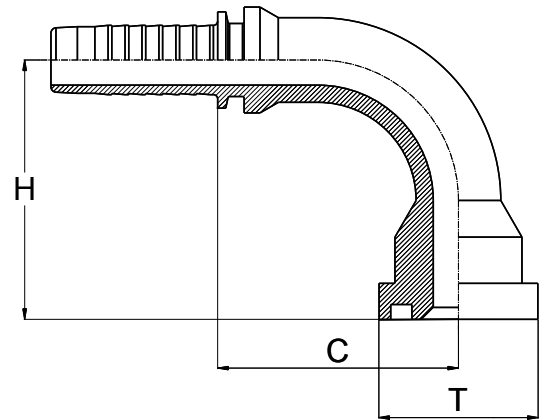
Pression de service (bar)	Code	Bride	Ø intérieur tuyau	T	C	H
350	62.021.0808.052	1/2"	1/2"	30,2	63,5	23
	62.021.0812.052	3/4"	1/2"	38,1	65,7	24
	62.021.1012.052	3/4"	5/8"	38,1	69	37
	62.021.1212.052	3/4"	3/4"	38,1	81	31
280	62.021.1216.052	1"	3/4"	44,5	81,5	31,5
	62.021.1616.052	1"	1"	44,5	102,5	32
210	62.021.1620.052	1"1/4	1"	50,8	-	-
	62.021.2020.052	1"1/4	1"1/4	50,8	132,5	39
185	62.021.2024.052	1"1/2	1"1/4	60,3	-	-
-	62.021.2424.052	1"1/2	1"1/2	60,3	171	46
-	62.021.2432.052	2"	1"1/2	71,4	-	-
170	62.021.3232.052	2"	2"	71,4	-	-
90	62.021.4040.052	2"1/2	2"1/2	84,1	-	-

\* Soudé

**6000 PSI**

Pression de service (bar)	Code	Bride	Ø intérieur tuyau	T	C	H
415	62.021.0808.055	1/2"	1/2"	31,7	67	25
	62.021.0812.055	3/4"	1/2"	41,3	-	-
350	62.021.1212.055	3/4"	3/4"	41,3	83,5	31
	62.021.1216.055	1"	3/4"	47,6	-	-
280	62.021.1616.055	1"	1"	47,6	-	-
	62.021.1620.055	1"1/4	1"	54	-	-
210	62.021.2020.055	1"1/4	1"1/4	54	128,5	36
	62.021.2024.055	1"1/2	1"1/4	63,5	-	-
185	62.021.2424.055	1"1/2	1"1/2	63,5	-	-
-	62.021.2432.055*	2"	1"1/2	79,4	-	-
172	62.021.3232.055	2"	2"	79,4	-	-

\* Soudé



**3000 PSI**

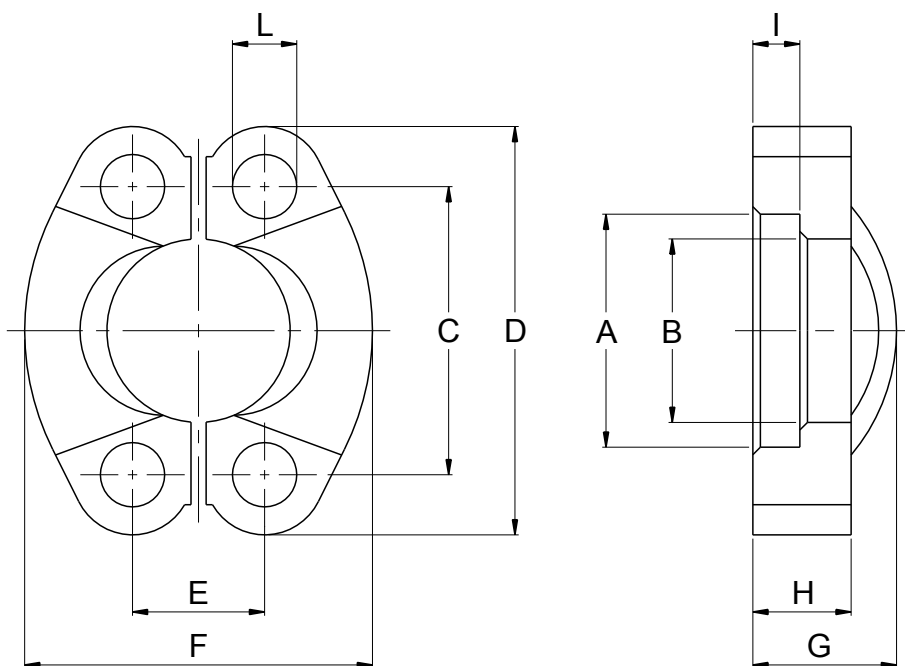
Pression de service (bar)	Code	Bride	Ø intérieur tuyau	T	C	H
350	62.021.0808.051	1/2"	1/2"	30,2	41	50,5
	62.021.0812.051	3/4"	1/2"	38,1	-	-
	62.021.1012.051	3/4"	5/8"	38,1	58	52
	62.021.1212.051	3/4"	3/4"	38,1	51	61,5
280	62.021.1216.051	1"	3/4"	44,5	50	65
	62.021.1616.051	1"	1"	44,5	65	70,5
210	62.021.1620.051	1"1/4	1"	50,8	69,8	86,2
	62.021.2020.051	1"1/4	1"1/4	50,8	83	95
185	62.021.2024.051	1"1/2	1"1/4	60,3	84,2	99
	62.021.2424.051	1"1/2	1"1/2	60,3	113	110
-	62.021.2432.051	2"	1"1/2	71,4	116,5	124
170	62.021.3232.051	2"	2"	71,4	-	-
90	62.021.4040.051	2"1/2	2"1/2	84,1	90	110
	62.021.4848.051	3"	3"	101,5	108	130,5

\* Soudé

**6000 PSI**

Pression de service (bar)	Code	Bride	Ø intérieur tuyau	T	C	H
415	62.021.0808.054	1/2"	1/2"	31,7	38,5	50
	62.021.0812.054	3/4"	1/2"	41,3	39,0	47,5
350	62.021.1212.054	3/4"	3/4"	41,3	49,0	63,0
	62.021.1216.054	1"	3/4"	47,6	51,5	59,5
280	62.021.1616.054	1"	1"	47,6	62,0	76,0
	62.021.1620.054	1"1/4	1"	54,0	71,5	86,0
210	62.021.2020.054	1"1/4	1"1/4	54,0	82,0	95,0
	62.021.2024.054	1"1/2	1"1/4	63,5	-	-
185	62.021.2424.054	1"1/2	1"1/2	63,5	111,0	118,0
-	62.021.2432.054*	2"	1"1/2	79,4	-	-
172	62.021.3232.054	2"	2"	79,4	121,0	128,0

\* Soudé



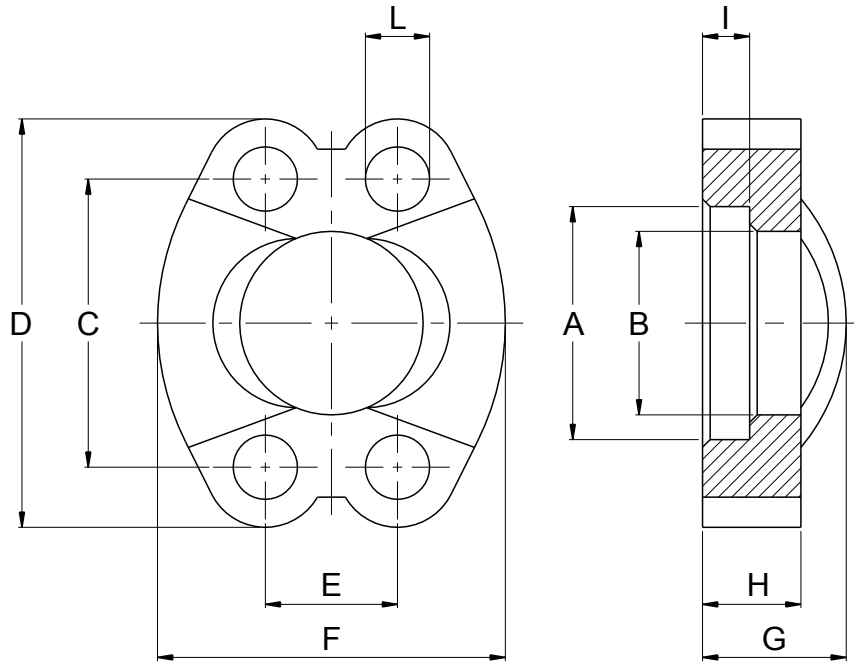
### 3000 PSI

Pression de service (bar)	Code	Pour bride	Dimensions en millimètre									
			A	B	C	D	E	F	G	H	I	L
345	200.203.87001I	1/2"	30,96	24,26	38,10	54,0	17,48	45,6	19	13	6,22	8,75
345	200.203.87002I	3/4"	38,89	32,13	47,63	65,0	22,23	51,8	22	14	6,22	10,75
345	200.203.87003I	1"	45,24	38,48	52,37	70,0	26,19	58,4	24	16	7,49	10,75
276	200.203.87004I	1"1/4	51,59	43,69	58,72	79,0	30,18	72,6	22	14	7,49	12
207	200.203.87005I	1"1/2	61,09	50,80	69,85	94,0	35,71	82,2	25	16	7,49	13,5
207	200.203.87006I	2"	72,24	62,74	77,77	102,0	42,88	96,4	26	16	9,02	13,5

### 6000 PSI

Pression de service (bar)	Code	Pour bride	Dimensions en millimètre									
			A	B	C	D	E	F	G	H	I	L
414	200.203.88001I	1/2"	32,54	24,64	40,49	56	18,24	47,2	22	16	7,24	8,75
	200.203.88002I	3/4"	42,06	32,51	50,80	71	23,80	60	28	19	8,26	11
	200.203.88003I	1"	48,41	38,86	57,15	81	27,76	69,6	33	24	9,02	13
	200.203.88004I	1"1/4	54,76	44,45	66,68	95	31,75	77,2	38	27	9,78	15
	200.203.88005I	1"1/2	64,29	51,56	79,38	113	36,50	95	43	30	12,07	17
	200.203.88006I	2"	80,16	67,56	96,82	133	44,45	113,8	52	37	12,07	21

## EMBOUITS A SERTIR INOX POUR TUYAUX Bride monobloc SAE 3000 et 6000 PSI



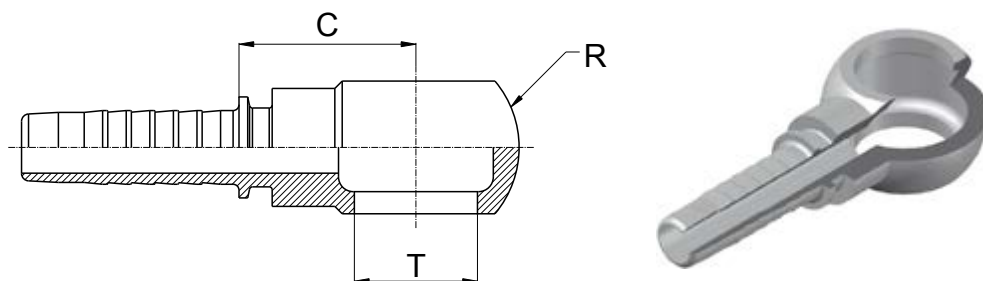
40

### 3000 PSI

Pression de service (bar)	Code	Pour bride	Dimensions en millimètre									
			A	B	C	D	E	F	G	H	I	L
345	200.203.I3012MI	1/2"	30,96	24,26	38,10	54,0	17,48	45,6	19	13	6,22	8,75
345	200.203.I3034MI	3/4"	38,89	32,13	47,63	65,0	22,23	51,8	22	14	6,22	10,75
345	200.203.I3100MI	1"	45,24	38,48	52,37	70,0	26,19	58,4	24	16	7,49	10,75
276	200.203.I3114MI	1"1/4	51,59	43,69	58,72	79,0	30,18	72,6	22	14	7,49	12
207	200.203.I3112MI	1"1/2	61,09	50,80	69,85	94,0	35,71	82,2	25	16	7,49	13,5
207	200.203.I3200MI	2"	72,24	62,74	77,77	102,0	42,88	96,4	26	16	9,02	13,5

### 6000 PSI

Pression de service (bar)	Code	Pour bride	Dimensions en millimètre									
			A	B	C	D	E	F	G	H	I	L
414	200.203.I6012MI	1/2"	32,54	24,64	40,49	56	18,24	47,2	22	16	7,24	8,75
	200.203.I6034MI	3/4"	42,06	32,51	50,80	71	23,80	60	28	19	8,26	11
	200.203.I6100MI	1"	48,41	38,86	57,15	81	27,76	69,6	33	24	9,02	13
	200.203.I6114MI	1"1/4	54,76	44,45	66,68	95	31,75	77,2	38	27	9,78	15
	200.203.I6112MI	1"1/2	64,29	51,56	79,38	113	36,50	95	43	30	12,07	17
	200.203.I6200MI	2"	80,16	67,56	96,82	133	44,45	113,8	52	37	12,07	21

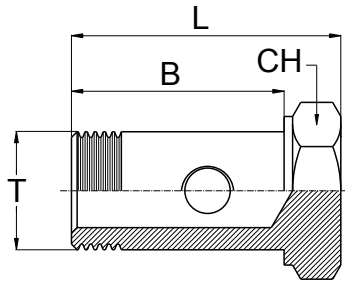


**pour vis série gaz**

Pression de service (bar)	Code	Filetage T	Ø intérieur tuyau	R	C
300	62.021.0304.048	1/4"	3/16"	24	24
	62.021.0404.048	1/4"	1/4"	24	24
	62.021.0406.048	3/8"	1/4"	28	24
	62.021.0506.048	3/8"	5/16"	28	24,5
280	62.021.0606.048	3/8"	3/8"	28	24
	62.021.0408.048	1/2"	1/4"	38	27,5
	62.021.0608.048	1/2"	3/8"	38	27,5
200	62.021.0808.048	1/2"	1/2"	38	28
	62.021.1212.048	3/4"	3/4"	45	38,5
120	62.021.1616.048	1"	1"	58	51,5

**pour vis série métrique**

Pression de service (bar)	Code	Filetage T	Ø intérieur tuyau	R	C
300	62.021.0412.018	12x1,5	1/4"	20	24
	62.021.0414.018	14x1,5	1/4"	24	24
	62.021.0514.018	14x1,5	5/16"	24	24
280	62.021.0614.018	14x1,5	3/8"	24	24
300	62.021.0516.018	16x1,5	5/16"	28	24,5
280	62.021.0616.018	16x1,5	3/8"	28	24
	62.021.0618.018	18x1,5	3/8"	32	24
250	62.021.0818.018	18x1,5	1/2"	32	28
200	62.021.0822.018	22x1,5	1/2"	36	28
	62.021.1226.018	26x1,5	3/4"	45	38,5
120	62.021.1230.018	30x1,5	3/4"	54	38,5

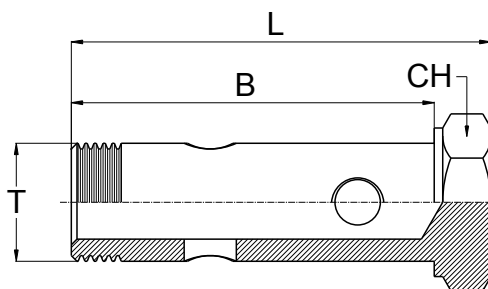


**Série gaz**

Pression de service (bar)	Code	Filetage T	B	L	CH
300	561.018.R1345I	1/8"	23	30	14
	561.014.R1345I	1/4"	27,5	34,5	19
	561.038.R1345I	3/8"	31	40	22
	561.012.R1345I	1/2"	37,5	47,5	27
280	561.034.R1345I	3/4"	47	59	32
	561.100.R1345I	1"	58	70	41
120	561.114.R1345I	1"1/4	-	-	50

**Série métrique**

Pression de service (bar)	Code	Filetage T	B	L	CH
300	561.1215.R1390I	12x1,5	24	31	17
	561.1415.R1390I	14x1,5	31	40	19
	561.1615.R1390I	16x1,5	31	40	22
	561.1815.R1390I	18x1,5	36	45	24
280	561.2215.R1390I	22x1,5	-	-	27
	561.2615.R1390I	26x1,5	-	-	32
120	561.3015.R1390I	30x1,5	-	-	36

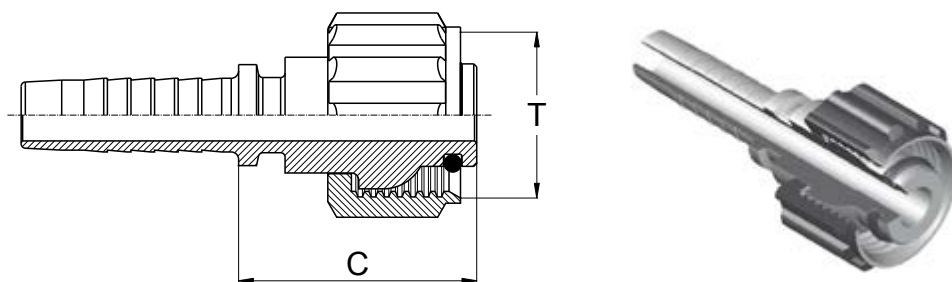


**Vis double Série gaz**

Pression de service (bar)	Code	Filetage T	B	L	CH
300	561.014.R2390I	1/4"	42	52	19
280	561.038.R2390I	3/8"	50	59	22
200	561.012.R2390I	1/2"	64	74	27
	561.034.R2390I	3/4"	-	-	32
120	561.100.R2390I	1"	-	-	41

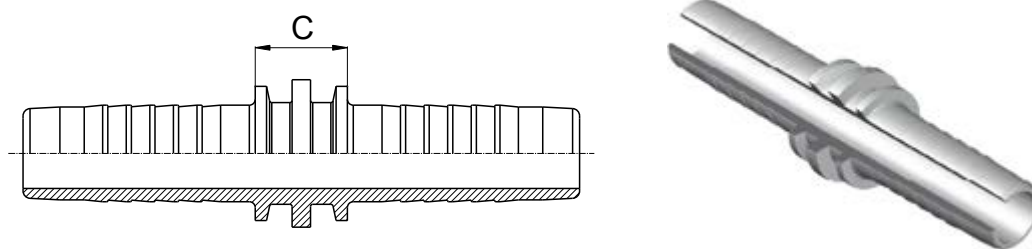


## Embout à sertir femelle 22x150 pour nettoyeur haute pression / Jonction



Pression de service (bar)	Code	Filetage T	Ø intérieur tuyau	C
450	62.021.0422.047	22x1,5	1/4"	34,5
350	62.021.0522.047	22x1,5	5/16"	35,5
315	62.021.0622.047	22x1,5	3/8"	35,5
	62.021.0822.047	22x1,5	1/2"	35,5

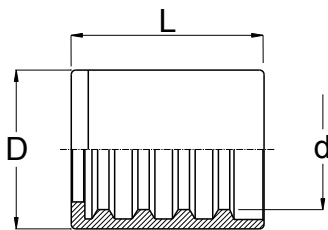
## Embout à sertir - jonction



Pression de service (bar)	Code	Ø intérieur tuyau	C
450	62.021.0404.001	1/4"	12,5
350	62.021.0505.001	5/16"	12,5
445	62.021.0606.001	3/8"	12,5
415	62.021.0808.001	1/2"	12,5
350	62.021.1010.001	5/8"	17
	62.021.1212.001	3/4"	14,5
280	62.021.1616.001	1"	17
210	62.021.2020.001	1"1/4	19
185	62.021.2424.001	1"1/2	20
165	62.021.3232.001	2"	21
120	62.021.4040.001	2"1/2	24
70	62.021.4848.001	3"	28

EMBOUTS A SERTIR INOX POUR TUYAUX

Jupe pour 1SN, 1SC et 2TE / Jupe universelle



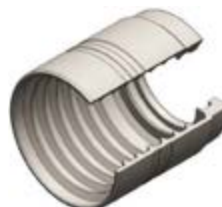
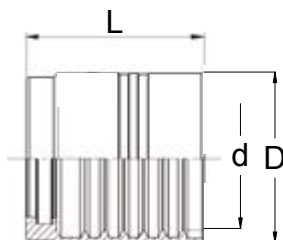
Code	Ø intérieur tuyau	D	d	L
62.011.003.03	3/16"	19	12,8	29,5
62.011.003.04	1/4"	20	14	30
62.011.003.05	5/16"	22	16	30
62.011.003.06	3/8"	24	17,6	32,5
62.011.003.08	1/2"	28	21,2	34
62.011.003.10	5/8"	32	24,9	40
62.011.003.12	3/4"	35	28,7	42
62.011.003.16	1"	45	37	48
62.011.003.20	1"1/4	55	44,6	56
62.011.003.24	1"1/2	60	51,2	63
62.011.003.32	2"	76,2	64,6	76
62.011.003.40*	2"1/2	87	77,8	76
62.011.003.48*	3"	102	92	76

Type de tuyau	Dénudage
R1AT	Non
1SC	Non
2TE	Non
R1A	Oui

Seulement pour 1SC et 2SC

Jupe universelle

44



Code	Ø intérieur tuyau	D	d	L
62.011.001.03	3/16"	20	14,4	29,5
62.011.001.04	1/4"	22	16	30
62.011.001.05	5/16"	24	17,5	32
62.011.001.06	3/8"	26	19,6	32
62.011.001.08	1/2"	30	23	34
62.011.001.10	5/8"	33	26,1	38
62.011.001.12	3/4"	38	30,2	42
62.011.001.16	1"	46	38,7	48
62.011.001.20	1"1/4	60	49	56
62.011.001.24	1"1/2	65	55,5	63
62.011.001.32	2"	80	68,5	74

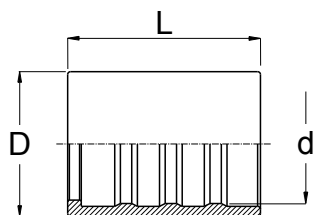
Seulement pour 2SN et 2SC

Type de tuyau	Dénudage
R1AT	Non
R2AT	Non
1SC	Non
2SC	Non
4SP	Oui
4SH	Oui
R12	Oui
R13	Oui
R15	Oui
Alfabiotech	Oui

Nouvelles jupes universelles :  
Une jupe par diamètre quelque soit le type de tuyaux utilisé.

Fiables : Leur profil interne assure toujours une étanchéité parfaite en particulier lors de l'utilisation avec les tuyaux 4SP et 4SH.

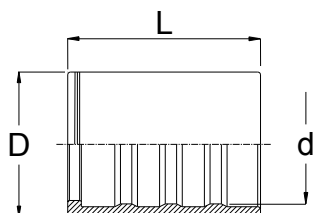
Economiques : Diminution du stock, une seule référence pour une taille de tuyaux.



Jupe pour tuyaux :

- SAE 100 R7 (EN855 R7)
- SAE 100 R 8 (EN 855 R8)
- SAE 100 R 6 (EN 854 1TE)
- SAE 100 R 1 (MHT1)

Code	Ø intérieur tuyau	D	d	L
62.011.006.02	1/8"	12	9	24
62.011.006.03	3/16"	14	10,7	26
62.011.006.04	1/4"	17	13,6	29,5
62.011.006.05	5/16"	19	15,2	30
62.011.006.06	3/8"	21	16,8	31
62.011.006.08	1/2"	25,5	21	34
62.011.006.10	5/8"	28,5	24	37
62.011.006.12	3/4"	32	27,5	42
62.011.006.16	1"	43,5	36	48

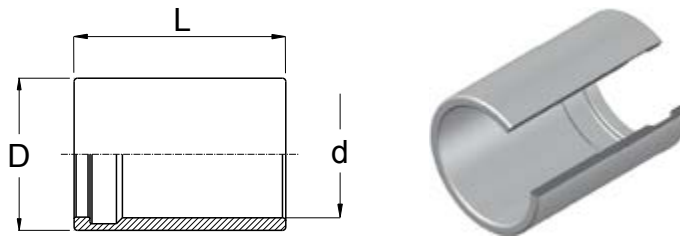


Jupe pour tuyaux :

- SAE 100 R 3 (EN 854 R3)
- SAE 100 R 4 (EN 854 3TE)

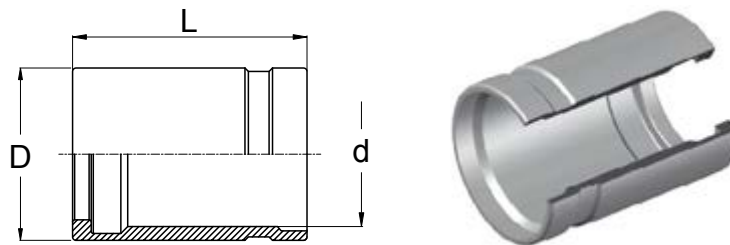
Code	Ø intérieur tuyau	D	d	L
62.011.023.03	3/16"	*	*	*
62.011.023.04	1/4"	19	15,3	29,5
62.011.023.05	5/16"	22	18,5	30
62.011.023.06	3/8"	24	19,9	31
62.011.023.08	1/2"	28,5	25	34
62.011.023.10	5/8"	32	28	37
62.011.023.12	3/4"	38	32,6	42
62.011.023.16	1"	46	39,5	48
62.011.023.20	1"1/4	52	46	56
62.011.023.24	1"1/2	60	53	63
62.011.023.32	2"	76	65	76

**Jupe pour PTFE lisse**



Code	Ø intérieur tuyau	D	d	L
62.071.014.04	1/8"	12	8	24
62.071.014.05	3/16"	12	9,1	25,5
62.071.014.06	1/4"	14	11,3	29,5
62.071.014.08	5/16"	17	13,5	32
62.071.014.10	3/8"	19	15,7	32
62.071.014.13	1/2"	23	19,2	32
62.071.014.16	5/8"	27	21,6	37
62.071.014.19	3/4"	30	25,2	43
62.071.014.25	1"	37	32	48

**Jupe pour PTFE convoluté**



Code	Ø intérieur tuyau	D	d	L
62.071.023.03	1/4"	16	12,5	29,5
62.071.023.04	5/16"	17	13	30
62.071.023.05	3/8"	21,5	17,8	31
62.071.023.06	1/2"	25	21	34
62.071.023.10	5/8"	29	24,5	37
62.071.023.12	3/4"	34	29	42
62.071.023.16	1"	40	34,8	48
62.071.023.20	1"1/4	48	42	56
62.071.023.24	1"1/2	55	49	63
62.071.023.32	2"	69	63	74

Pour les tuyaux convolutés, nous vous suggérons d'enrouler le raccord sur sa longueur avec 2 tours de ruban PTFE avant l'insertion dans le tuyau.